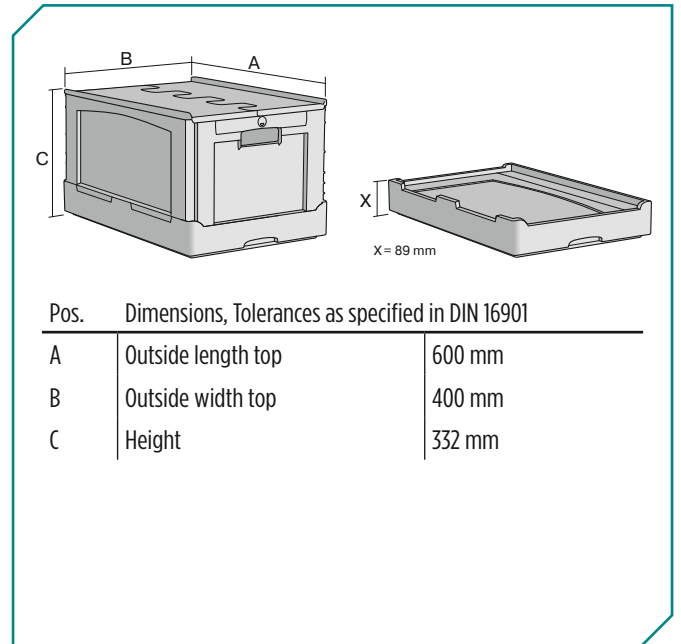
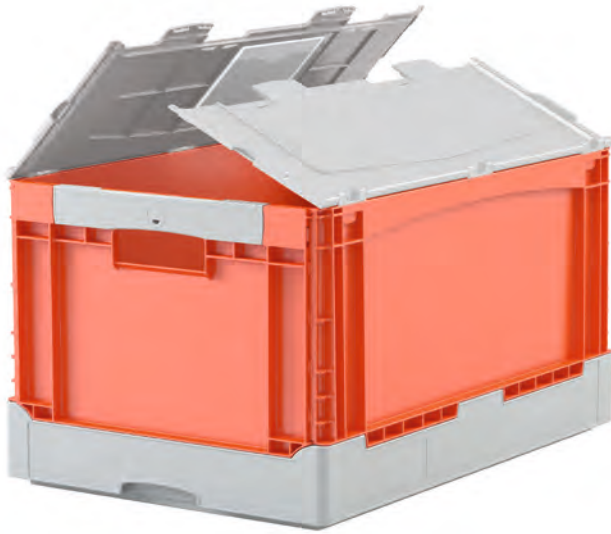


Folding boxes EQ - with grip opening, with ribbed base and with hinged two-part lid

EQD64321R | Data sheet



Features	*Load capacity as specified in EN 13117
Proper weight	3.37 kg
*Stacking load	180 kg
*Load capacity	50 kg
Volume	61 Litres
Warranty	5 year BITO QUALITY
ESD	No
Temperature range	-20°C to +90°C
Food safety	✓
Material	PP
Stock item	-
Pcs/pack	1
Colour	orange/grey
Ref. no.	51-31465

Other colours / special colours on request

Dimensions, Tolerances as specified in DIN 16901	
Outside length top	600 mm
Outside width top	400 mm
Height	332 mm
Inside length top	568 mm
Inside width top	368 mm
Inside length base	566 mm
Inside width base	366 mm
Inside height	295 mm

Information & Service
www.bitocom

BITO
 STORAGE
 SYSTEMS

Folding boxes EQ - with grip opening, with ribbed base and with hinged two-part lid **EQD64321R** | Accessories



Transport dolly

polypropylene wheels
L 620 x W 420 mm

43-1491



Drop-on lids

suited for BITO folding boxes EQ
L 592 x W 392 mm

51-31437



Security seals

suited for BITO folding boxes EQ

51-31438



Document pockets

self-adhesive
3 sides open
L 175 x W 105 mm

6-5031

Information & Service
www.bitto.com

BITO
S T O R A G E
S Y S T E M S