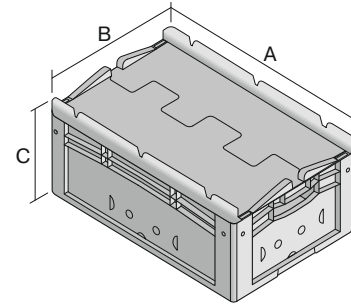


European size stacking containers XL, with hinged two-part lid

XLD86421 | Data sheet



Pos. Dimensions, Tolerances as specified in DIN 16901

| | | |
|---|--------------------|--------|
| A | Outside length top | 800 mm |
| B | Outside width top | 600 mm |
| C | Height | 438 mm |

| Features | *Load capacity as specified in EN 13117 |
|-------------------|---|
| Proper weight | 8.52 kg |
| *Stacking load | 800 kg |
| *Load capacity | 60 kg |
| Volume | 170 Litres |
| Warranty | 5 year BITO QUALITY |
| ESD | ESD version upon request |
| Temperature range | -20°C to +90°C |
| Food safety | ✓ |
| Material | PP |
| Stock item | ✓ |
| Pcs/pack | 1 |
| Colour | blue |
| Ref. no. | 43-22561 |

Other colours / special colours on request

| Dimensions, Tolerances as specified in DIN 16901 | |
|--|--------|
| Outside length top | 800 mm |
| Outside width top | 600 mm |
| Height | 438 mm |
| Inside length top | 762 mm |
| Inside width top | 562 mm |
| Inside height | 415 mm |

| Printed message | |
|--|--------------|
| Pad printing area on short side (front) | 100 x 180 mm |
| Pad printing area on short side (rear) | 100 x 180 mm |
| Pad printing area on long side | 100 x 180 mm |
| Hot foil printing area on short side (front) | 100 x 180 mm |
| Hot foil printing area on short side (rear) | 100 x 180 mm |
| Hot foil printing area on long side | 100 x 180 mm |
| Injection mold printing area on long side | 25 x 100 mm |

Information & Service
www.bitto.com

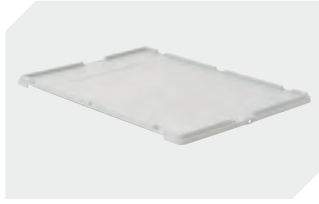


European size stacking containers XL, with hinged two-part lid

XLD86421 | Accessories



Transport dolly
for containers sized 800 x 600 mm
L 800 x W 600 mm
43-1150



Drop-on lid
for European size stacking containers XL
L 800 x W 600 mm
43-14853



Security seals
MBP2 - suited for BITOBOX MB
6-15705



Covers for palletised containers
L 1220 x W 820 mm
9-18421