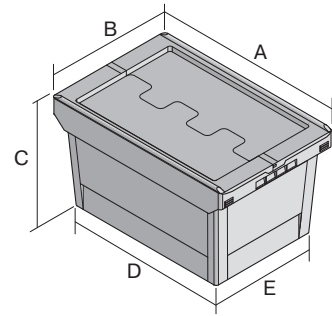


# Multi-purpose containers MB - Mail custom solution, with hinged two-part lid

## MBD43271POST | Data sheet



Pos. Dimensions, tolerances as specified in DIN 16901

Pos.	Dimensions, tolerances as specified in DIN 16901	
A	Outside length top	410 mm
B	Outside width top	300 mm
C	Height	290 mm
D	Base length outside	318 mm
E	Base width outside	240 mm

Product features	*Load capacity as specified in EN 13117
Weight	1.72 kg
*Load capacity	25 kg
Volume	22 litres
ESD	No
Food safety	-
Material	PP
Stock item	✓
Pcs/pack	1
colour	daffodil yellow
Ref. no.	6-17265

Other colours / special colours on request

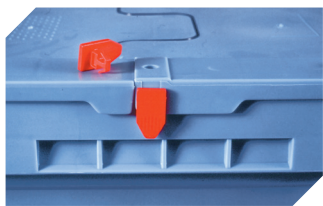
Dimensions, tolerances as specified in DIN 16901	
Outside length top	410 mm
Outside width top	300 mm
Height	290 mm
Inside length top	349 mm
Inside width top	271 mm
Inside length base	313 mm
Inside width base	235 mm
Inside height	250 mm

Information & Service  
[www.bitto.com](http://www.bitto.com)

**BITO**  
 STORAGE  
 SYSTEMS

# Multi-purpose containers MB - Mail custom solution, with hinged two-part lid

## **MBD43271POST** | Accessories



### **Security seals**

MBP1 - suited for BITOBOX MB

**6-10810**



### **Transport dollies**

for multi-purpose containers sized  
800 x 400 mm and 800 x 600 mm  
L 720 x W 540 mm

**6-19439**



### **Locking clips**

suited for BITOBOX MB

**6-20299**



### **Barcoded security seals**

MBP3 - suited for BITOBOX MBs in all  
sizes and XLs 800 x 600 mm

**6-31550**