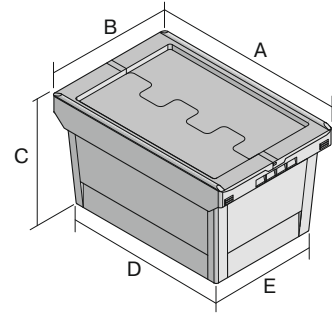


# Multi-purpose containers MB with ribbed base, with hinged two-part lid

## MBD86321R | Data sheet



Pos. Dimensions, tolerances as specified in DIN 16901

Pos.	Dimensions, tolerances as specified in DIN 16901	
A	Outside length top	800 mm
B	Outside width top	600 mm
C	Height	353 mm
D	Base length outside	690 mm
E	Base width outside	508 mm

Product features	*Load capacity as specified in EN 13117
Proper weight	7.38 kg
*Stacking load	300 kg
*Load capacity	75 kg
Volume	109 Litres
Warranty	5 year BITO QUALITY
ESD	ESD version upon request
Temperature range	-20°C to +90°C
Food safety	✓
Material	PP
Stock item	✓
Pcs/pallet	26
Pcs/pack	1
Colour	dove blue
Ref. no.	6-15250

Other colours / special colours on request

Dimensions, tolerances as specified in DIN 16901	
Outside length top	800 mm
Outside width top	600 mm
Height	353 mm
Inside length base	682 mm
Inside width base	500 mm
Height of stacking rim	50 mm

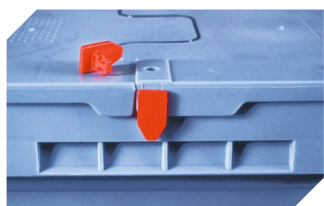
Printed message	
Pad printing area on short side (front)	250 x 100 mm
Pad printing area on short side (rear)	250 x 100 mm
Pad printing area on long side	250 x 100 mm
Screen printing area on short side	430 x 130 mm
Screen printing area on short side (rear)	430 x 130 mm
Screen printing area on long side	600 x 140 mm
Hot foil printing area on short side (front)	250 x 100 mm
Hot foil printing area on short side (rear)	250 x 100 mm
Hot foil printing area on long side	250 x 100 mm
Injection mold printing area on long side	245 x 90 mm

Information & Service  
[www.bitto.com](http://www.bitto.com)

**BITO**  
 STORAGE  
 SYSTEMS

# Multi-purpose containers MB with ribbed base, with hinged two-part lid

## MBD86321R | Accessories



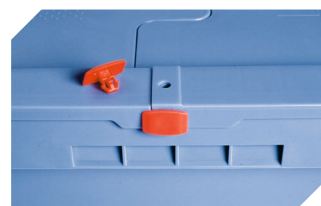
**Security seals**  
MBP1 - suited for BITOBOX MB  
**6-10810**



**Label covers**  
for multi-purpose containers MB  
W 60 x H 80.4 mm  
**6-15244**



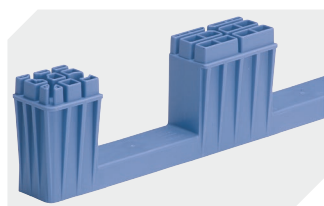
**Connector clips**  
**6-15625**



**Security seals**  
MBP2 - suited for BITOBOX MB  
**6-15705**



**Security seals**  
MBP2-N - suited for BITOBOX MB,  
XL, SL  
**6-19162**



**Add-on fork entry shoes**  
for multi-purpose containers MB  
L 800 x W 600 mm  
**6-19330**



**Transport dolly**  
for multi-purpose containers sized  
800 x 400 mm and 800 x 600 mm  
L 720 x W 540 mm  
**6-19439**



**Locking clips**  
suited for BITOBOX MB  
**6-20299**



**Document pockets**  
self-adhesive  
2 sides open  
L 145 x W 100 mm  
**46-21108**



**Barcoded security seals**  
MBP3 - suited for BITOBOX MB and XL  
800 x 600 mm  
**6-31550**



**Document pockets**  
self-adhesive  
3 sides open  
L 175 x W 105 mm  
**6-5031**