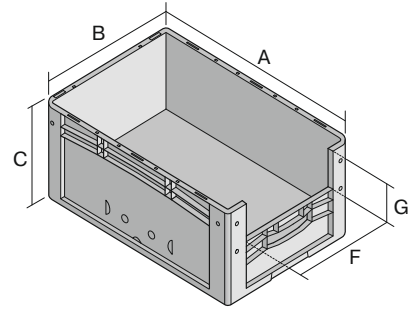


European size stacking containers XL, with short side pick opening

XL43224 | Data sheet



Pos.	Dimensions, Tolerances as specified in DIN 16901	
A	Outside length top	400 mm
B	Outside width top	300 mm
C	Height	220 mm
F	Width of view and pick opening	212 mm
G	Height of view and pick opening	106 mm

Features	*Load capacity as specified in EN 13117
Proper weight	1.10 kg
*Stacking load	200 kg
*Load capacity	20 kg
Volume	19 Litres
Warranty	5 year BITO QUALITY
ESD	ESD version upon request
Temperature range	-20°C to +90°C
Food safety	✓
Material	PP
Stock item	✓
Pcs/pack	1
Colour	red
Ref. no.	43-14981

Dimensions, Tolerances as specified in DIN 16901	
Outside length top	400 mm
Outside width top	300 mm
Height	220 mm
Inside length top	368 mm
Inside width top	268 mm
Inside height	217 mm
Pick opening W x H	212 x 106 mm

Other colours / special colours on request



European size stacking containers XL, with short side pick opening

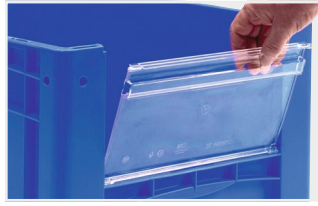
XL43224 | Accessories



Labels
W 210 x H 74 mm
43-14557



Transport dolly
polypropylene wheels
L 620 x W 420 mm
43-1491



Windows
for European size stacking
containers XL
43-18584



Label covers
for European size stacking
containers XL and small parts
containers KLT
W 209 x H 67 mm
9-20053



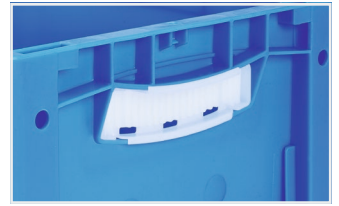
Drop-on lids
for European size stacking
containers XL
L 400 x W 300 mm
43-20303



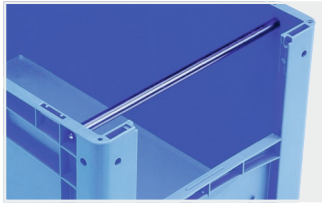
Drop-on lids
for European size stacking
containers XL
L 400 x W 300 mm
43-20498



Transport dolly
rubber wheels
L 620 x W 420 mm
43-21883



Grip closures
suited for bins with a height of 170,
220 and 270 mm
43-31450



Handles
for European size stacking
containers XL
for European size stacking
containers BN
L 267 mm
43-9409