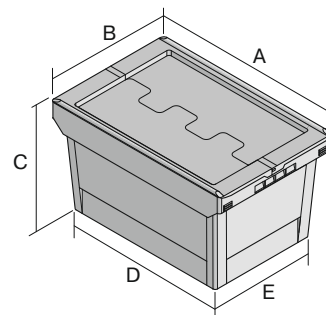


Multi-purpose containers MB - Mail custom solution, with hinged two-part lid

MBD43271POST | Data sheet



Pos. Dimensions, tolerances as specified in DIN 16901

Pos.	Dimensions, tolerances as specified in DIN 16901	
A	Outside length top	410 mm
B	Outside width top	300 mm
C	Height	290 mm
D	Base length outside	318 mm
E	Base width outside	240 mm

Product features *Load capacity as specified in EN 13117

Proper weight	1.71 kg
*Load capacity	25 kg
Volume	22 Litres
ESD	No
Food safety	-
Material	PP
Stock item	-
Pcs/pack	1
Colour	RAL 1007 Daffodil yellow
Ref. no.	6-17265

Other colours / special colours on request

Dimensions, tolerances as specified in DIN 16901

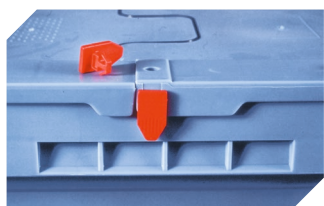
Outside length top	410 mm
Outside width top	300 mm
Height	290 mm

Information & Service
www.bito.com

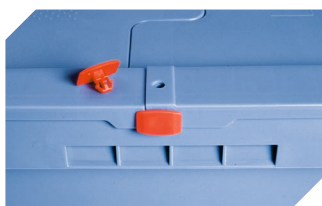
BITO
 STORAGE
 SYSTEMS

Multi-purpose containers MB - Mail custom solution, with hinged two-part lid

MBD43271POST | Accessories



Security seals
MBP1 - suited for BITOBOX MB
6-10810



Security seals
MBP2 - suited for BITOBOX MB
6-15705



Security seals
MBP2-N - suited for BITOBOX MB,
XL, SL
6-19162



Transport dolly
for multi-purpose containers sized
800 x 400 mm and 800 x 600 mm
L 720 x W 540 mm
6-19439



Locking clips
suited for BITOBOX MB
6-20299



Barcoded security seals
MBP3 - suited for BITOBOX MB and XL
800 x 600 mm
6-31550