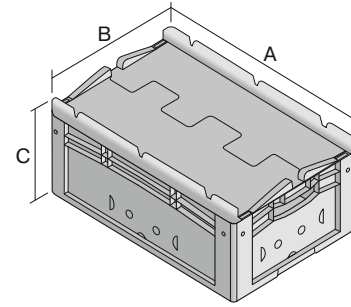


European size stacking containers XL, with hinged two-part lid

XLD64421 | Data sheet



Pos. Dimensions, Tolerances as specified in DIN 16901

| Pos. | Dimensions, Tolerances as specified in DIN 16901 | |
|------|--|--------|
| A | Outside length top | 600 mm |
| B | Outside width top | 400 mm |
| C | Height | 438 mm |

| Features | *Load capacity as specified in EN 13117 |
|-------------------|---|
| Proper weight | 3.92 kg |
| *Stacking load | 300 kg |
| *Load capacity | 20 kg |
| Volume | 84 Litres |
| Warranty | 5 year BITO QUALITY |
| ESD | ESD version upon request |
| Temperature range | -20°C to +90°C |
| Food safety | ✓ |
| Material | PP |
| Stock item | ✓ |
| Pcs/pack | 1 |
| Colour | blue |
| Ref. no. | 43-18507 |

Other colours / special colours on request

| Dimensions, Tolerances as specified in DIN 16901 | |
|--|--------|
| Outside length top | 600 mm |
| Outside width top | 400 mm |
| Height | 438 mm |
| Inside length top | 568 mm |
| Inside width top | 368 mm |
| Inside length base | 559 mm |
| Inside width base | 359 mm |
| Inside height | 416 mm |

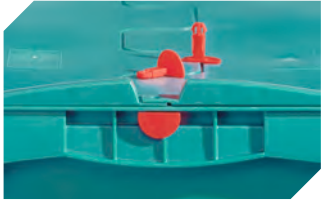
| Printed message | |
|--|--------------|
| Pad printing area on short side (front) | 100 x 250 mm |
| Pad printing area on short side (rear) | 100 x 250 mm |
| Pad printing area on long side | 100 x 250 mm |
| Hot foil printing area on short side (front) | 100 x 250 mm |
| Hot foil printing area on short side (rear) | 100 x 250 mm |
| Hot foil printing area on long side | 100 x 250 mm |
| Injection mold printing area on long side | 25 x 100 mm |

Information & Service
www.bitto.com

BITO
 STORAGE
 SYSTEMS

European size stacking containers XL, with hinged two-part lid

XLD64421 | Accessories



Security seals
for European size stacking containers XL
and small parts containers KLT
9-16271



Covers for palletised containers
L 1220 x W 820 mm
9-18421



Drop-on lids
for European size stacking containers XL
L 600 x W 400 mm
43-20301



Drop-on lids
for European size stacking containers XL
L 600 x W 400 mm
43-20494



Transport dolly
rubber wheels
L 620 x W 420 mm
43-21883



Grip closures
suited for bins with a height of 320
and 420 mm
43-31448