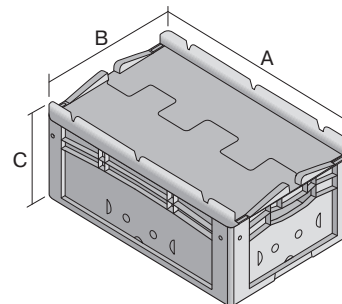


European size stacking containers XL with ribbed base RX, with hinged two-part lid XLD64171RX | Data sheet



Pos. Dimensions, tolerances as specified in DIN 16901

A	Outside length top	600 mm
B	Outside width top	400 mm
C	Height	188 mm

Product features

Weight	2.84 kg
*Stacking load	300 kg
Volume	28 litres
Warranty	5 year BITO QUALITY
ESD	ESD version upon request
Temperature range	-20°C to +80°C
Food safety	✓
Material	PP
Stock item	✓
Pcs/pack	1
colour	blue
Ref. no.	43-30268

Dimensions, tolerances as specified in DIN 16901

Outside length top	600 mm
Outside width top	400 mm
Height	188 mm
Inside length top	568 mm
Inside width top	368 mm
Inside length base	559 mm
Inside width base	359 mm
Inside height	152 mm

Printed message

Pad printing area on long side	30 x 250 mm
Hot foil printing area on long side	30 x 250 mm
Injection mold printing area on long side	25 x 195 mm

Other colours / special colours on request

All written or verbal information about product properties and product application are given to the best of our knowledge. This information is based on our experience and cannot be warranted as the sole binding product properties. It is the customer's responsibility to check whether the ordered goods are suitable for the intended use. All measurements are subject to variations within the scope of the applicable manufacturing tolerances.

* Load capacity data according to EN 13117 refer to an ambient temperature of 23 °C.

Information & Service
www.bitto.com

BITO
STORAGE
SYSTEMS

European size stacking containers XL with ribbed base RX, with hinged two-part lid XLD64171RX | Accessories



Security seals

for European size stacking containers XL
and small parts containers KLT
9-16271



Covers for palletised loads

L 1220 x W 820 mm
9-18421



Transport dollies

rubber wheels
L 620 x W 420 mm
43-21883



Grip closures

for European size stacking containers XL
with a height of 170, 220 and 270 mm
43-31450