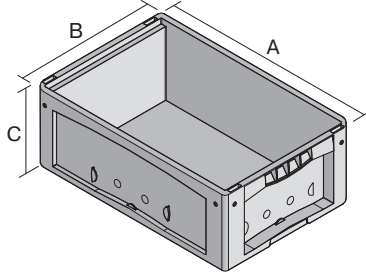


# Small parts containers KLT with ribbed base, with hinged two-part lid

## KLTD64420R | Data sheet

Pos.	Dimensions, tolerances as specified in DIN 16901	
A	Outside length top	600 mm
B	Outside width top	400 mm
C	Height	438 mm

### Product features

Weight	5.06 kg
*Stacking load	500 kg
*Load capacity	50 kg
Volume	74 litres
Warranty	5 year BITO QUALITY
ESD	ESD version upon request
Temperature range	-20°C to +80°C
Food safety	✓
Material	PP
Stock item	✓
Pcs/pack	1
colour	turquoise
Ref. no.	9-16820

Other colours / special colours on request

All written or verbal information about product properties and product application are given to the best of our knowledge. This information is based on our experience and cannot be warranted as the sole binding product properties. It is the customer's responsibility to check whether the ordered goods are suitable for the intended use. All measurements are subject to variations within the scope of the applicable manufacturing tolerances.

\* Load capacity data according to EN 13117 refer to an ambient temperature of 23 °C.

### Dimensions, tolerances as specified in DIN 16901

Outside length top	600 mm
Outside width top	400 mm
Height	438 mm
Inside length top	541 mm
Inside width top	368 mm
Inside height	400 mm

Information & Service  
[www.bito.com](http://www.bito.com)

**BITO**  
 STORAGE  
 SYSTEMS

# Small parts containers KLT with ribbed base, with hinged two-part lid KLTD64420R | Accessories



## Labels

suited for BITOBOX XL and KLT with a height of at least 170 mm

W 210 x H 74 mm

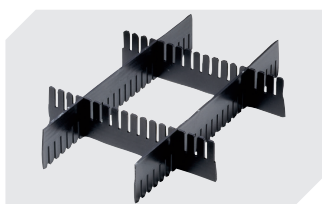
**43-14557**



## Security seals

for European size stacking containers XL and small parts containers KLT

**9-16271**



## Slot-in divider strips

Material thickness 5 mm

L 1150 x H 50 mm

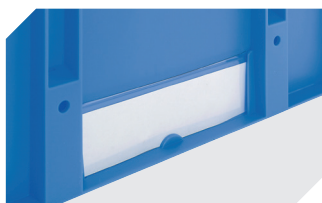
**43-18417**



## Covers for palletised loads

L 1220 x W 820 mm

**9-18421**



## Label covers

for European size stacking containers XL and small parts containers KLT

W 209 x H 67 mm

**9-20053**



## Label covers

for small parts containers KLT

for European size stacking containers XL

firm fit

W 218 x H 80 mm

**9-20054**



## Transport dollies

rubber wheels

L 620 x W 420 mm

**43-21883**



## Document pockets

self-adhesive

3 sides open

L 175 x W 105 mm

**6-5031**