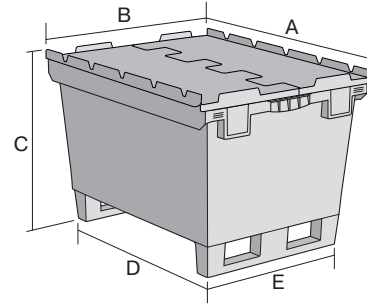


Multi-purpose containers MB with ribbed base, with hinged interlocking lid and fork entry shoes

MBD86421RKUFE | Data sheet



Pos. Dimensions, tolerances as specified in DIN 16901

Pos.	Dimensions, tolerances as specified in DIN 16901	
A	Outside length top	800 mm
B	Outside width top	600 mm
C	Height	523 mm
D	Base length outside	671 mm
E	Base width outside	490 mm

Product features	*Load capacity as specified in EN 13117
Weight	9.72 kg
*Stacking load	300 kg
*Load capacity	75 kg
Volume	147 litres
Warranty	5 year BITO QUALITY
ESD	ESD version upon request
Temperature range	-20°C to +80°C
Food safety	✓
Material	PP
Stock item	✓
Pcs/pack	1
colour	dove blue
Ref. no.	6-15318

Other colours / special colours on request

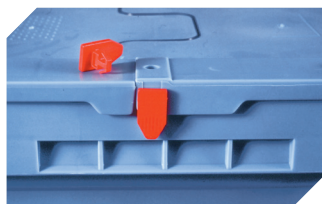
Dimensions, tolerances as specified in DIN 16901	
Outside length top	800 mm
Outside width top	600 mm
Height	523 mm
Inside length top	742 mm
Inside width top	560 mm
Inside length base	682 mm
Inside width base	500 mm
Inside height	388 mm

Information & Service
www.bitto.com

BITO
LAGERTECHNIK

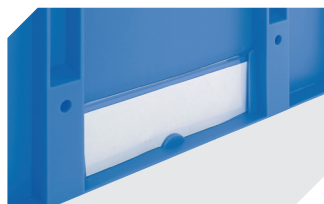
Multi-purpose containers MB with ribbed base, with hinged interlocking lid and fork entry shoes

MBD86421RKUFE | Accessories



Security seals

MBP1 - suited for BITOBOX MB
6-10810



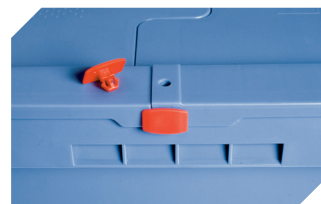
Label covers

for multi-purpose containers MB
W 60 x H 80.4 mm
6-15244



Barcoded security seals

MBP3 - suited for BITOBOX MBs in all
sizes and XLs 800 x 600 mm
6-31550



Security seals

MBP2 - suited for BITOBOX MB
6-15705



Security seals

MBP2-L - suited for BITOBOX MB,
XL, SL
6-19162



Transport dollies

for multi-purpose containers sized
800 x 400 mm and 800 x 600 mm
L 720 x W 540 mm
6-19439



Locking clips

suited for BITOBOX MB
6-20299