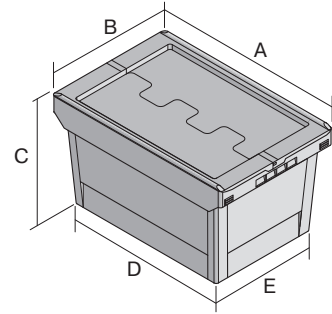


# Multi-purpose containers MB, with hinged interlocking lid suited for strap-sealing MBDU64221 | Data sheet



Pos. Dimensions, tolerances as specified in DIN 16901

| Pos. | Dimensions, tolerances as specified in DIN 16901 |        |
|------|--|--------|
| A    | Outside length top                               | 610 mm |
| B    | Outside width top                                | 400 mm |
| C    | Height   | 249 mm |
| D    | Base length outside                              | 505 mm |
| E    | Base width outside                               | 335 mm |

| Product features  | *Load capacity as specified in EN 13117 |
|-------------------|---|
| Weight            | 2.89 kg                                 |
| *Stacking load    | 200 kg                                  |
| *Load capacity    | 30 kg                                   |
| Volume            | 38 litres                               |
| Warranty          | 5 year BITO QUALITY                     |
| ESD               | ESD version upon request                |
| Temperature range | -20°C to +80°C                          |
| Food safety       | ✓                                       |
| Material          | PP                                      |
| Stock item        | ✓                                       |
| Pcs/pallet        | 96                                      |
| Pcs/pack          | 1                                       |
| colour            | dove blue                               |
| Ref. no.          | 6-16131                                 |

Other colours / special colours on request

Dimensions, tolerances as specified in DIN 16901

|                        |        |
|------------------------|--------|
| Outside length top     | 610 mm |
| Outside width top      | 400 mm |
| Height                 | 249 mm |
| Inside length top      | 540 mm |
| Inside width top       | 371 mm |
| Inside length base     | 498 mm |
| Inside width base      | 329 mm |
| Height of stacking rim | 50 mm  |

Printed message

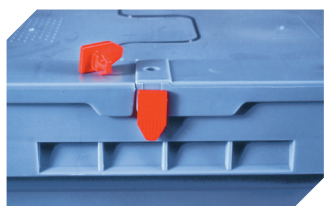
|  |             |
|--|-------------|
| Pad printing area on short side (front)      | 240 x 90 mm |
| Pad printing area on short side (rear)       | 240 x 90 mm |
| Pad printing area on long side               | 250 x 90 mm |
| Screen printing area on short side           | 210 x 50 mm |
| Screen printing area on short side (rear)    | 210 x 50 mm |
| Screen printing area on long side            | 380 x 60 mm |
| Hot foil printing area on short side (front) | 240 x 90 mm |
| Hot foil printing area on short side (rear)  | 240 x 90 mm |
| Hot foil printing area on long side          | 250 x 90 mm |
| Injection mold printing area on long side    | 235 x 25 mm |

Information & Service  
[www.bitto.com](http://www.bitto.com)

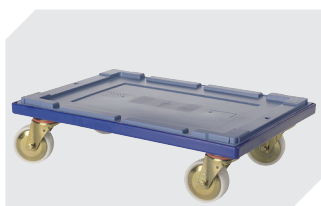
**BITO**  
STORAGE  
SYSTEMS

# Multi-purpose containers MB, with hinged interlocking lid suited for strap-sealing

## MBDU64221 | Accessories



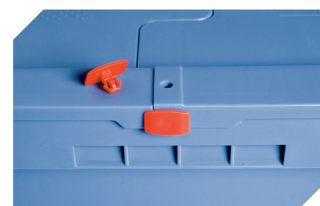
**Security seals**  
MBP1 - suited for BITOBOX MB  
**6-10810**



**Transport dollies**  
for multi-purpose containers sized  
600 x 400 mm  
L 620 x W 420 mm  
**6-15510**



**Connector clips**  
**6-15625**



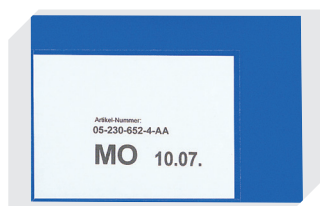
**Security seals**  
MBP2 - suited for BITOBOX MB  
**6-15705**



**Security seals**  
MBP2-L - suited for BITOBOX MB,  
XL, SL  
**6-19162**



**Locking clips**  
suited for BITOBOX MB  
**6-20299**



**Document pockets**  
self-adhesive  
2 sides open  
L 145 x W 100 mm  
**46-21108**



**Barcoded security seals**  
MBP3 - suited for BITOBOX MBs in all  
sizes and XLs 800 x 600 mm  
**6-31550**



**Document pockets**  
self-adhesive  
3 sides open  
L 175 x W 105 mm  
**6-5031**