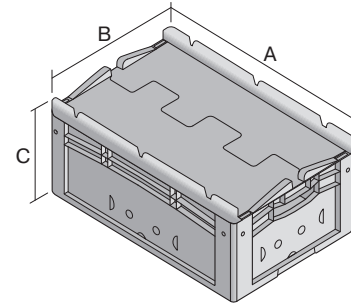
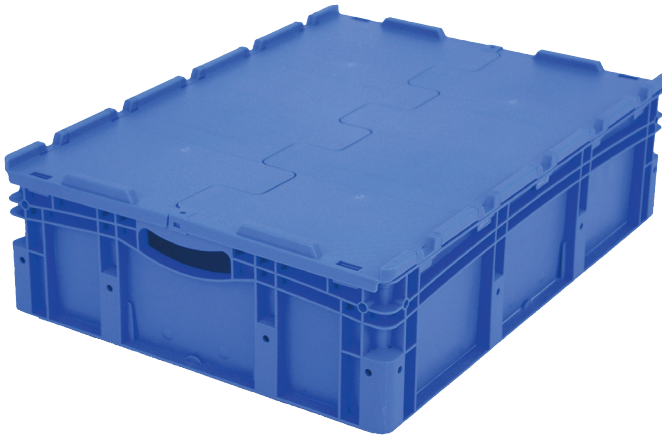


European size stacking containers XL with double base, with hinged two-part lid

XLD86221D | Data sheet



Pos. Dimensions, tolerances as specified in DIN 16901

A	Outside length top	800 mm
B	Outside width top	600 mm
C	Height	238 mm

Product features	*Load capacity as specified in EN 13117
Weight	7.41 kg
*Stacking load	800 kg
*Load capacity	200 kg
Volume	79 litres
Warranty	5 year BITO QUALITY
ESD	No
Temperature range	-20°C to +60°C
Food safety	-
Material	PP
Stock item	✓
Pcs/pack	1
colour	bins in blue - double base in dark grey/black
Ref. no.	43-22602

Other colours / special colours on request

Dimensions, tolerances as specified in DIN 16901	
Outside length top	800 mm
Outside width top	600 mm
Height	238 mm
Inside length top	762 mm
Inside width top	562 mm
Inside height	201 mm

Printed message	
Pad printing area on short side (front)	40 x 180 mm
Pad printing area on short side (rear)	40 x 180 mm
Pad printing area on long side	70 x 180 mm
Hot foil printing area on short side (front)	40 x 180 mm
Hot foil printing area on short side (rear)	40 x 180 mm
Hot foil printing area on long side	70 x 180 mm
Injection mold printing area on long side	25 x 100 mm

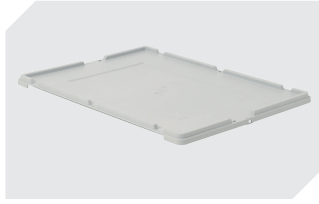
Information & Service
www.bitto.com

BITO
 LAGERTECHNIK

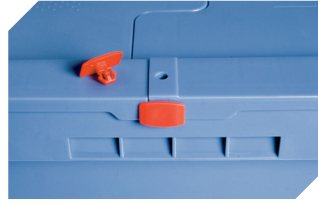
European size stacking containers XL with double base, with hinged two-part lid **XLD86221D** | Accessories



Transport dolly
for containers sized 800 x 600 mm
L 800 x W 600 mm
43-1150



Drop-on lid
for European size stacking containers XL
L 800 x W 600 mm
43-14853



Security seals
MBP2 - suited for BITOBOX MB
6-15705



Covers for palletised loads
L 1220 x W 820 mm
9-18421