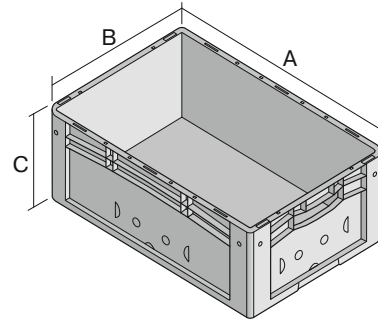
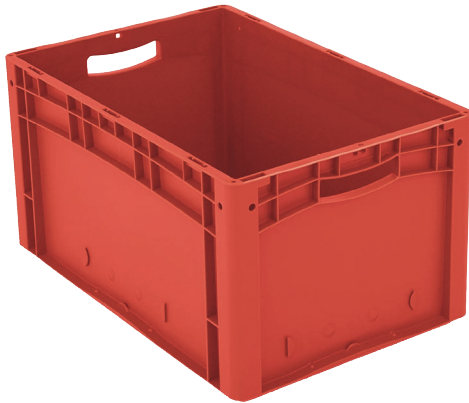


# European size stacking containers XL, standard version

## XL64321 | Data sheet



Pos.	Dimensions, Tolerances as specified in DIN 16901	
A	Outside length top	600 mm
B	Outside width top	400 mm
C	Height	320 mm

Features	*Load capacity as specified in EN 13117
Proper weight	2.41 kg
*Stacking load	300 kg
*Load capacity	20 kg
Volume	62 Litres
Warranty	5 year BITO QUALITY
ESD	ESD version upon request
Temperature range	-20°C to +90°C
Food safety	✓
Material	PP
Stock item	✓
Pcs/pack	1
Colour	red
Ref. no.	43-14512

Dimensions, Tolerances as specified in DIN 16901	
Outside length top	600 mm
Outside width top	400 mm
Height	320 mm
Inside length top	568 mm
Inside width top	368 mm
Inside length base	559 mm
Inside width base	359 mm
Inside height	316 mm

Other colours / special colours on request

Printed message	
Pad printing area on short side (front)	100 x 250 mm
Pad printing area on short side (rear)	100 x 250 mm
Pad printing area on long side	100 x 250 mm
Hot foil printing area on short side (front)	100 x 250 mm
Hot foil printing area on short side (rear)	100 x 250 mm
Hot foil printing area on long side	100 x 250 mm
Injection mold printing area on long side	25 x 100 mm

# European size stacking containers XL, standard version

## XL64321 | Accessories



**Covers for palletised containers**  
L 1220 x W 820 mm  
**9-18421**



**Drop-on lids**  
for European size stacking  
containers XL  
L 600 x W 400 mm  
**43-20301**



**Transport dolly**  
rubber wheels  
L 620 x W 420 mm  
**43-21883**



**Grip closures**  
suited for bins with a height of 320  
and 420 mm  
**43-31448**