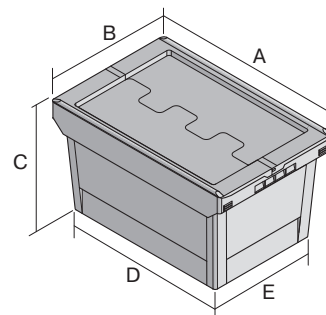


Multi-purpose containers MB - Mail custom solution, with hinged two-part lid

MBD43221POST | Data sheet



Pos. Dimensions, tolerances as specified in DIN 16901

Pos.	Dimensions, tolerances as specified in DIN 16901	
A	Outside length top	410 mm
B	Outside width top	300 mm
C	Height	240 mm
D	Base length outside	318 mm
E	Base width outside	240 mm

Product features

Product features	*Load capacity as specified in EN 13117
Weight	1.48 kg
*Load capacity	20 kg
Volume	18 litres
ESD	No
Food safety	-
Material	PP
Stock item	✓
Pcs/pack	1
colour	daffodil yellow
Ref. no.	6-17264

Other colours / special colours on request

Dimensions, tolerances as specified in DIN 16901

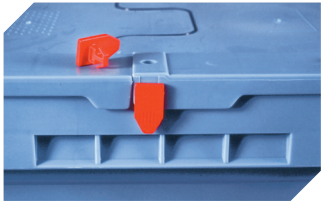
Dimensions, tolerances as specified in DIN 16901	
Outside length top	410 mm
Outside width top	300 mm
Height	240 mm
Inside length top	349 mm
Inside width top	271 mm
Inside length base	313 mm
Inside width base	235 mm

Information & Service
www.bito.com

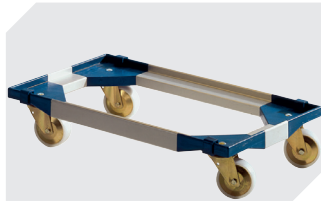
BITO
 STORAGE
 SYSTEMS

Multi-purpose containers MB - Mail custom solution, with hinged two-part lid

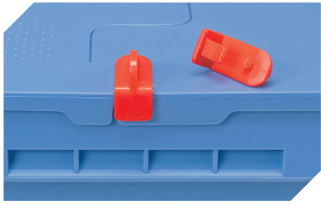
MBD43221POST | Accessories



Security seals
MBP1 - suited for BITOBOX MB
6-10810



Transport dollies
for multi-purpose containers sized
800 x 400 mm and 800 x 600 mm
L 720 x W 540 mm
6-19439



Locking clips
suited for BITOBOX MB
6-20299



Barcoded security seals
MBP3 - suited for BITOBOX MBs in all
sizes and XLs 800 x 600 mm
6-31550