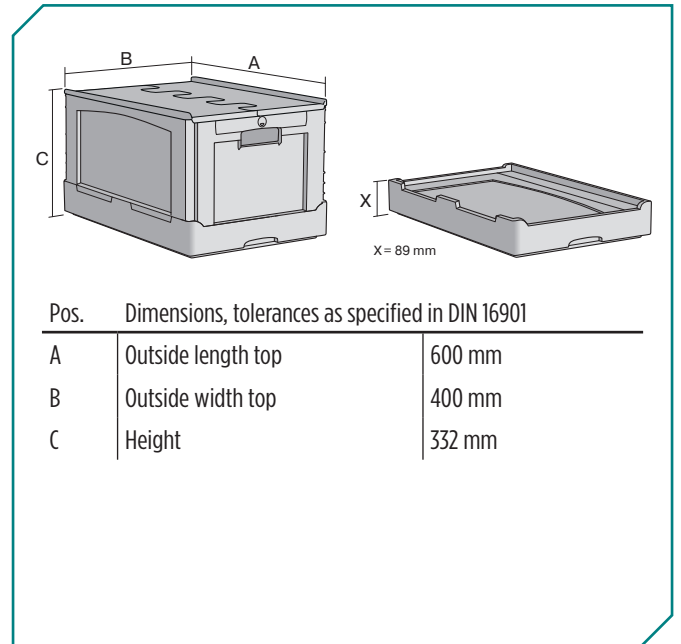
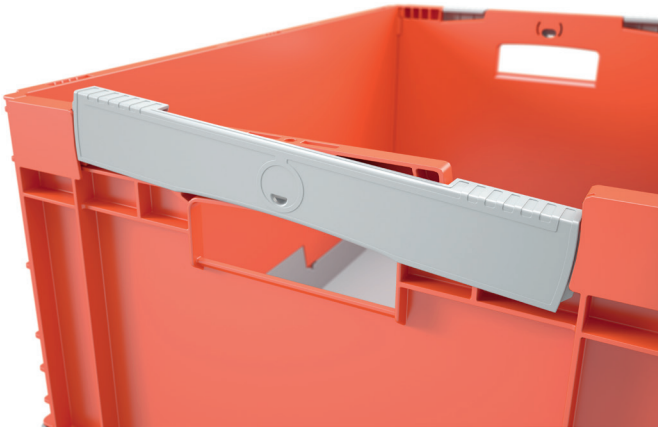


# Folding boxes EQ - with grip opening, with standard base and hinged two-part lid

## EQD64321 | Data sheet



Product features	*Load capacity as specified in EN 13117
Weight	3.12 kg
*Stacking load	180 kg
*Load capacity	20 kg
Volume	64 litres
Warranty	5 year BITO QUALITY
ESD	No
Temperature range	-20°C to +80°C
Food safety	✓
Material	PP
Stock item	-
Pcs/pack	1
colour	blue/grey
Ref. no.	51-31473

Other colours / special colours on request

Dimensions, tolerances as specified in DIN 16901	
Outside length top	600 mm
Outside width top	400 mm
Height	332 mm
Inside length top	568 mm
Inside width top	368 mm
Inside length base	557 mm
Inside width base	357 mm
Inside height	310 mm

Information & Service  
[www.bitocom](http://www.bitocom)

**BITO**  
 STORAGE  
 SYSTEMS

# Folding boxes EQ - with grip opening, with standard base and hinged two-part lid

## **EQD64321** | Accessories



**Transport dollies**  
polypropylene wheels  
L 620 x W 420 mm  
**43-1491**



**Security seals with laser marking**  
suited for BITO folding boxes EQ  
**51-31666**



**Document pockets**  
self-adhesive  
3 sides open  
L 175 x W 105 mm  
**6-5031**