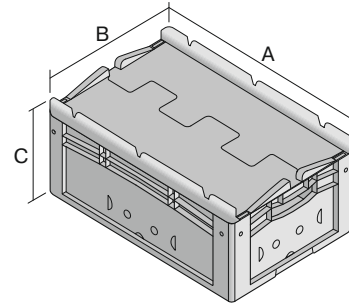
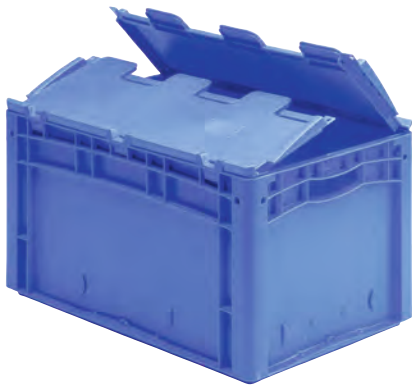


European size stacking containers XL, with hinged two-part lid

XLD32171 | Data sheet



Pos. Dimensions, Tolerances as specified in DIN 16901

Pos.	Dimensions, Tolerances as specified in DIN 16901	
A	Outside length top	300 mm
B	Outside width top	200 mm
C	Height	188 mm

Features	*Load capacity as specified in EN 13117
Proper weight	0.86 kg
*Load capacity	15 kg
Volume	6 Litres
Warranty	5 year BITO QUALITY
ESD	ESD version upon request
Temperature range	-20°C to +90°C
Food safety	✓
Material	PP
Stock item	✓
Pcs/pack	1
Colour	blue
Ref. no.	43-30403

Dimensions, Tolerances as specified in DIN 16901	
Outside length top	300 mm
Outside width top	200 mm
Height	188 mm
Inside length top	268 mm
Inside width top	168 mm
Inside height	167 mm

Other colours / special colours on request

Information & Service
www.bitto.com

BITO
 STORAGE
 SYSTEMS

European size stacking containers XL, with hinged two-part lid **XLD32171** | Accessories



Security seals

for European size stacking containers XL
and small parts containers KLT

9-16271



Covers for palletised containers

L 1220 x W 820 mm

9-18421