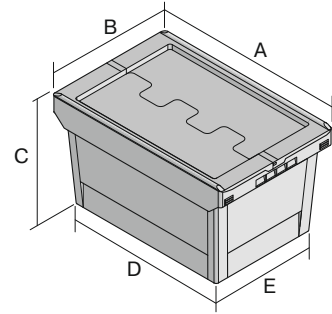


# Multi-purpose containers MB, with hinged two-part lid

## MBD43271 | Data sheet



Pos. Dimensions, tolerances as specified in DIN 16901

Pos.	Dimensions, tolerances as specified in DIN 16901	
A	Outside length top	410 mm
B	Outside width top	300 mm
C	Height	290 mm
D	Base length outside	318 mm
E	Base width outside	240 mm

Product features	*Load capacity as specified in EN 13117
Proper weight	1.65 kg
*Stacking load	150 kg
*Load capacity	25 kg
Volume	22 Litres
Warranty	5 year BITO QUALITY
ESD	ESD version upon request
Temperature range	-20°C to +90°C
Food safety	✓
Material	PP
Stock item	✓
Pcs/pallet	120
Pcs/pack	1
Colour	dove blue
Ref. no.	6-11124

Other colours / special colours on request

Dimensions, tolerances as specified in DIN 16901	
Outside length top	410 mm
Outside width top	300 mm
Height	290 mm
Inside length top	313 mm
Inside width top	235 mm
Inside length base	313 mm
Inside width base	235 mm
Height of stacking rim	65 mm

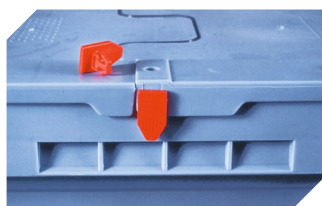
Printed message	
Pad printing area on short side (front)	150 x 100 mm
Pad printing area on short side (rear)	150 x 100 mm
Pad printing area on long side	240 x 100 mm
Screen printing area on short side	120 x 80 mm
Screen printing area on short side (rear)	120 x 80 mm
Screen printing area on long side	200 x 80 mm
Hot foil printing area on short side (front)	150 x 100 mm
Hot foil printing area on short side (rear)	150 x 100 mm
Hot foil printing area on long side	240 x 100 mm
Injection mold printing area on long side	110 x 35 mm

Information & Service  
[www.bito.com](http://www.bito.com)

**BITO**  
 STORAGE  
 SYSTEMS

## Multi-purpose containers MB, with hinged two-part lid

# MBD43271 | Accessories



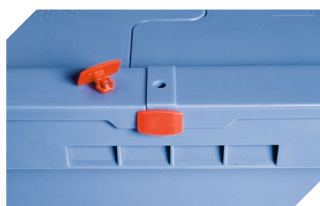
### Security seals

MBP1 - suited for BITOBOX MB  
**6-10810**



### Connector clips

**6-15625**



### Security seals

MBP2 - suited for BITOBOX MB  
**6-15705**



### Security seals

MBP2-N - suited for BITOBOX MB,  
XL, SL  
**6-19162**



### Transport dolly

for multi-purpose containers sized  
800 x 400 mm and 800 x 600 mm  
L 720 x W 540 mm  
**6-19439**



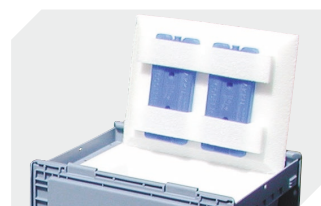
### Locking clips

suited for BITOBOX MB  
**6-20299**



### Document pockets

self-adhesive  
2 sides open  
L 145 x W 100 mm  
**46-21108**



### Thermo-inlays

for multi-purpose containers MB  
L 780 x W 520 x H 60 mm  
**6-22689**



### Thermo insulation sets

for multi-purpose containers MB  
**6-31363**



### Barcoded security seals

MBP3 - suited for BITOBOX MB and XL  
800 x 600 mm  
**6-31550**



### Document pockets

self-adhesive  
3 sides open  
L 175 x W 105 mm  
**6-5031**