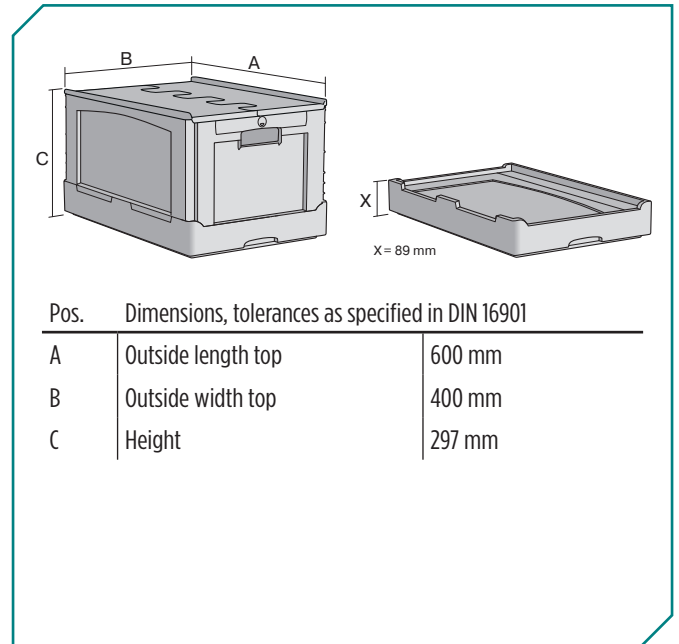
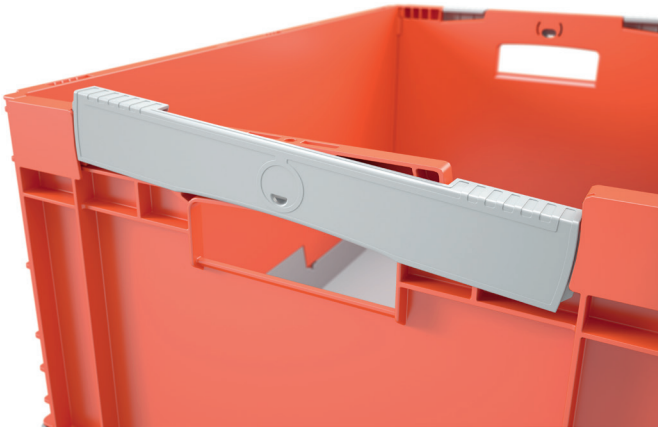


# Folding boxes EQ - with grip opening, with standard base and hinged two-part lid

## EQD64281 | Data sheet



### Product features

Weight	2.96 kg
*Stacking load	180 kg
*Load capacity	20 kg
Volume	57 litres
Warranty	5 year BITO QUALITY
ESD	No
Temperature range	-20°C to +80°C
Food safety	✓
Material	PP
Stock item	-
Pcs/pack	1
colour	blue/grey
Ref. no.	51-31472

Other colours / special colours on request

All written or verbal information about product properties and product application are given to the best of our knowledge. This information is based on our experience and cannot be warranted as the sole binding product properties. It is the customer's responsibility to check whether the ordered goods are suitable for the intended use. All measurements are subject to variations within the scope of the applicable manufacturing tolerances.

\* Load capacity data according to EN 13117 refer to an ambient temperature of 23 °C.

### Dimensions, tolerances as specified in DIN 16901

Outside length top	600 mm
Outside width top	400 mm
Height	297 mm
Inside length top	568 mm
Inside width top	368 mm
Inside length base	557 mm
Inside width base	357 mm
Inside height	275 mm

Information & Service  
[www.bito.com](http://www.bito.com)

**BITO**  
 STORAGE  
 SYSTEMS

# Folding boxes EQ - with grip opening, with standard base and hinged two-part lid

## **EQD64281** | Accessories



**Transport dollies**  
polypropylene wheels  
L 620 x W 420 mm  
**43-1491**



**Security seals with laser marking**  
suited for BITO folding boxes EQ  
**51-31666**



**Document pockets**  
self-adhesive  
3 sides open  
L 175 x W 105 mm  
**6-5031**