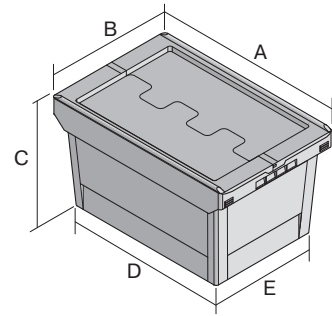


Multi-purpose containers MB with double base, PVC castors and hinged interlocking lid MBD86321DROLL-K | Data sheet



Pos. Dimensions, tolerances as specified in DIN 16901

A	Outside length top	800 mm
B	Outside width top	600 mm
C	Height	453 mm

Product features

Weight	9.04 kg
*Stacking load	200 kg
*Load capacity	50 kg
Volume	114 litres
Warranty	5 year BITO QUALITY
ESD	No
Temperature range	-20°C to +80°C
Food safety	✓
Material	PP
Stock item	-
Pcs/pack	1
colour	dove blue
Ref. no.	6-19487

Other colours / special colours on request

All written or verbal information about product properties and product application are given to the best of our knowledge. This information is based on our experience and cannot be warranted as the sole binding product properties. It is the customer's responsibility to check whether the ordered goods are suitable for the intended use. All measurements are subject to variations within the scope of the applicable manufacturing tolerances.

* Load capacity data according to EN 13117 refer to an ambient temperature of 23 °C.

Dimensions, tolerances as specified in DIN 16901

Outside length top	800 mm
Outside width top	600 mm
Height	453 mm

Information & Service
www.bitocom

BITO
STORAGE
SYSTEMS

Multi-purpose containers MB with double base, PVC castors and hinged interlocking lid **MBD86321DROLL-K** | Accessories



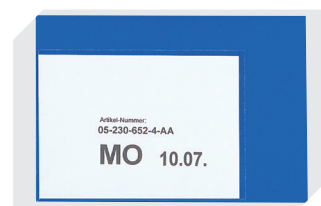
Label covers
for multi-purpose containers MB
W 60 x H 80.4 mm
6-15244



Connector clips
6-15625



Transport dollies
for multi-purpose containers sized
800 x 400 mm and 800 x 600 mm
L 720 x W 540 mm
6-19439



Document pockets
self-adhesive
2 sides open
L 145 x W 100 mm
46-21108



Document pockets
self-adhesive
3 sides open
L 175 x W 105 mm
6-5031

Information & Service
www.bito.com

BITO
S T O R A G E
S Y S T E M S