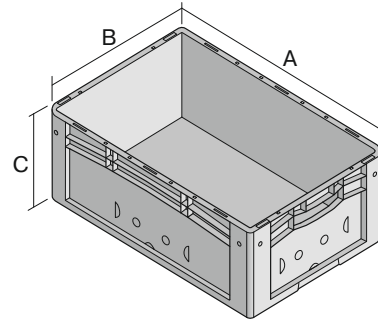
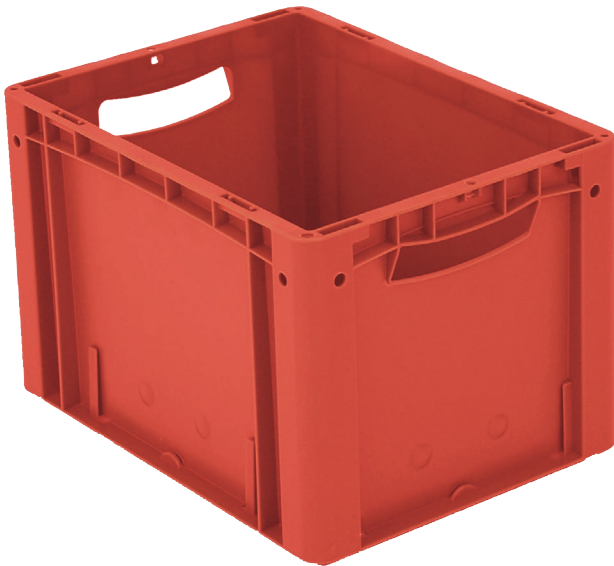


European size stacking containers XL, standard version

XL43271 | Data sheet



Pos.	Dimensions, Tolerances as specified in DIN 16901	
A	Outside length top	400 mm
B	Outside width top	300 mm
C	Height	270 mm

Features	*Load capacity as specified in EN 13117
Proper weight	1.40 kg
*Stacking load	250 kg
*Load capacity	30 kg
Volume	24 Litres
Warranty	5 year BITO QUALITY
ESD	ESD version upon request
Temperature range	-20°C to +90°C
Food safety	✓
Material	PP
Stock item	✓
Pcs/pack	1
Colour	red
Ref. no.	43-14508

Dimensions, Tolerances as specified in DIN 16901	
Outside length top	400 mm
Outside width top	300 mm
Height	270 mm
Inside length top	368 mm
Inside width top	268 mm
Inside length base	359 mm
Inside width base	259 mm
Inside height	267 mm

Other colours / special colours on request

Printed message	
Pad printing area on short side (front)	90 x 180 mm
Pad printing area on short side (rear)	90 x 180 mm
Pad printing area on long side	90 x 230 mm
Hot foil printing area on short side (front)	90 x 180 mm
Hot foil printing area on short side (rear)	90 x 180 mm
Hot foil printing area on long side	90 x 230 mm
Injection mold printing area on long side	25 x 130 mm



European size stacking containers XL, standard version

XL43271 | Accessories



Covers for palletised containers
L 1220 x W 820 mm
9-18421



Drop-on lids
for European size stacking
containers XL
L 400 x W 300 mm
43-20303



Grip closures
suited for bins with a height of 170,
220 and 270 mm
43-31450