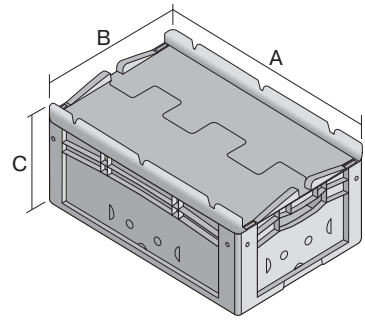


European size stacking containers XL with double base, with handcuts and double base

**DSB64321D** | Data sheet



Pos. Dimensions, tolerances as specified in DIN 16901

Product features

Weight	2.71 kg
*Stacking load	180 kg
*Load capacity	50 kg
Warranty	5 year BITO QUALITY
ESD	No
Temperature range	-20°C to +60°C
Food safety	-
Material	PP
Stock item	-
Pcs/pack	1
colour	grey
Ref. no.	C0502-0001

Dimensions, tolerances as specified in DIN 16901

Useful interior height when stacked | 286 mm

Other colours / special colours on request

All written or verbal information about product properties and product application are given to the best of our knowledge. This information is based on our experience and cannot be warranted as the sole binding product properties. It is the customer's responsibility to check whether the ordered goods are suitable for the intended use. All measurements are subject to variations within the scope of the applicable manufacturing tolerances.

\* Load capacity data according to EN 13117 refer to an ambient temperature of 23 °C.

Information & Service  
[www.bitto.com](http://www.bitto.com)



European size stacking containers XL with double base, with handcups and double base

## DSB64321D | Accessories



**Covers for palletised loads**

L 1220 x W 820 mm

**9-18421**

Information & Service  
[www.bito.com](http://www.bito.com)

**BITO**  
S T O R A G E  
S Y S T E M S