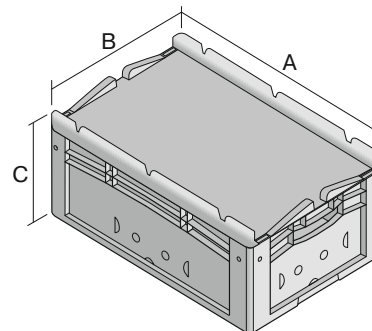


European size stacking containers XL, hinged on one side and closed with 2 snap-on fixtures on the other side

## XL64271ASDV | Data sheet



Pos.	Dimensions, Tolerances as specified in DIN 16901	
A	Outside length top	600 mm
B	Outside width top	400 mm
C	Height	288 mm

Features	*Load capacity as specified in EN 13117
Proper weight	3.05 kg
*Stacking load	300 kg
*Load capacity	15 kg
Volume	51 Litres
Warranty	5 year BITO QUALITY
ESD	ESD version upon request
Temperature range	-20°C to +90°C
Food safety	✓
Material	PP
Stock item	✓
Pcs/pack	1
Colour	blue
Ref. no.	43-22255

Dimensions, Tolerances as specified in DIN 16901	
Outside length top	600 mm
Outside width top	400 mm
Height	288 mm
Inside length top	568 mm
Inside width top	368 mm
Inside length base	559 mm
Inside width base	359 mm
Inside height	266 mm

Other colours / special colours on request

Printed message	
Pad printing area on short side (front)	90 x 250 mm
Pad printing area on short side (rear)	90 x 250 mm
Pad printing area on long side	90 x 250 mm
Hot foil printing area on short side (front)	90 x 250 mm
Hot foil printing area on short side (rear)	90 x 250 mm
Hot foil printing area on long side	90 x 250 mm
Injection mold printing area on long side	25 x 180 mm

European size stacking containers XL, hinged on one side and closed with 2 snap-on fixtures on the other side

## XL64271ASDV | Accessories



### Covers for palletised containers

L 1220 x W 820 mm

**9-18421**



### Drop-on lids

for European size stacking  
containers XL

L 600 x W 400 mm

**43-20301**



### Drop-on lids

for European size stacking  
containers XL

L 600 x W 400 mm

**43-20494**



### Transport dolly

rubber wheels

L 620 x W 420 mm

**43-21883**



### Grip closures

suited for bins with a height of 170,  
220 and 270 mm

**43-31450**