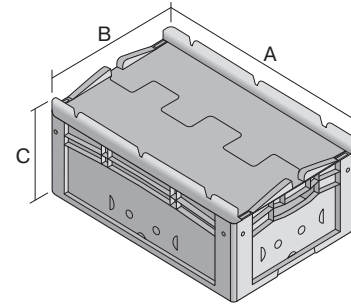
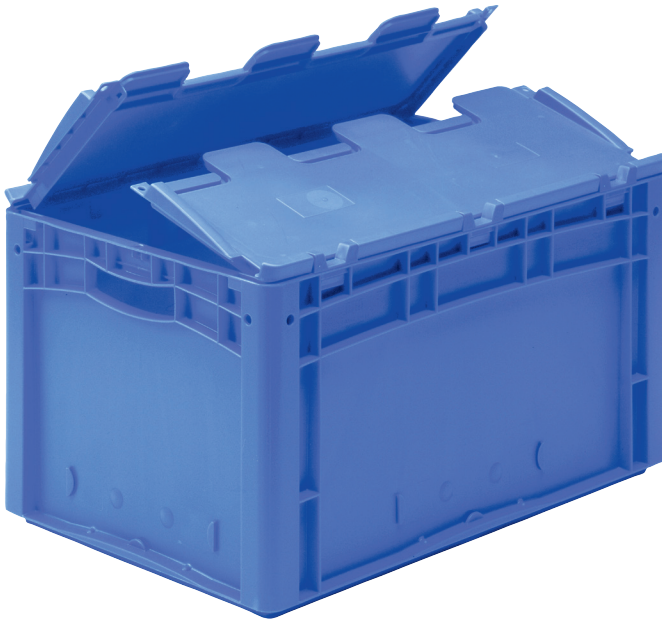


European size stacking containers XL, with hinged two-part lid

XLD32221 | Data sheet



Pos. Dimensions, tolerances as specified in DIN 16901

Pos.	Dimensions, tolerances as specified in DIN 16901	
A	Outside length top	300 mm
B	Outside width top	200 mm
C	Height	238 mm

Product features

Weight	0.99 kg
*Load capacity	15 kg
Volume	8.3 litres
Warranty	5 year BITO QUALITY
ESD	ESD version upon request
Temperature range	-20°C to +80°C
Food safety	✓
Material	PP
Stock item	✓
Pcs/pack	1
colour	blue
Ref. no.	43-30405

Other colours / special colours on request

All written or verbal information about product properties and product application are given to the best of our knowledge. This information is based on our experience and cannot be warranted as the sole binding product properties. It is the customer's responsibility to check whether the ordered goods are suitable for the intended use. All measurements are subject to variations within the scope of the applicable manufacturing tolerances.

* Load capacity data according to EN 13117 refer to an ambient temperature of 23 °C.

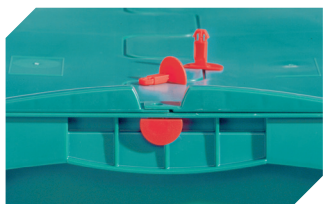
Dimensions, tolerances as specified in DIN 16901

Outside length top	300 mm
Outside width top	200 mm
Height	238 mm
Inside length top	268 mm
Inside width top	168 mm
Inside height	217 mm

Information & Service
www.bitto.com

BITO
 STORAGE
 SYSTEMS

European size stacking containers XL, with hinged two-part lid **XLD32221** | Accessories



Security seals

for European size stacking containers XL
and small parts containers KLT

9-16271



Covers for palletised loads

L 1220 x W 820 mm

9-18421

Information & Service
www.bito.com

BITO
S T O R A G E
S Y S T E M S