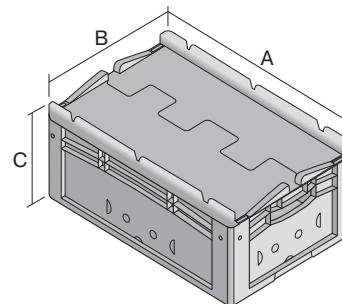
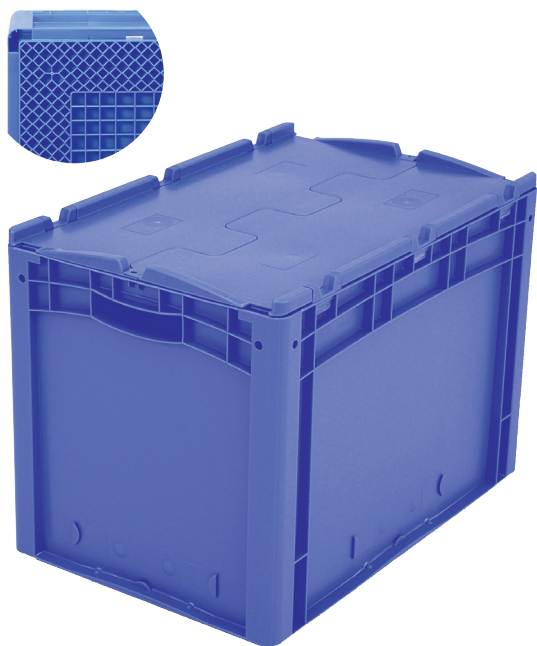


# European size stacking containers XL with ribbed base RX, with hinged two-part lid XLD64421RX | Data sheet



Pos. Dimensions, tolerances as specified in DIN 16901

Pos.	Dimensions, tolerances as specified in DIN 16901	
A	Outside length top	600 mm
B	Outside width top	400 mm
C	Height	438 mm

Product features	*Load capacity as specified in EN 13117
Weight	4.40 kg
*Stacking load	300 kg
*Load capacity	50 kg
Volume	79 litres
Warranty	5 year BITO QUALITY
ESD	ESD version upon request
Temperature range	-20°C to +80°C
Food safety	✓
Material	PP
Stock item	✓
Pcs/pack	1
colour	blue
Ref. no.	43-30272

Other colours / special colours on request

Dimensions, tolerances as specified in DIN 16901	
Outside length top	600 mm
Outside width top	400 mm
Height	438 mm
Inside length top	568 mm
Inside width top	368 mm
Inside length base	559 mm
Inside width base	359 mm
Inside height	402 mm

Printed message	
Pad printing area on short side (front)	100 x 250 mm
Pad printing area on short side (rear)	100 x 250 mm
Pad printing area on long side	100 x 250 mm
Hot foil printing area on short side (front)	100 x 250 mm
Hot foil printing area on short side (rear)	100 x 250 mm
Hot foil printing area on long side	100 x 250 mm
Injection mold printing area on long side	25 x 100 mm

Information & Service  
[www.bito.com](http://www.bito.com)

**BITO**  
LAGERTECHNIK

# European size stacking containers XL with ribbed base RX, with hinged two-part lid **XLD64421RX** | Accessories



## **Security seals**

for European size stacking containers XL  
and small parts containers KLT  
**9-16271**



## **Covers for palletised loads**

L 1220 x W 820 mm  
**9-18421**



## **Transport dollies**

rubber wheels  
L 620 x W 420 mm  
**43-21883**



## **Grip closures**

for European size stacking containers XL  
with a height of 320 and 420 mm  
**43-31448**