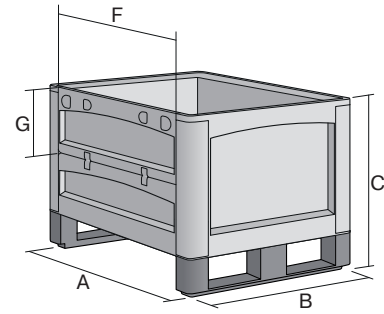


Heavy duty containers SL, with half-drop door on the long side

SLK86626K | Data sheet



Pos. Dimensions, tolerances as specified in DIN 16901

Pos.	Dimensions, tolerances as specified in DIN 16901	
A	Outside length top	800 mm
B	Outside width top	600 mm
C	Height	720 mm

Product features

Weight	18.01 kg
*Stacking load	1500 kg
*Load capacity	500 kg
Volume	223 litres
Drainage holes	upon request
Warranty	5 year BITO QUALITY
ESD	No
Food safety	✓
Material	PP
Stock item	✓
Pcs/pallet	6
Pcs/pack	1
colour	grey
Ref. no.	52-30367

Other colours / special colours on request

All written or verbal information about product properties and product application are given to the best of our knowledge. This information is based on our experience and cannot be warranted as the sole binding product properties. It is the customer's responsibility to check whether the ordered goods are suitable for the intended use. All measurements are subject to variations within the scope of the applicable manufacturing tolerances.

* Load capacity data according to EN 13117 refer to an ambient temperature of 23 °C.

Dimensions, tolerances as specified in DIN 16901

Outside length top	800 mm
Outside width top	600 mm
Height	720 mm
Inside length top	739 mm
Inside width top	539 mm
Inside length base	725 mm
Inside width base	525 mm
Inside height	573 mm
Stacking height	2880 mm
Label dimensions L x W	210 x 60 mm

Printed message

Pad printing area on short side (front)	250 x 100 mm
Pad printing area on long side	250 x 100 mm
Screen printing area on short side	260 x 100 mm
Screen printing area on long side	460 x 100 mm
Hot foil printing area on short side (front)	250 x 100 mm
Hot foil printing area on long side	250 x 100 mm

Information & Service
www.bito.com

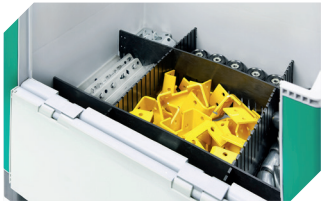
BITO
 LAGERTECHNIK

Heavy duty containers SL, with half-drop door on the long side

SLK86626K | Accessories



Non-slip grip matting
for heavy duty containers SL
L 720 x W 520 x H 8 mm
52-30380



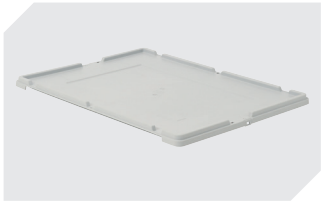
Slot-in divider strips
crosswise
L 524 x W 5 x H 180 mm
52-30384



Slot-in divider strips
lengthwise
L 724 x W 5 x H 180 mm
52-30385



Label holders
W 240 x H 80 mm
52-30386



Drop-on lid
L 800 x W 600 mm
52-30500



Document pockets
self-adhesive
3 sides open
L 175 x W 105 mm
6-5031