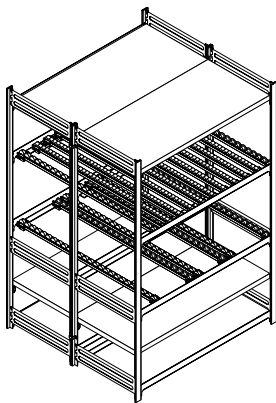


# Bereitstellregal SDS-T direct/solution Supply racking

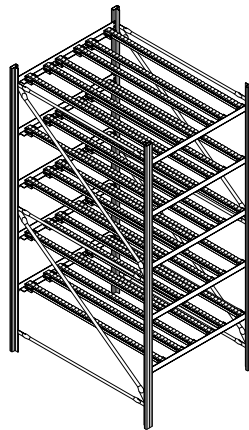
**BITO**  
WWW.BITO.COM

verfahrbar/mobile

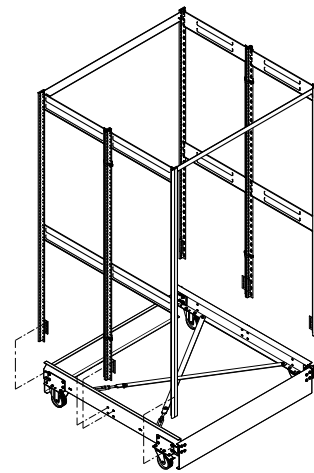
#11/2018/ Art.-Nr.: 42635



direct



solution



direct/solution

QR-Code

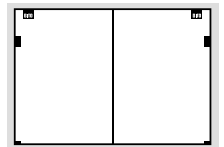


[www.bitto.com](http://www.bitto.com)

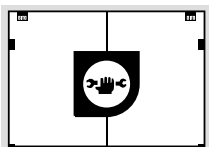
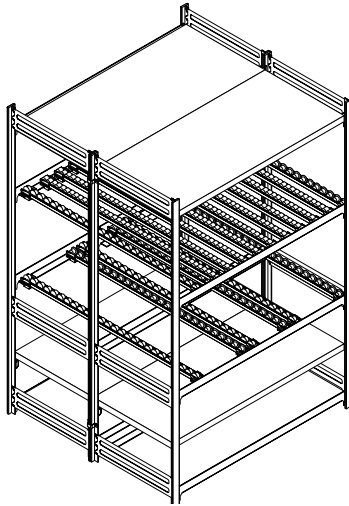
- Aufbau- und Bedienanleitung (DE)
- Instructions for assembly and use (GB)
- Instructions de montage et d'utilisation (FR)
- Richtlijnen en montagehandleiding (BE)
- Instrucciones de montaje y manejo (ES)
- Istruzioni per il montaggio e l'impiego (IT)
- Montage- op betjeningsvejledning (DK)
- összeállítási és kezelési útmutató (HU)
- Instrukcja montażu i użytkowania (PL)
- Návod k montáži a obsluze (CZ)
- Návod na montáž a použitie (SK)
- Інструкція по монтажу та експлуатації (UA)
- Инструкция по сборке и использованию (RU)



[www.bitto.com](http://www.bitto.com)

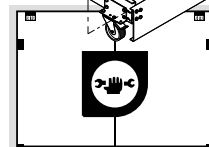
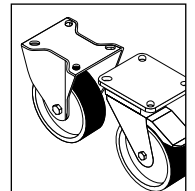
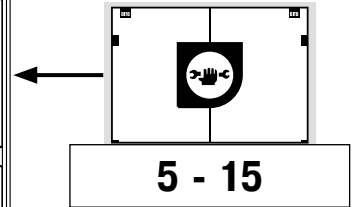
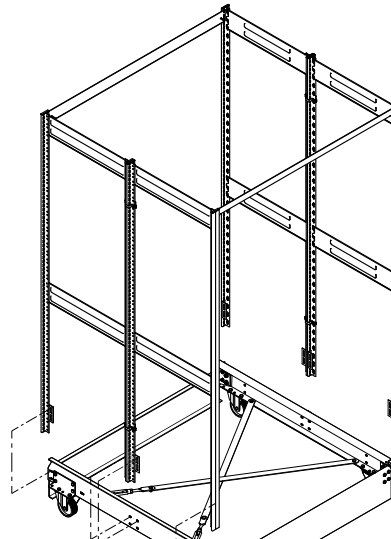


# SDS-T direct



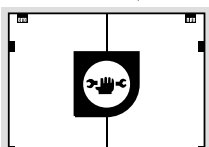
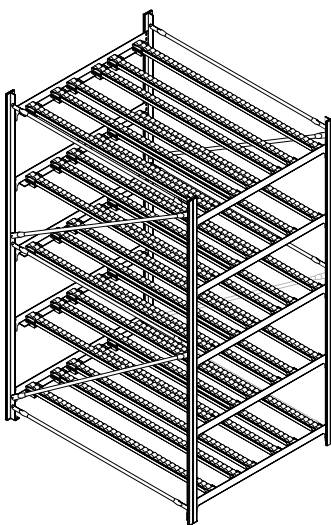
3 - 17

# verfahrbar/mobile



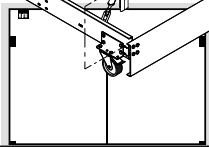
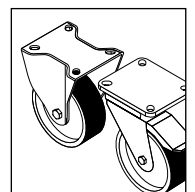
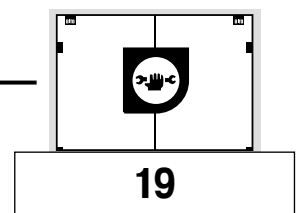
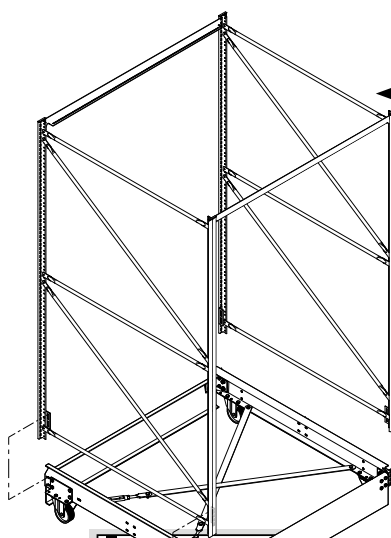
24 - 29

# SDS-T solution

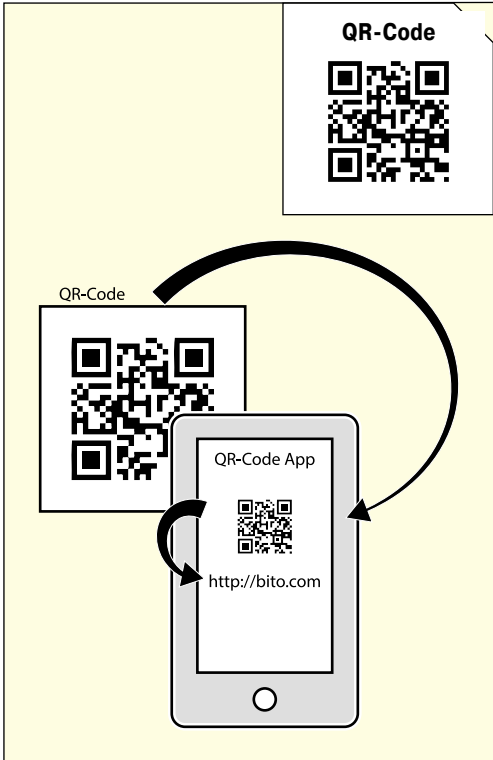
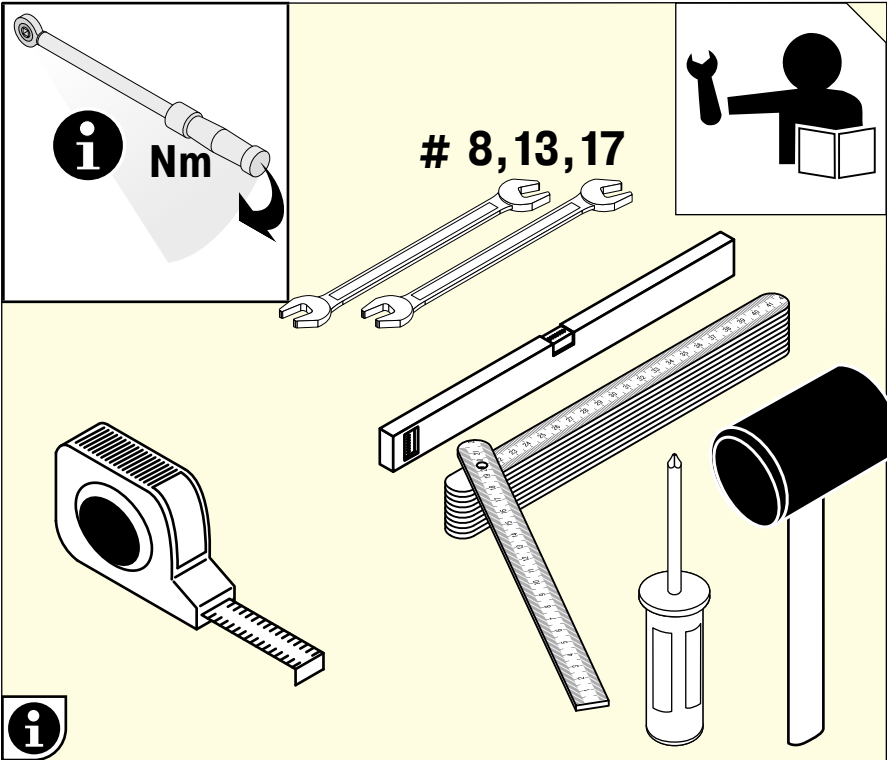
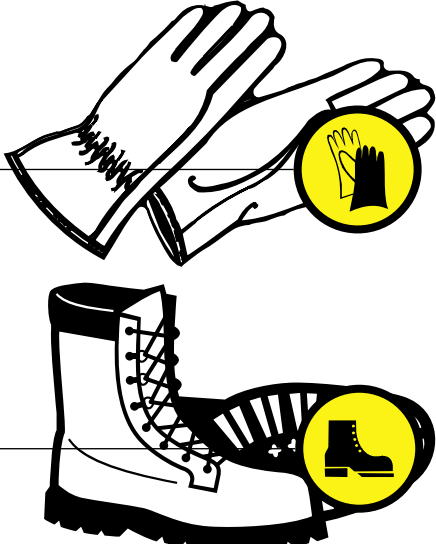
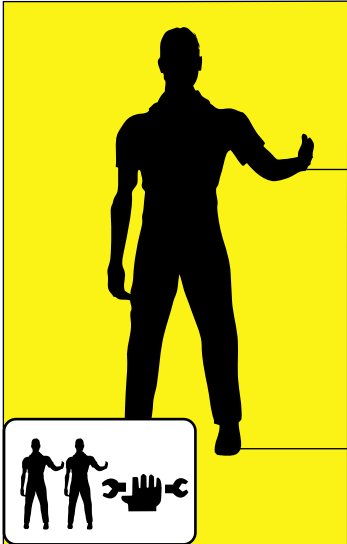
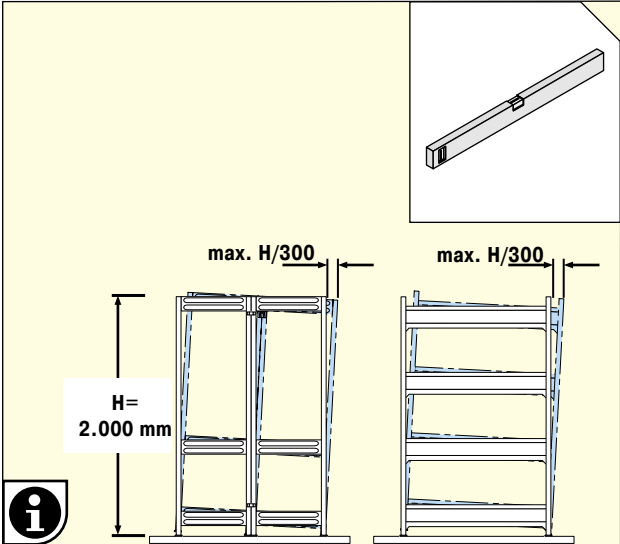
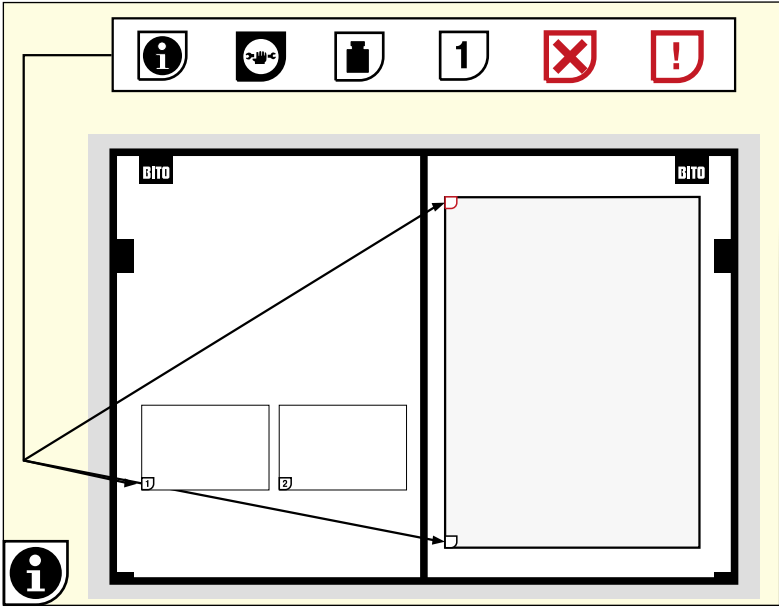


3, 18 - 21

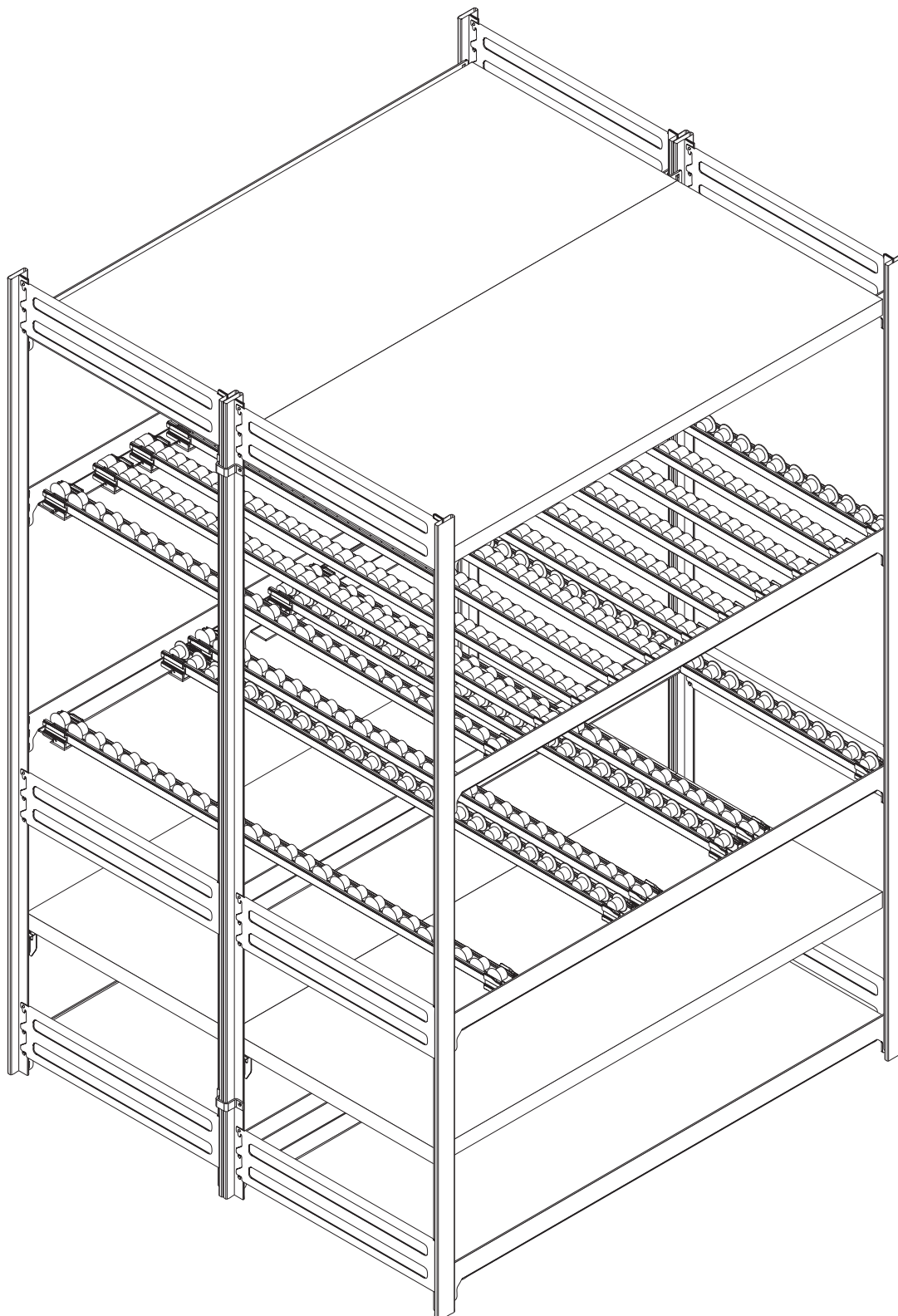
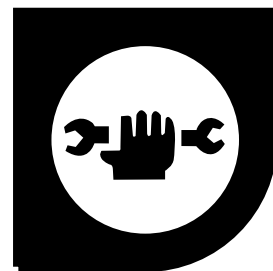
# verfahrbar/mobile



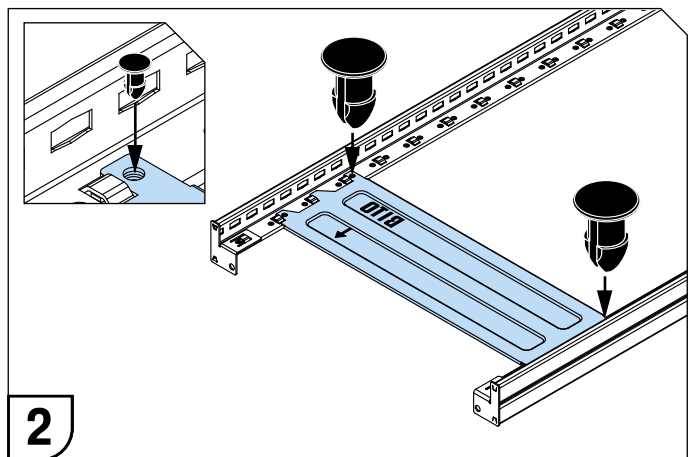
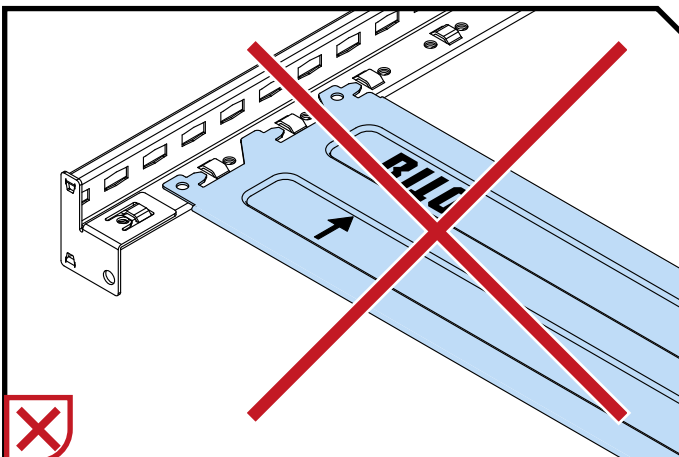
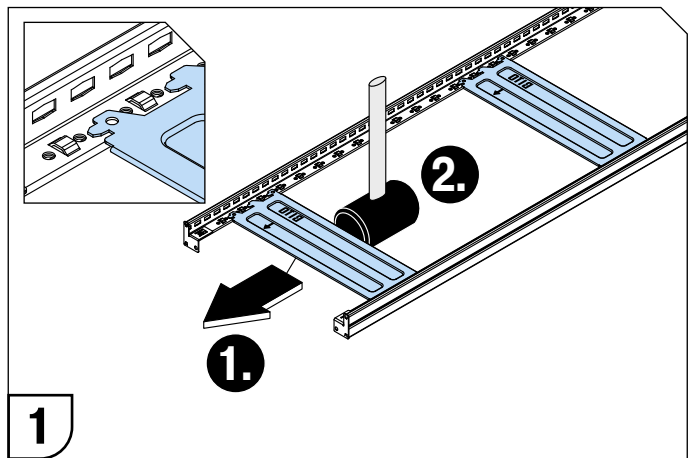
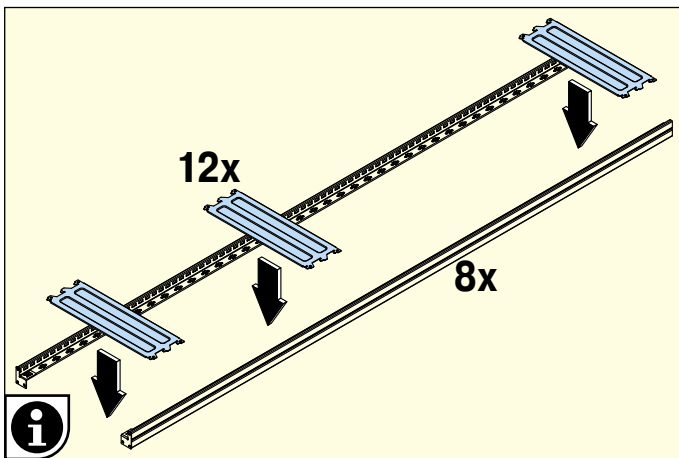
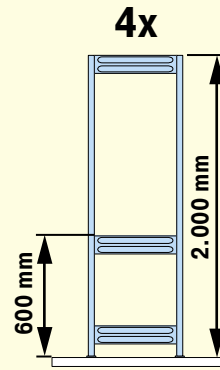
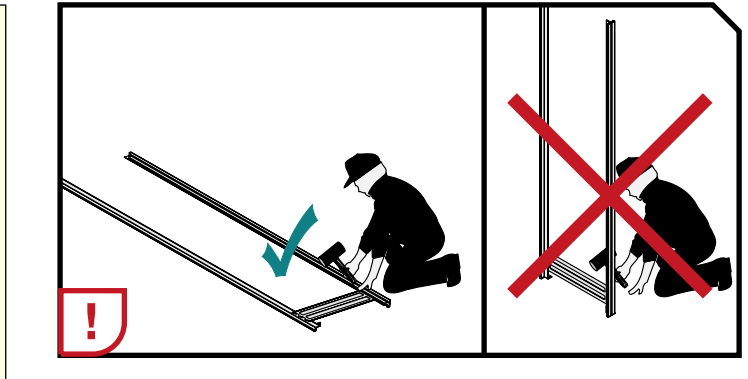
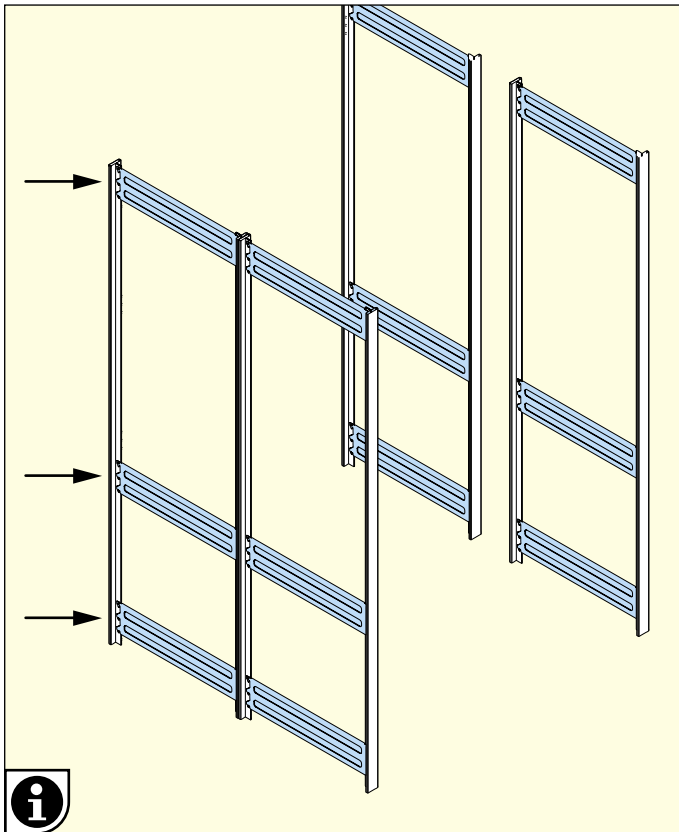
30 - 35

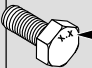
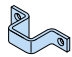
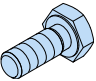




# SDS-T direct

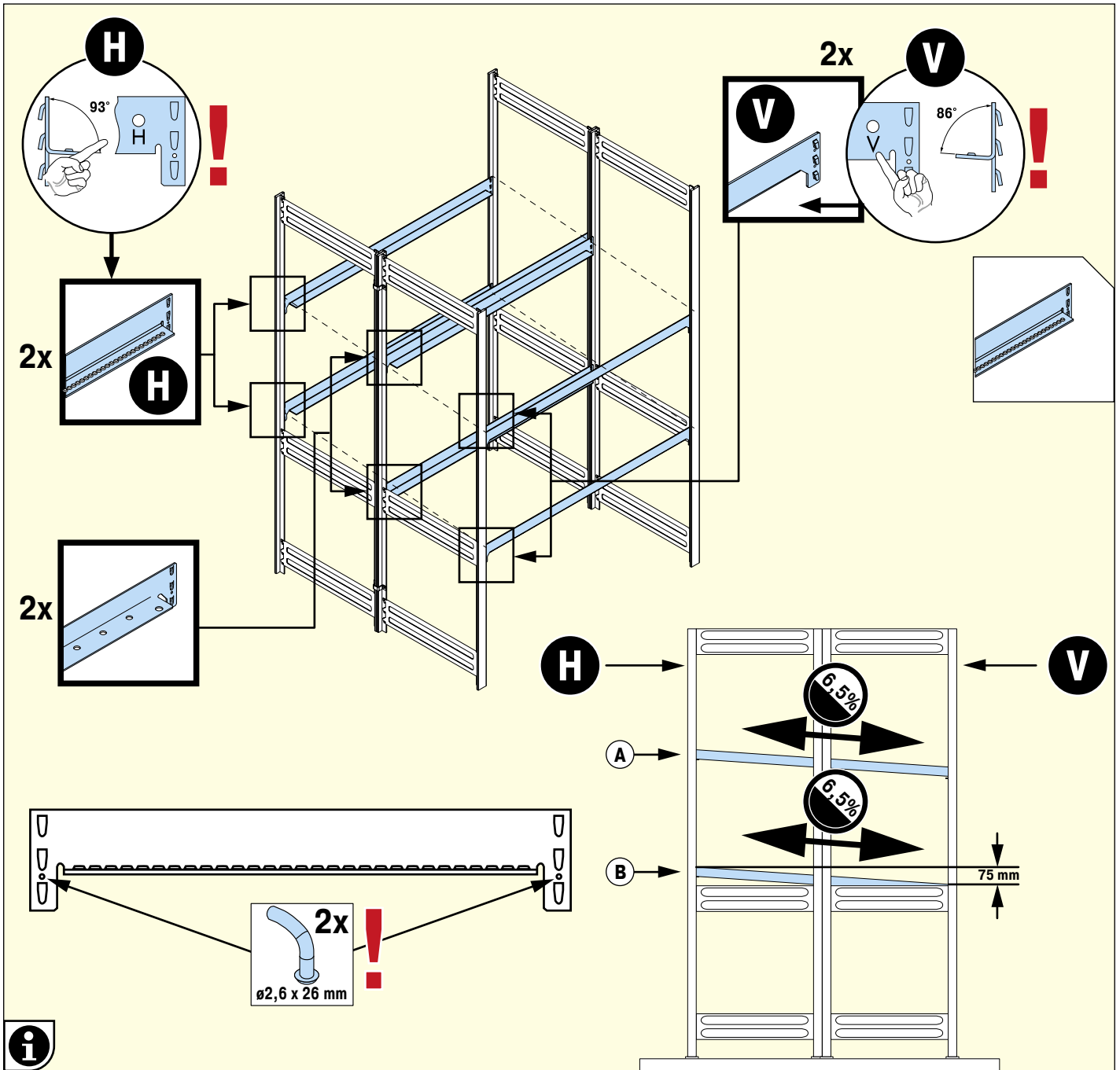


**SDS-T direct**

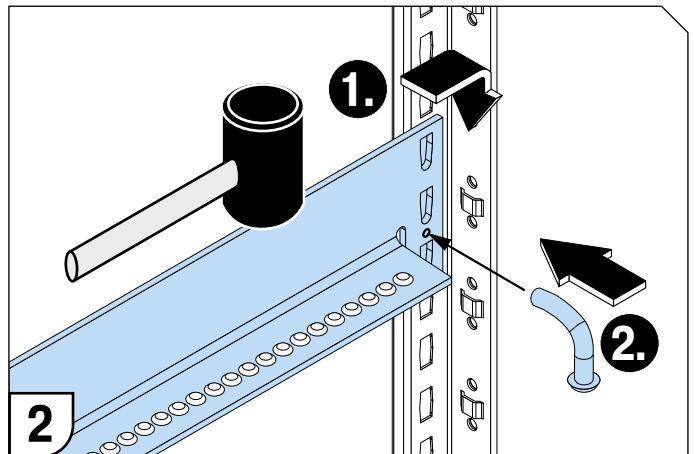
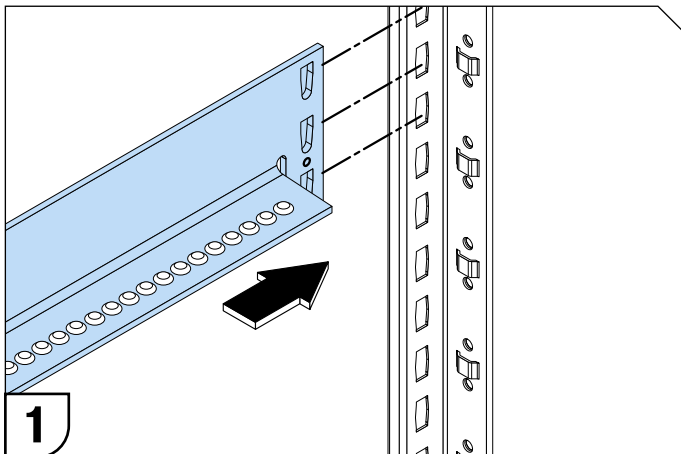


				
1				8x
2		M5x16 mm DIN EN ISO 4017	8.8	8x
3		Ø5,3 DIN EN ISO 7089		16x
4		M5 DIN EN ISO 7042	8	8x

**SDS-T direct**



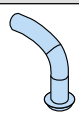
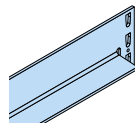
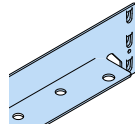
BEREITSTELLREGAL | SUPPLY RACKING



The main diagram shows a 3D perspective of the supply racking structure. It consists of vertical uprights, horizontal beams, and diagonal bracing. Callouts indicate the placement of components:
 

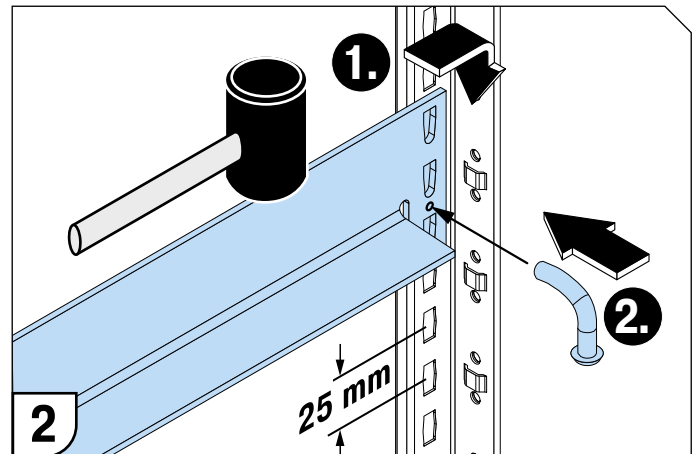
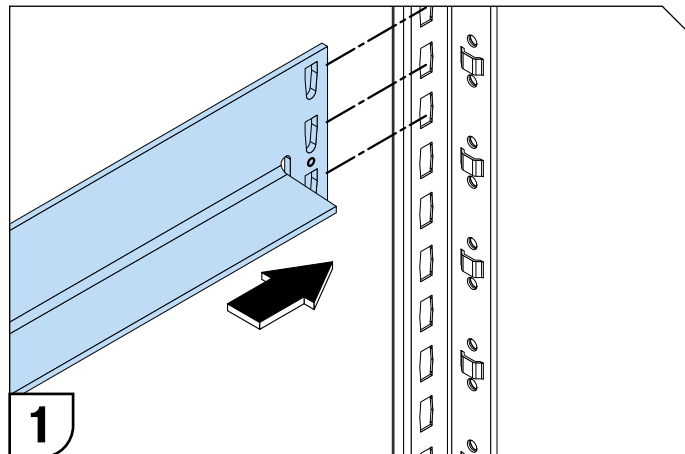
- 2x** (Component 2) on the top horizontal beams.
- 2x** (Component 3) on the side vertical uprights.
- 2x** (Component 2) on the bottom horizontal beams.

**Component Legend:**

①	 ø2,6 x 26 mm	28x
②		4x
③		4x

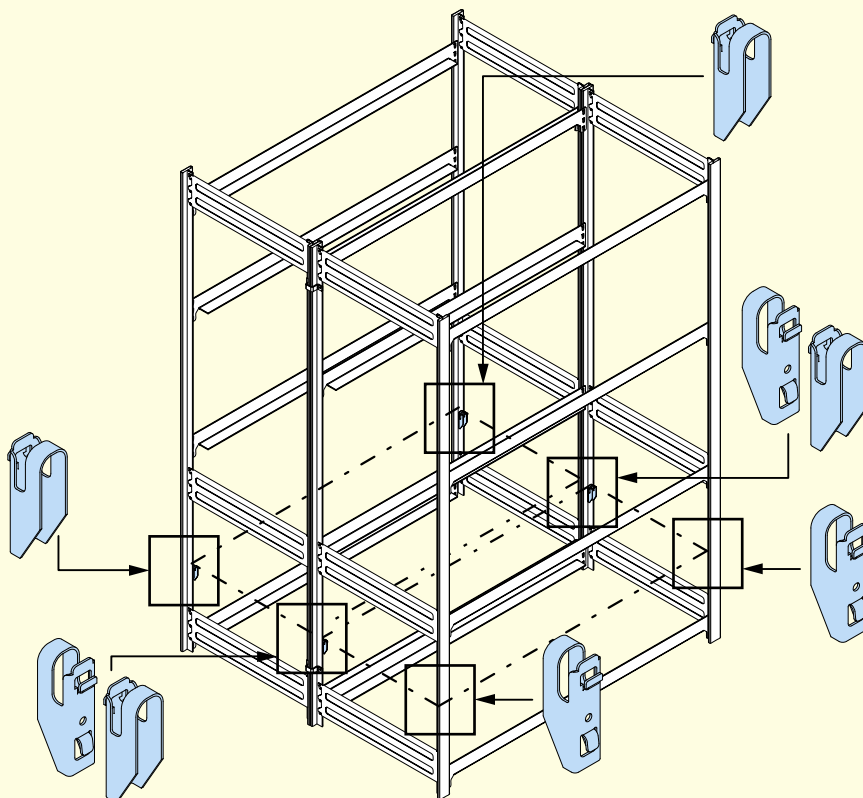
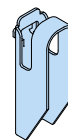
**Warning:** A red exclamation mark and a callout for **2x** of Component 1 (ø2,6 x 26 mm) point to the top of the uprights, indicating that these pins must be inserted into the uprights before the beams are attached.

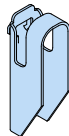
**Information:** An information icon (i) is located at the bottom left of the main diagram area.

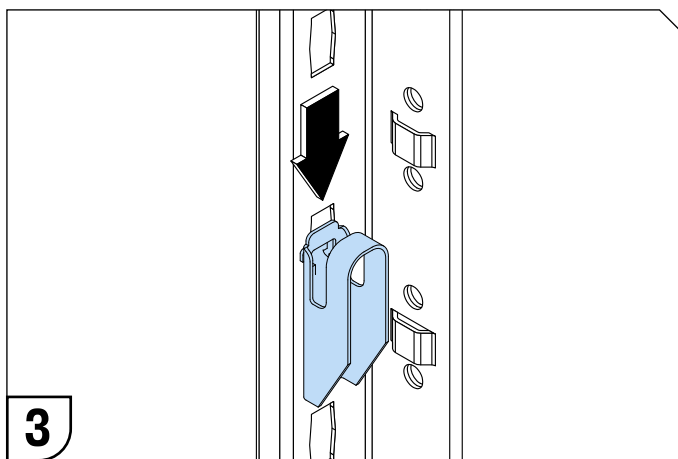
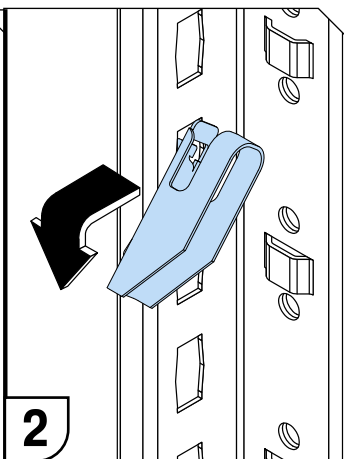
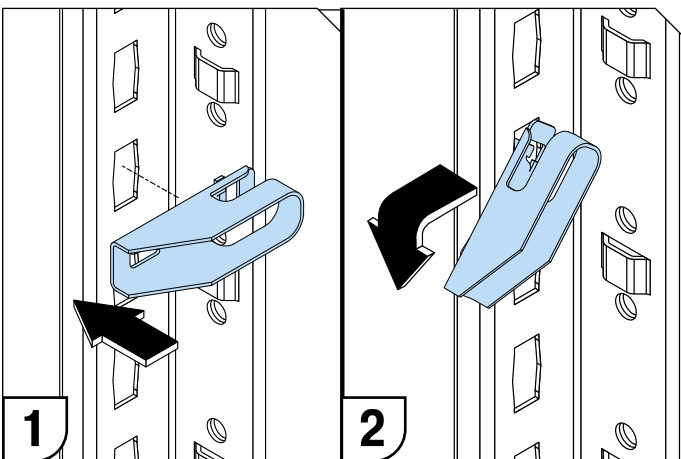


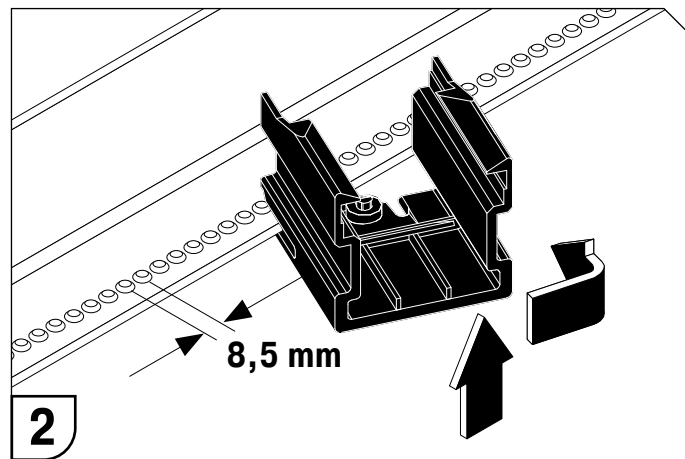
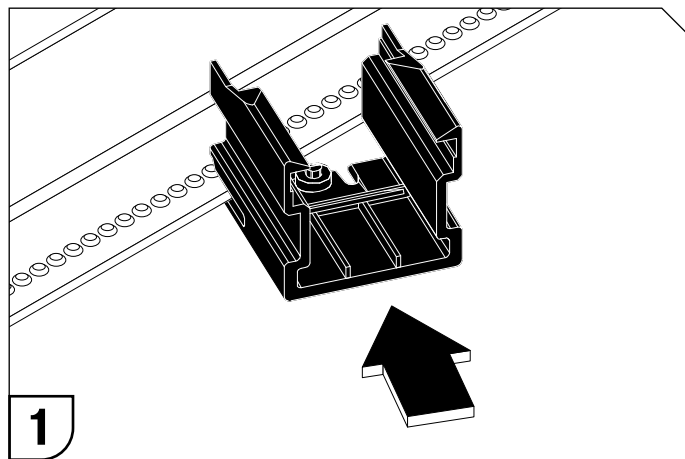
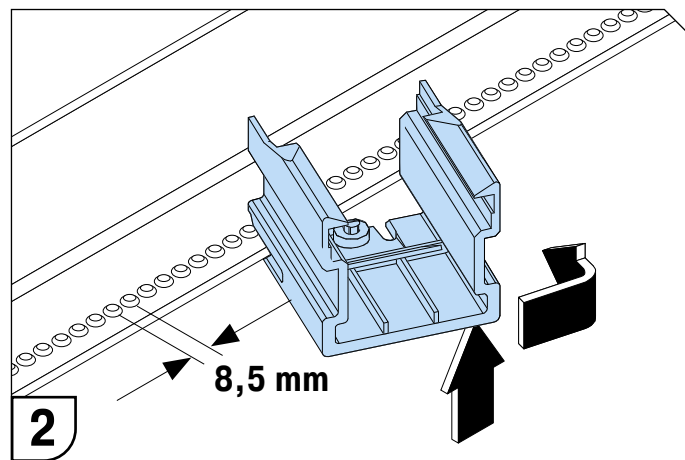
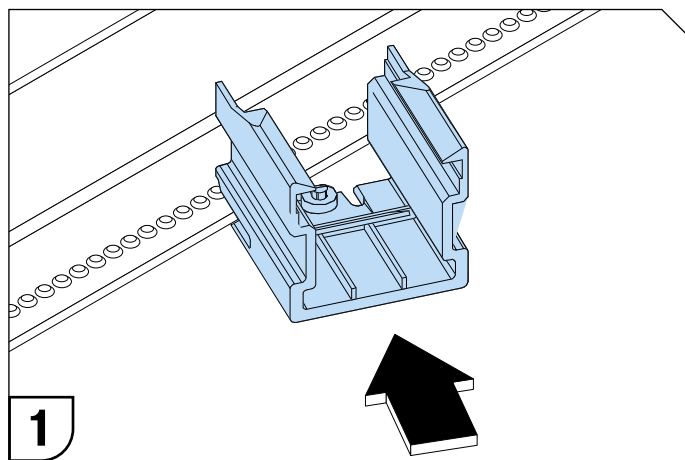
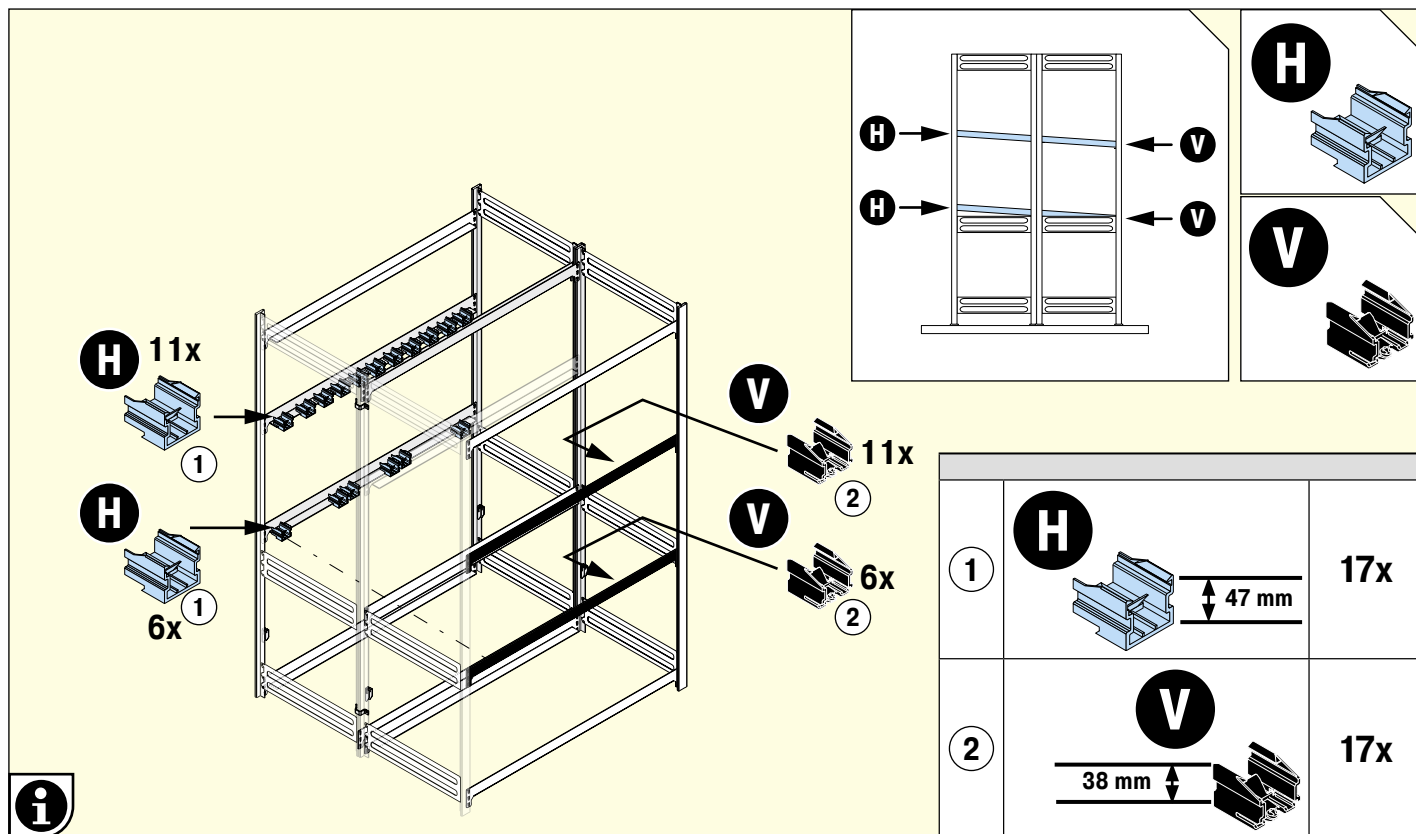


SDS-T direct

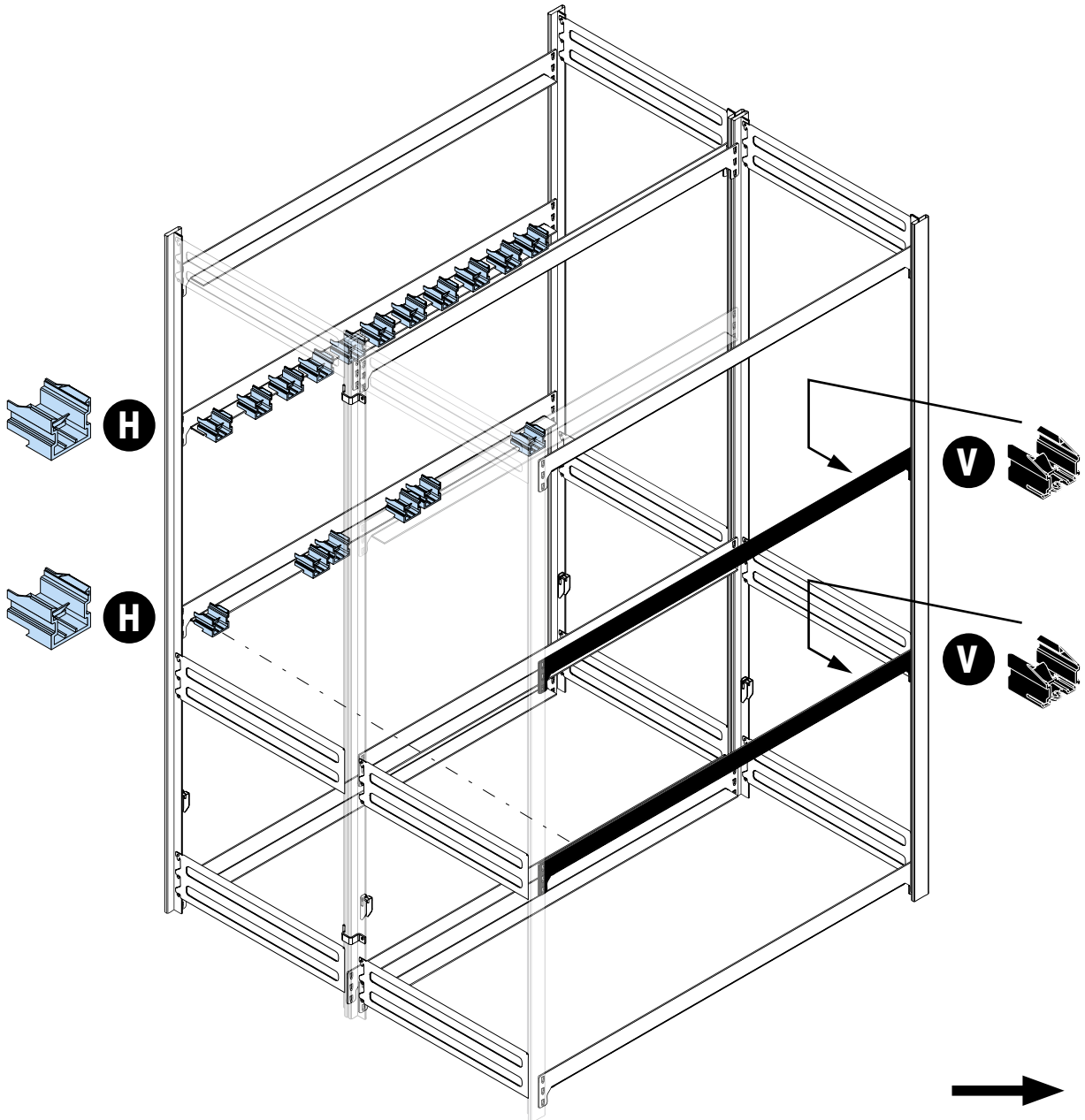
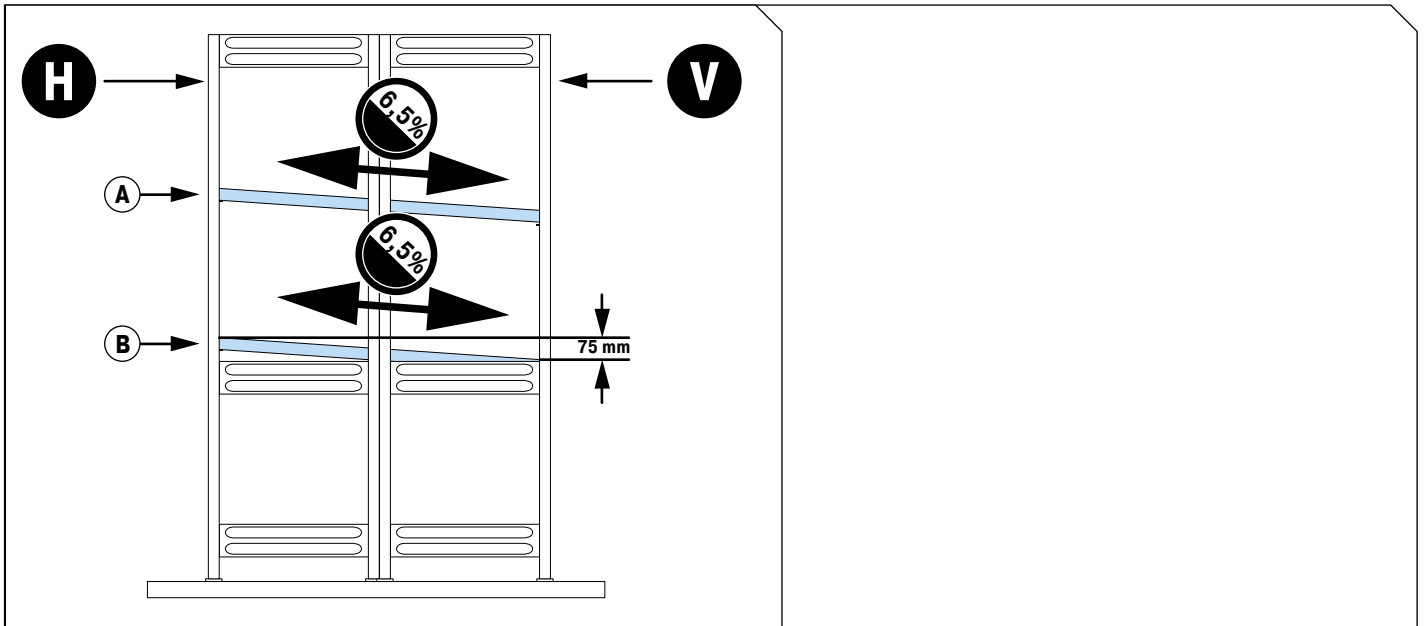


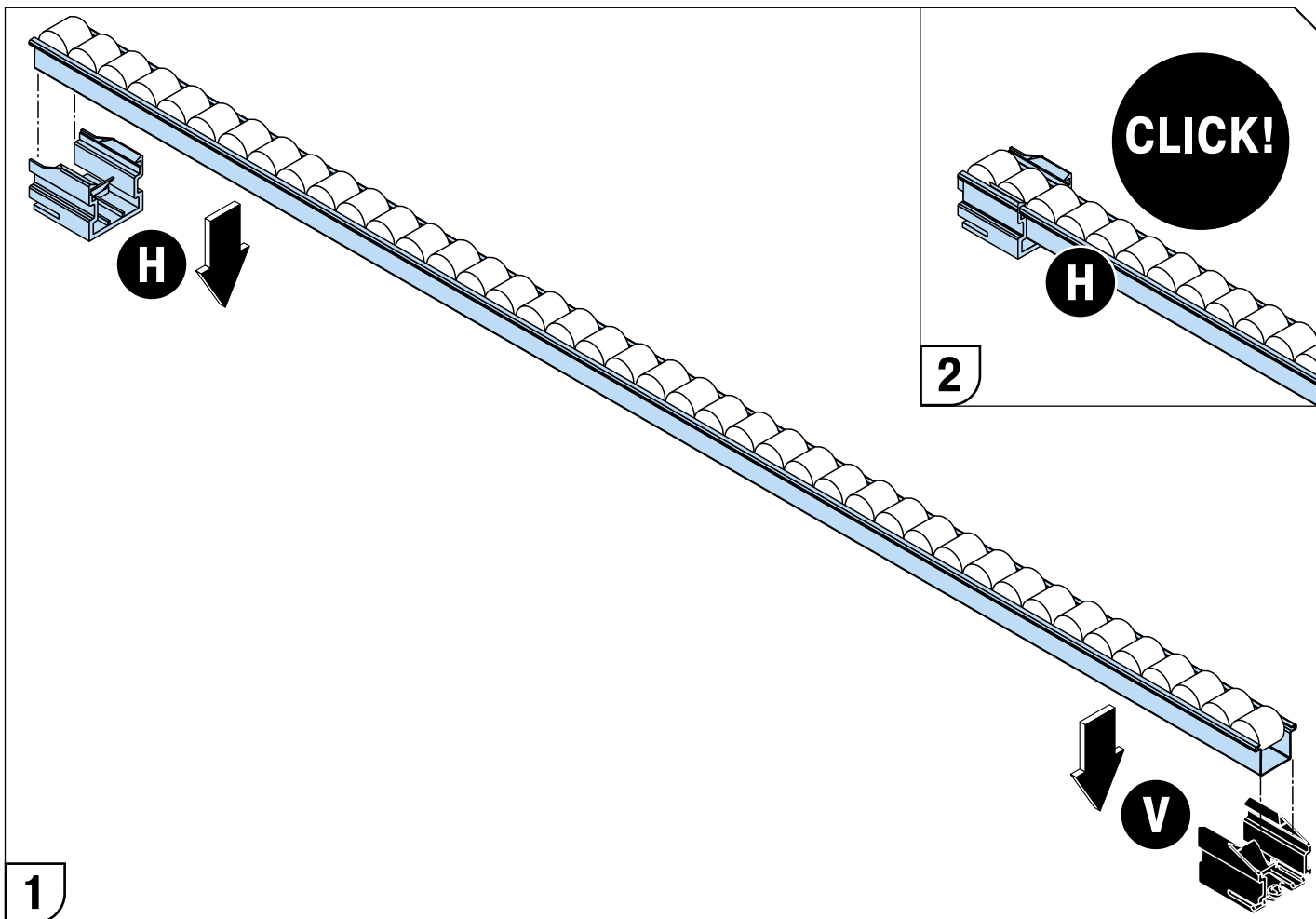
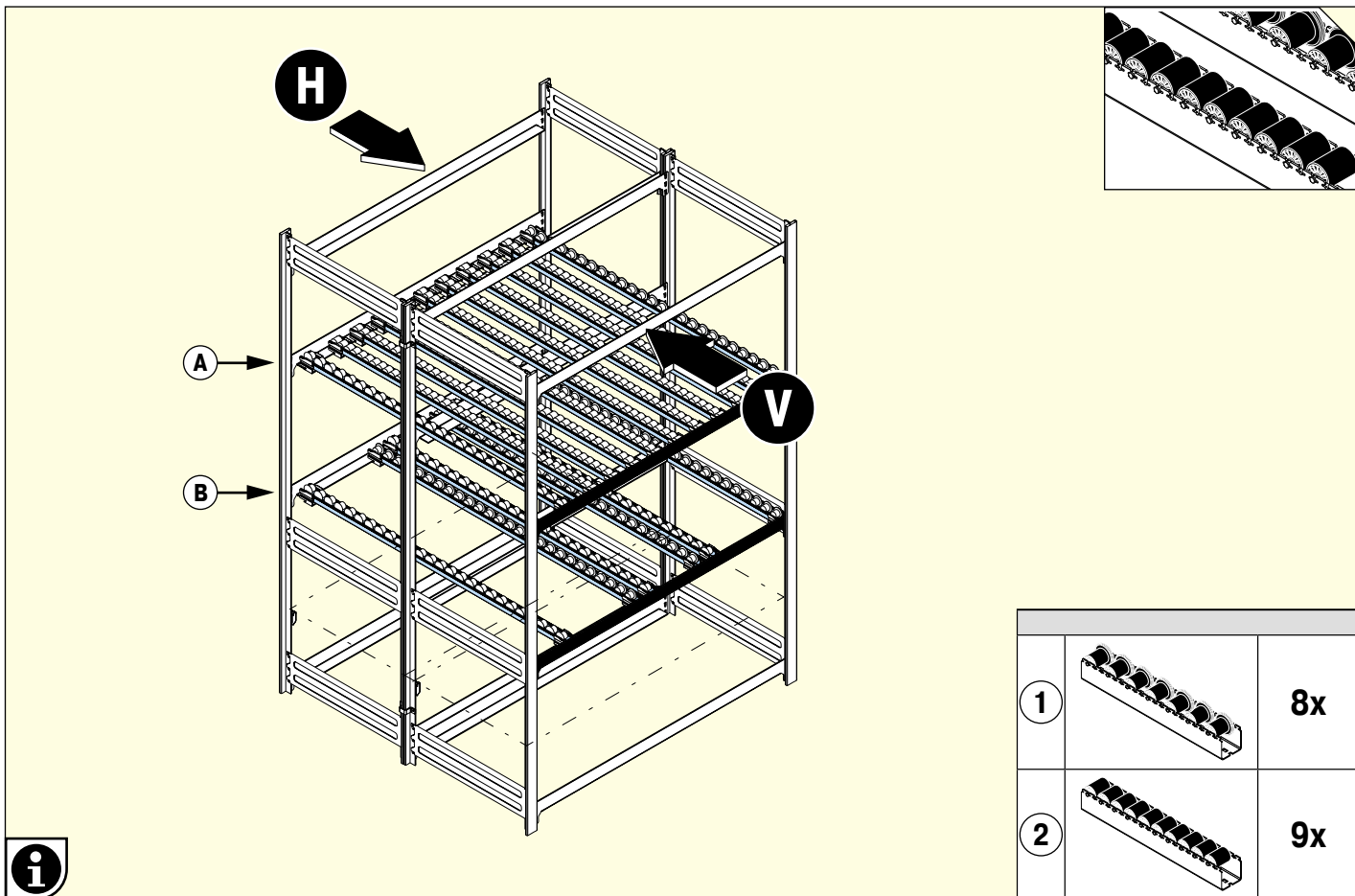
		8x
--	---	----





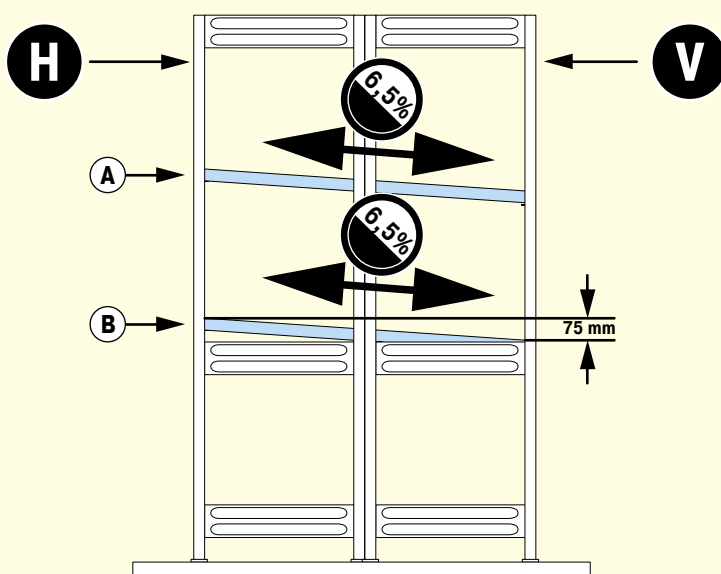
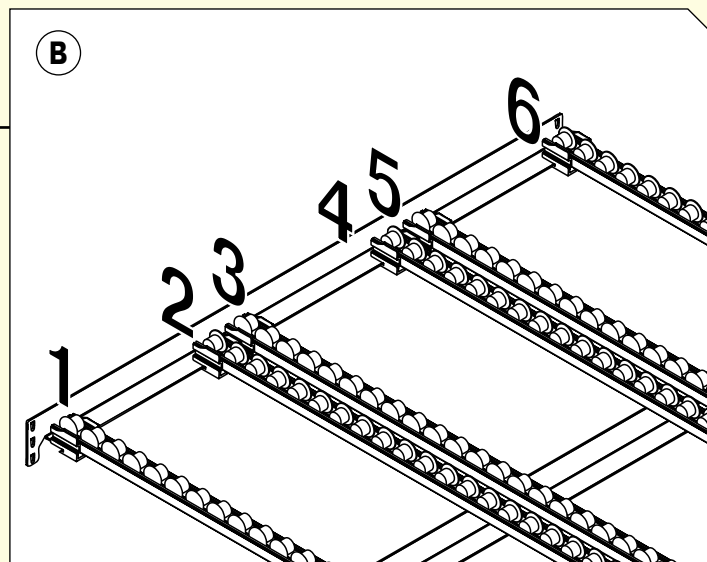
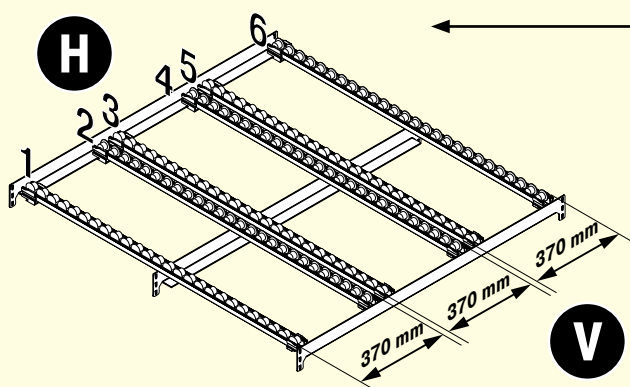
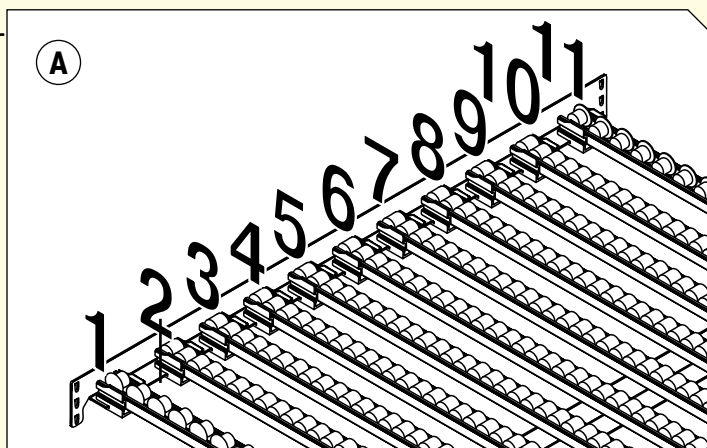
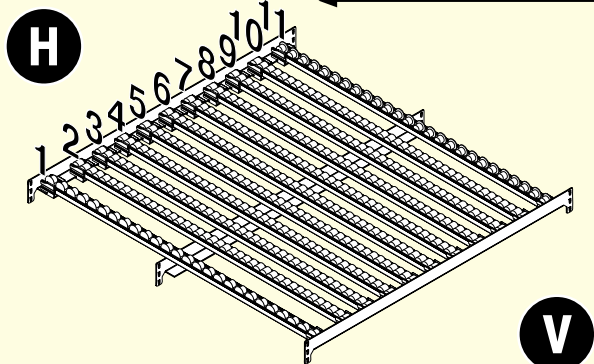
**SDS-T direct**

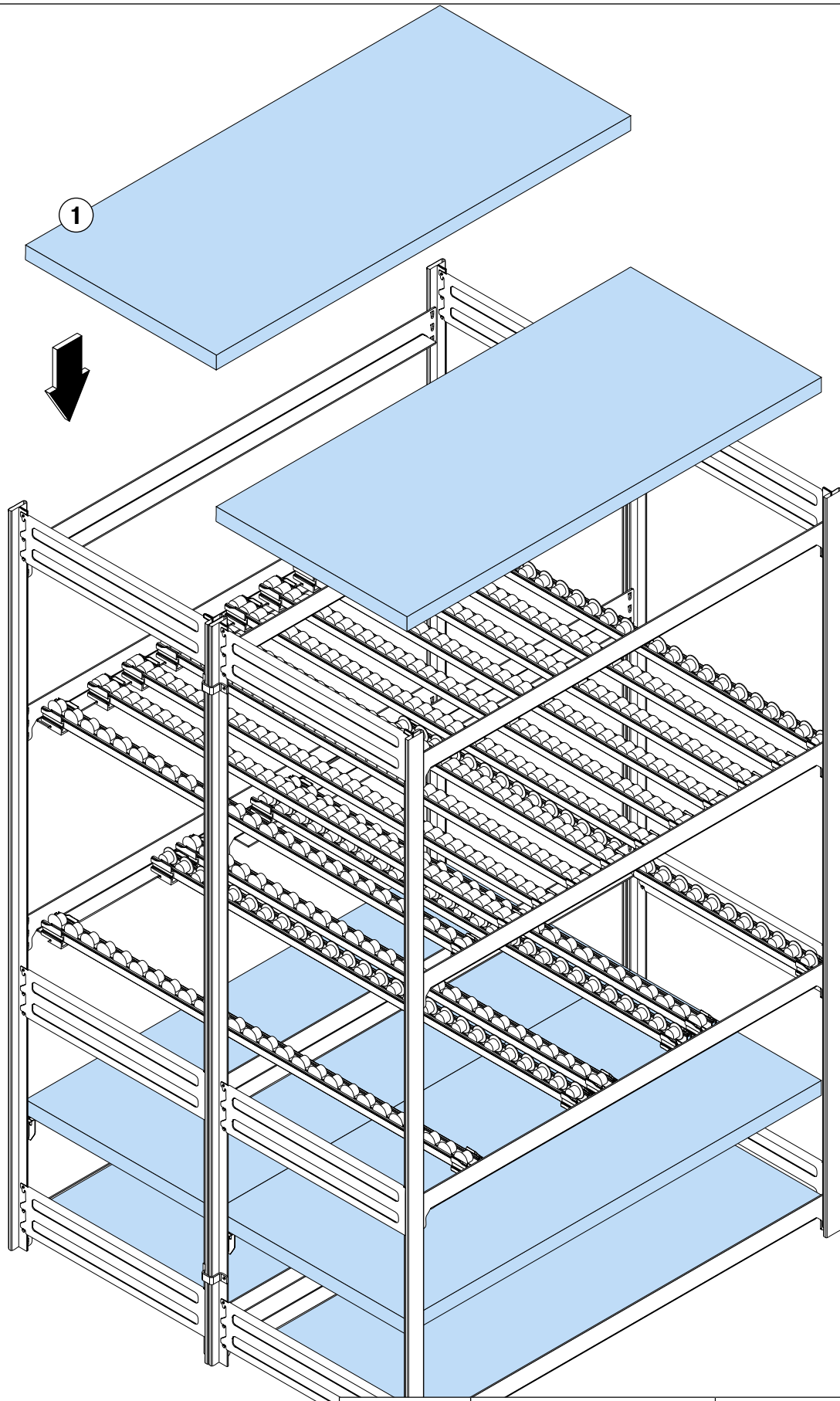




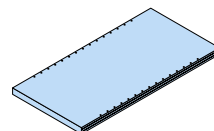
1

**SDS-T direct**





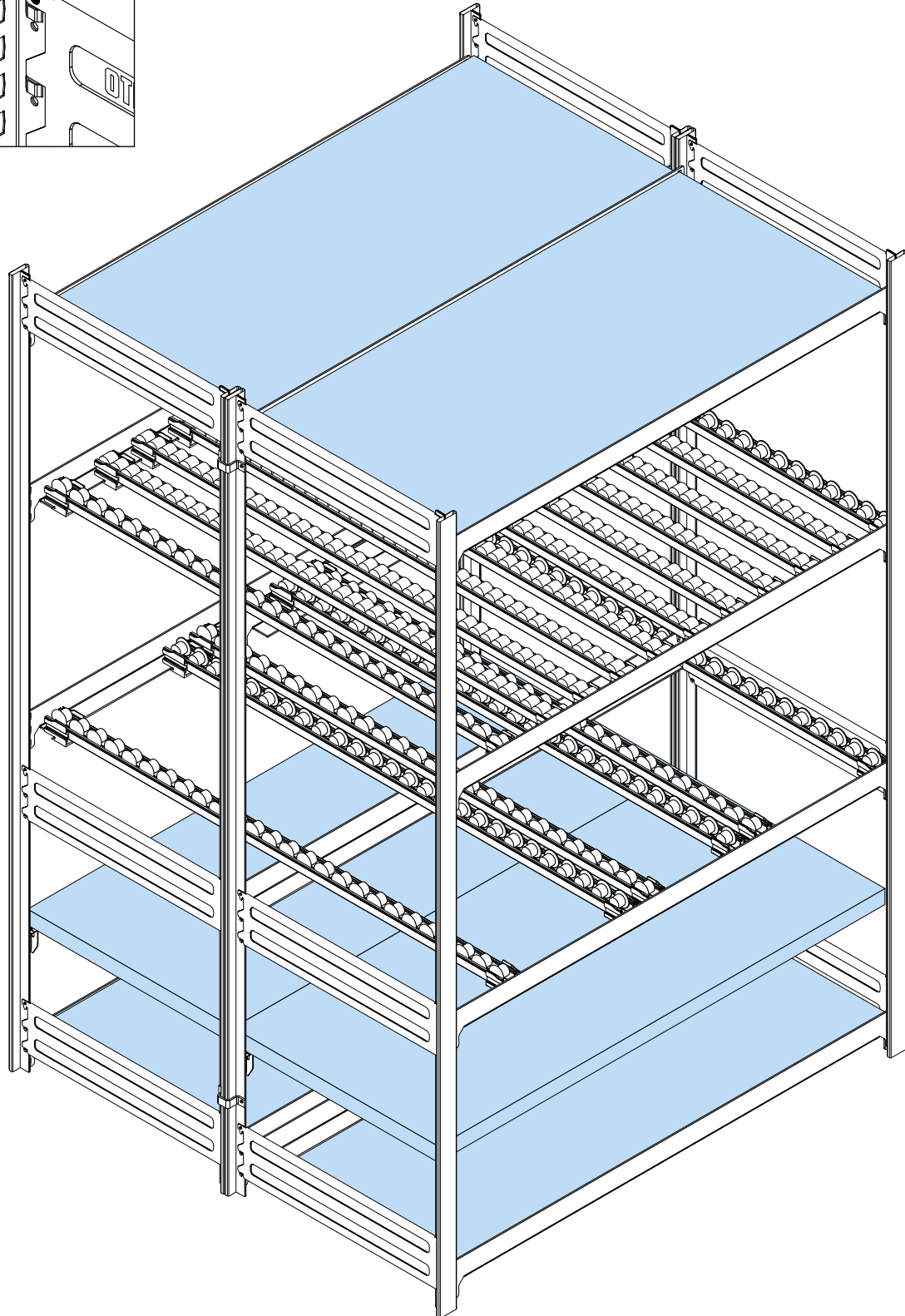
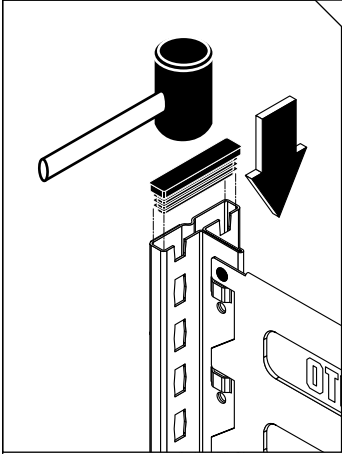
1



6x

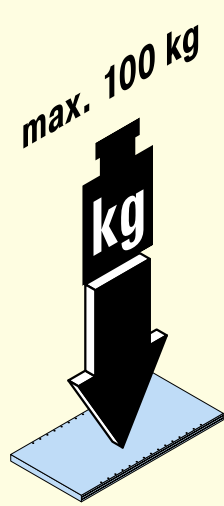
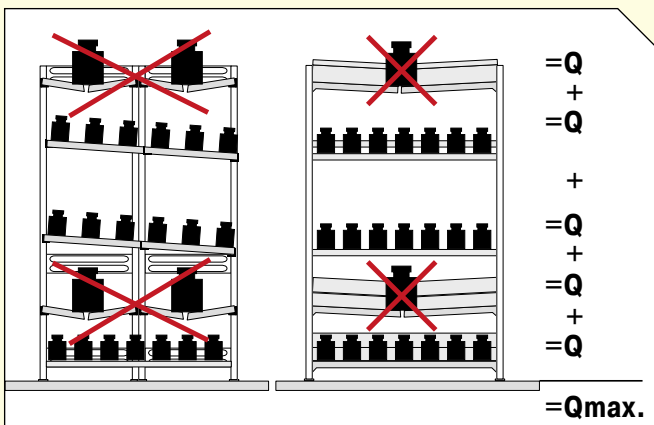


**SDS-T direct**



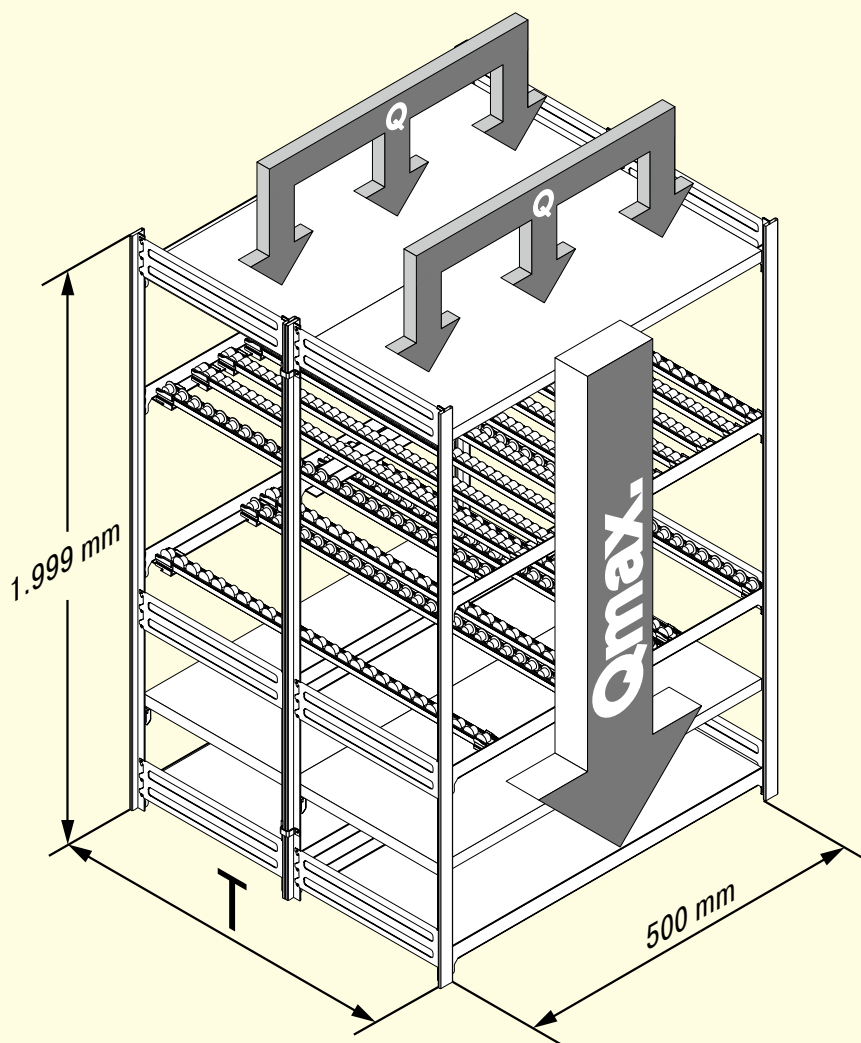
BEREITSTELLREGAL | SUPPLY RACKING





**!**  $\Sigma Q \leq Q_{max}$ .

**$Q_{max} = 2 \times 800 \text{ kg!}$**



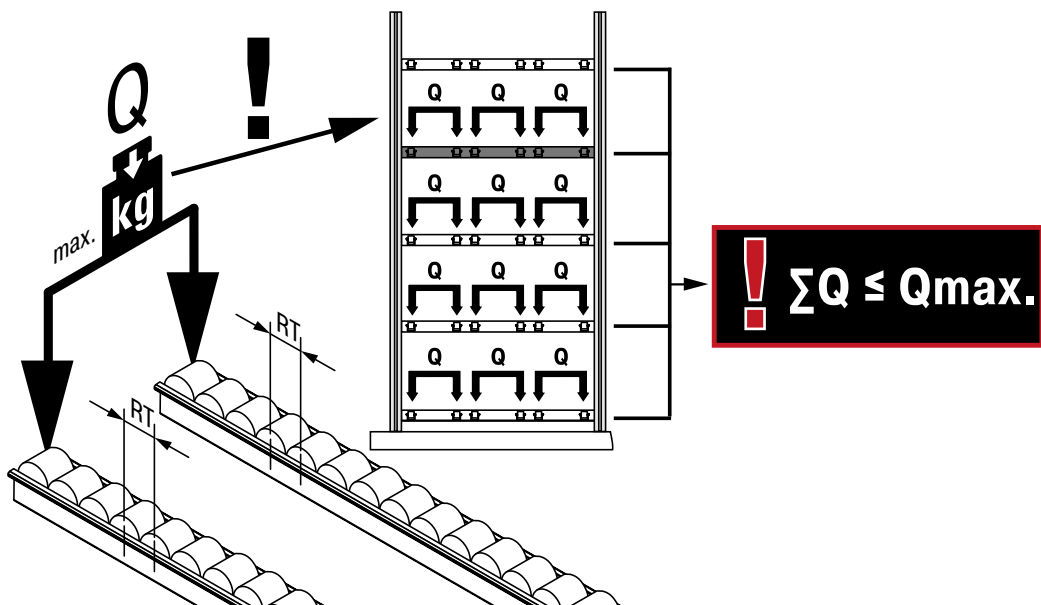
BEREITSTELLREGAL | SUPPLY RACKING



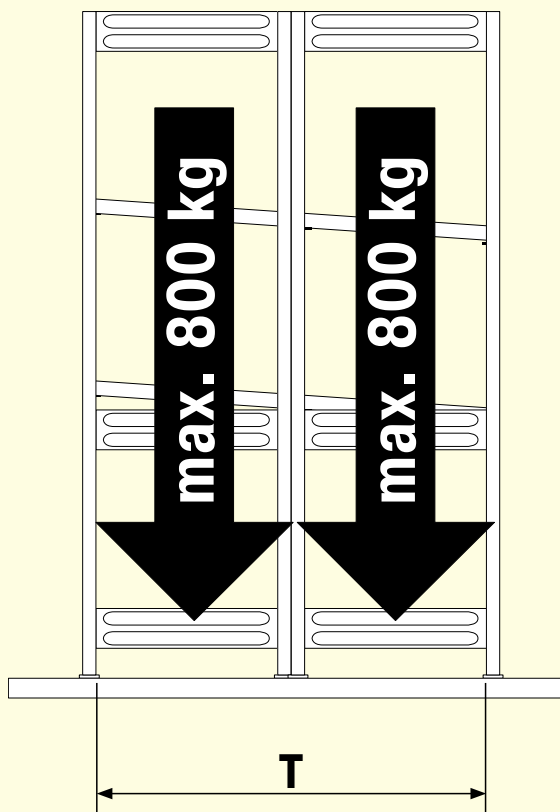


**SDS-T direct**

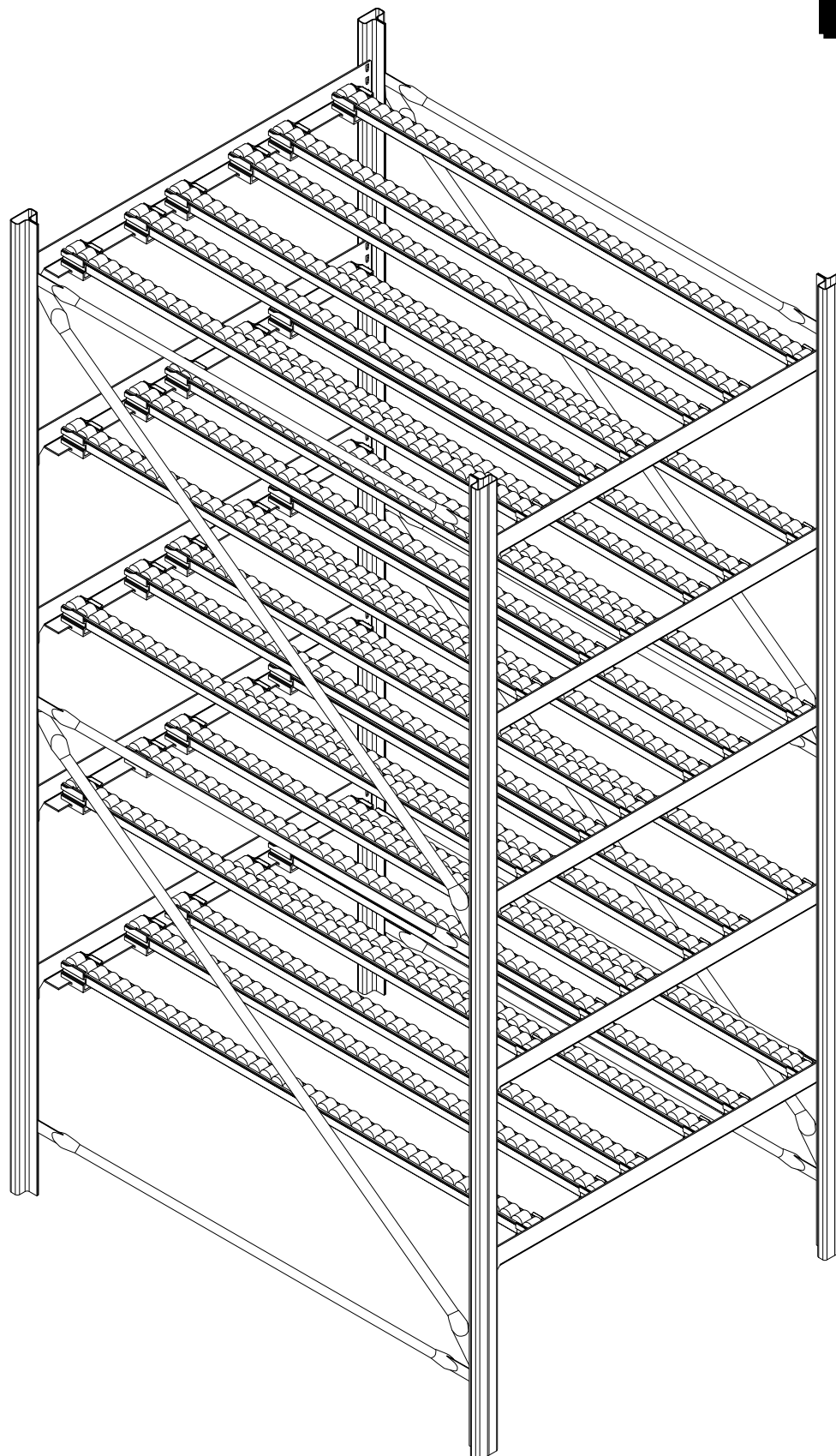
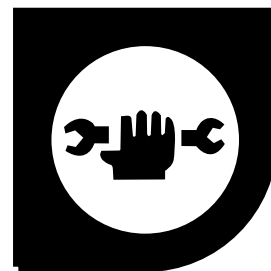
**Qmax.=2 x 800 kg!**



T	max. kg	
	RT 28 mm	RT 42 mm
624 mm	160 Kg	120 Kg
650 mm	152 Kg	125 Kg
824 mm	110 Kg	110 Kg
850 mm	105 Kg	105 Kg
1.050 mm	70 Kg	70 Kg
1.250 mm	50 Kg	50 Kg

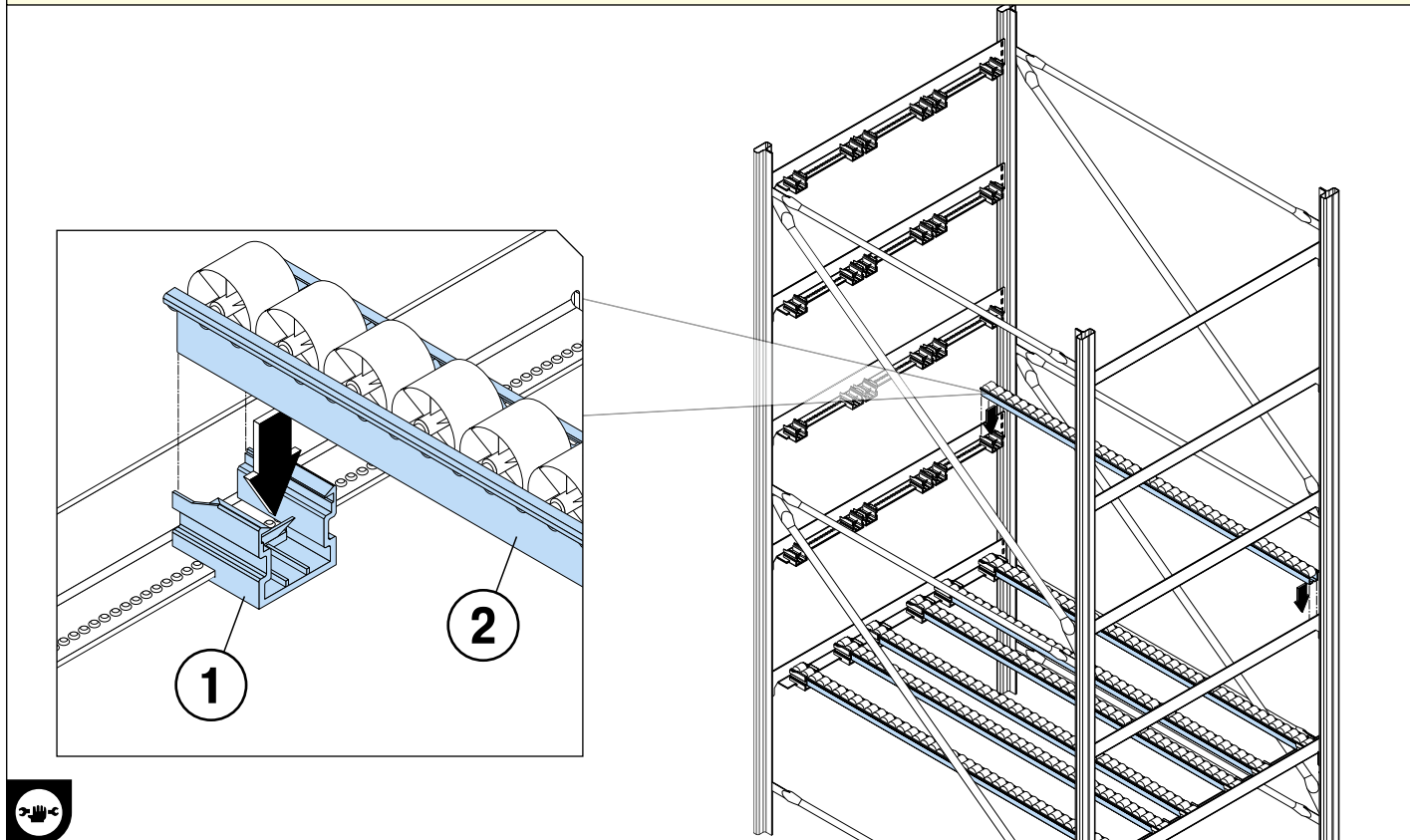
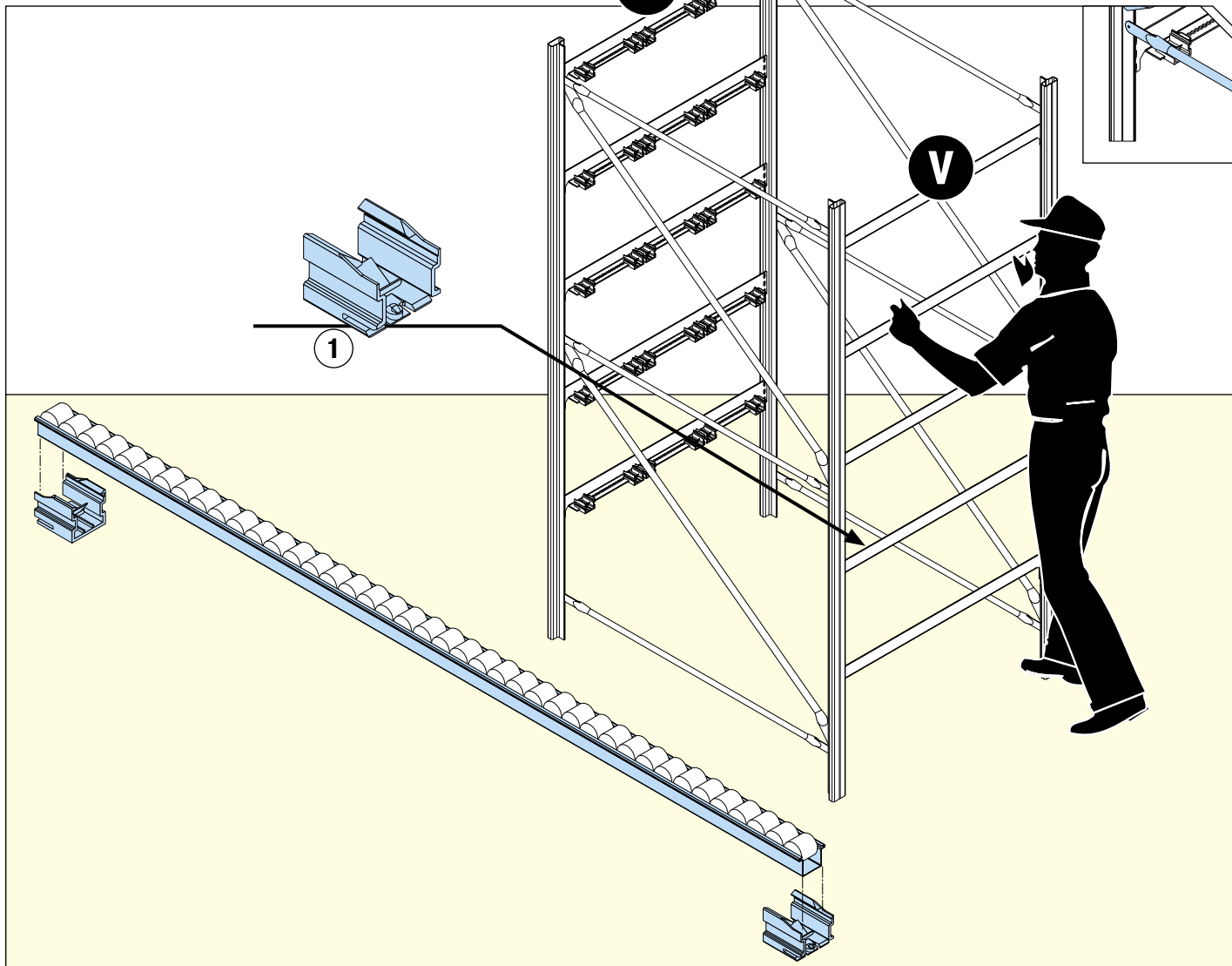


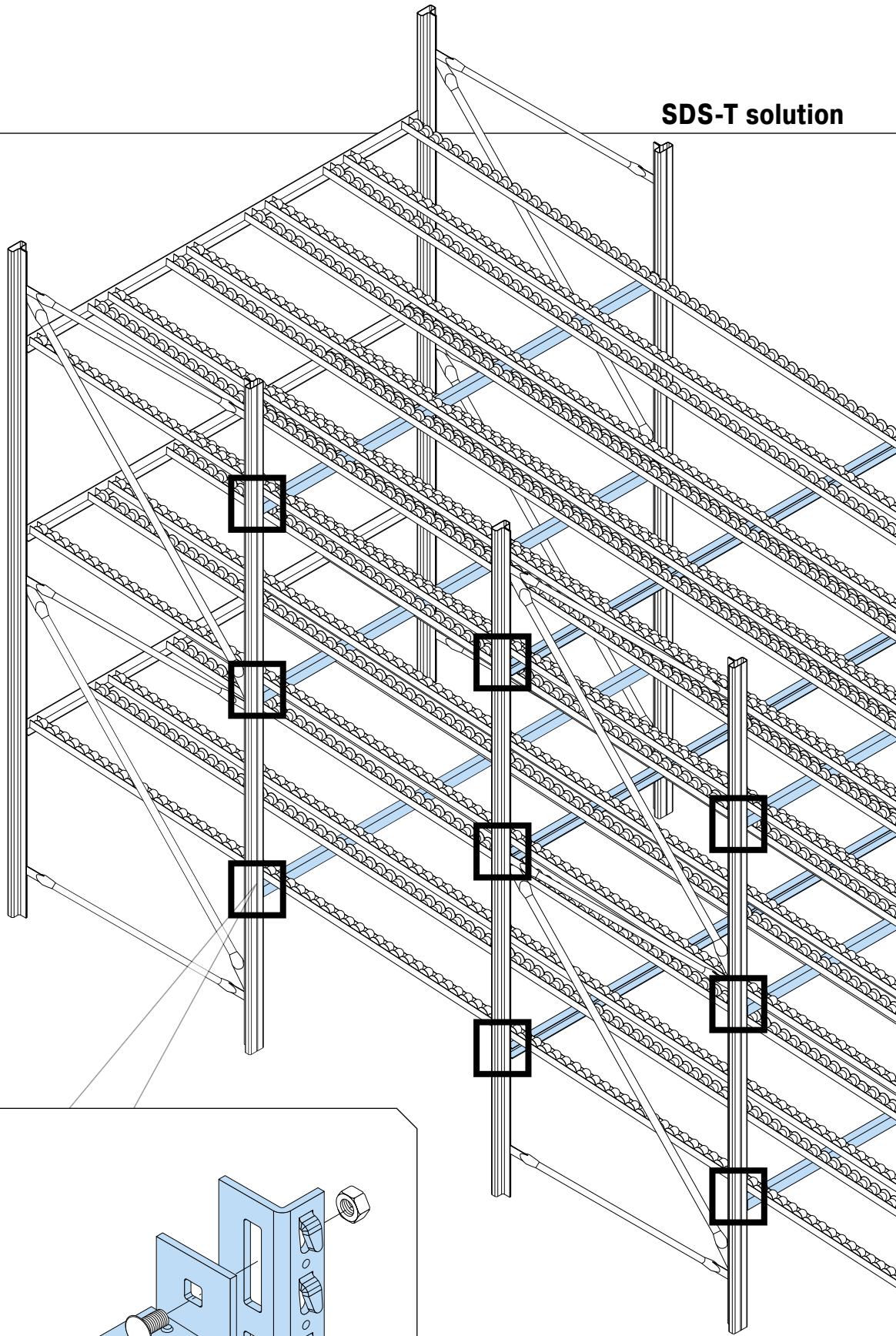
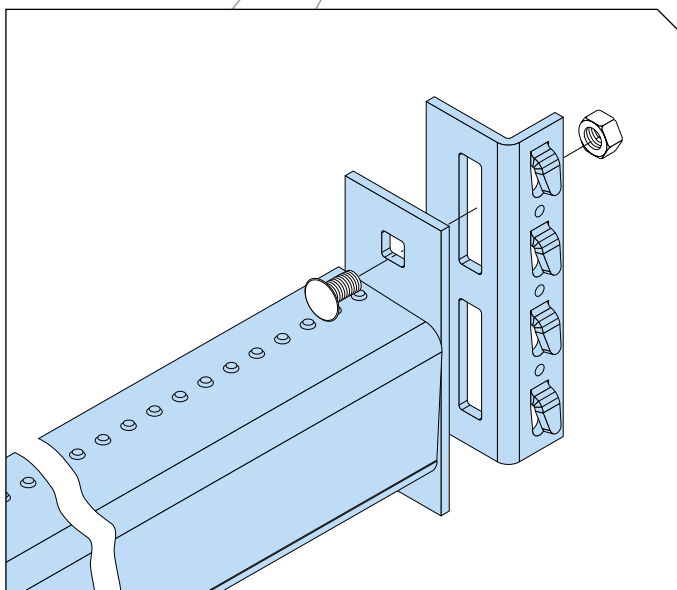
# SDS-T solution



BEREITSTELLREGAL | SUPPLY RACKING

SDS-T solution





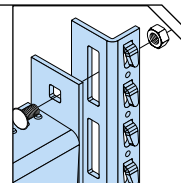
**SDS-T solution**

T: 624, 650, 824, 850, 1.024, 1.050, 1.224, 1.250, 1.270, 1.424 mm

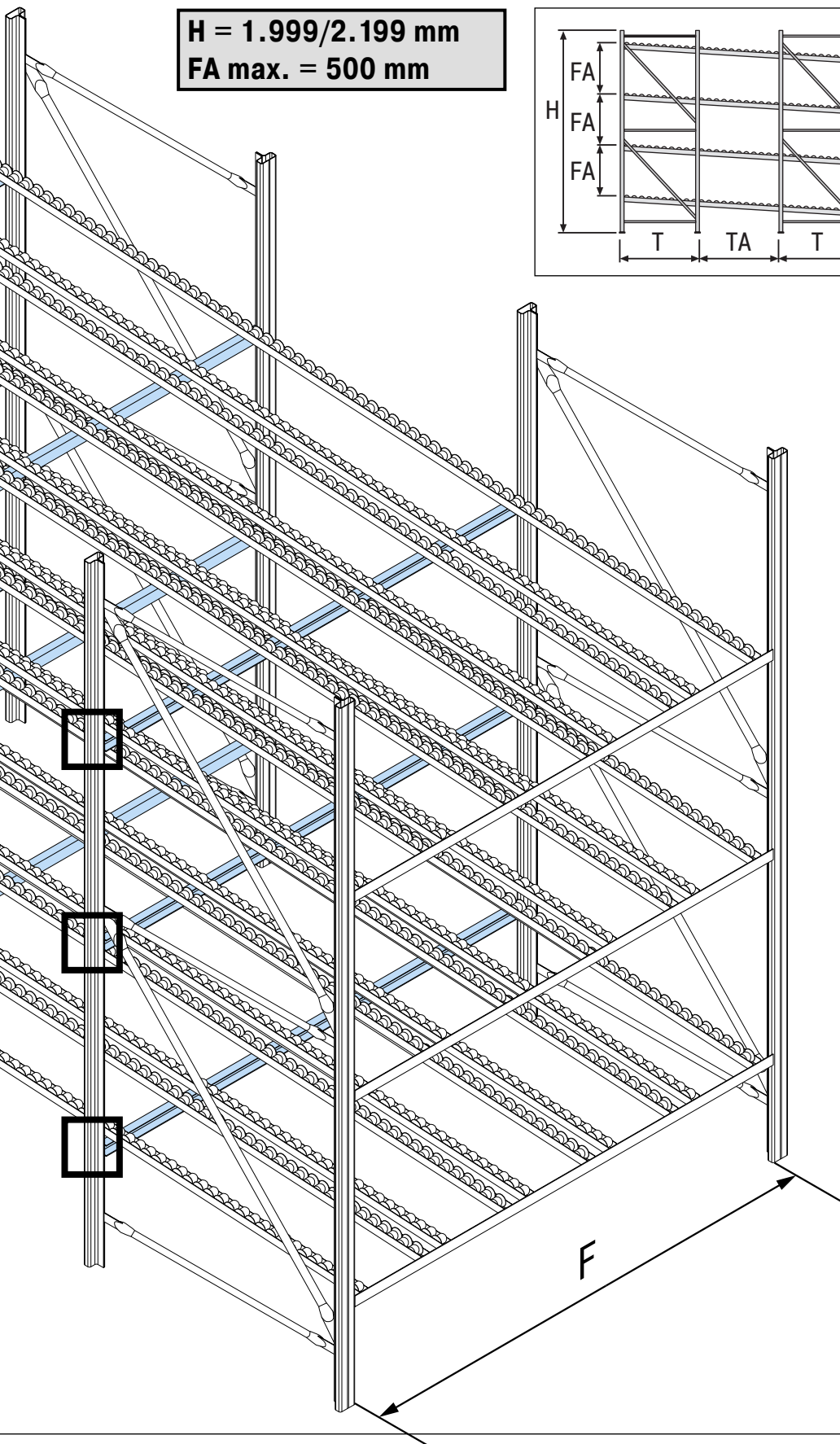
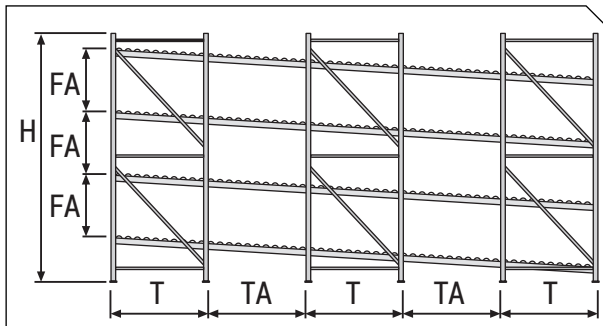
**F**

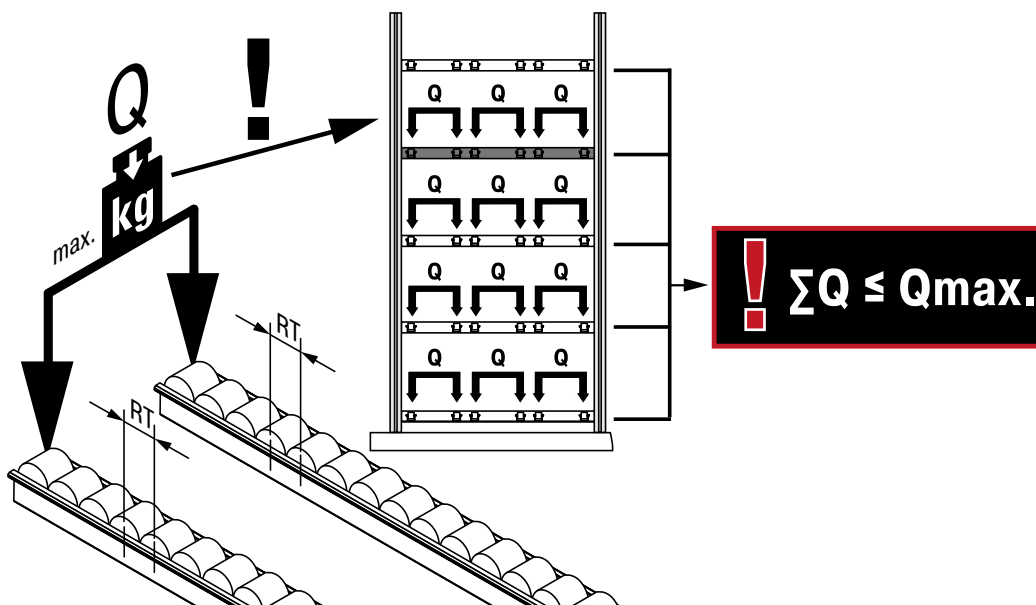
1.350 mm

1.800 mm



**H = 1.999/2.199 mm**  
**FA max. = 500 mm**





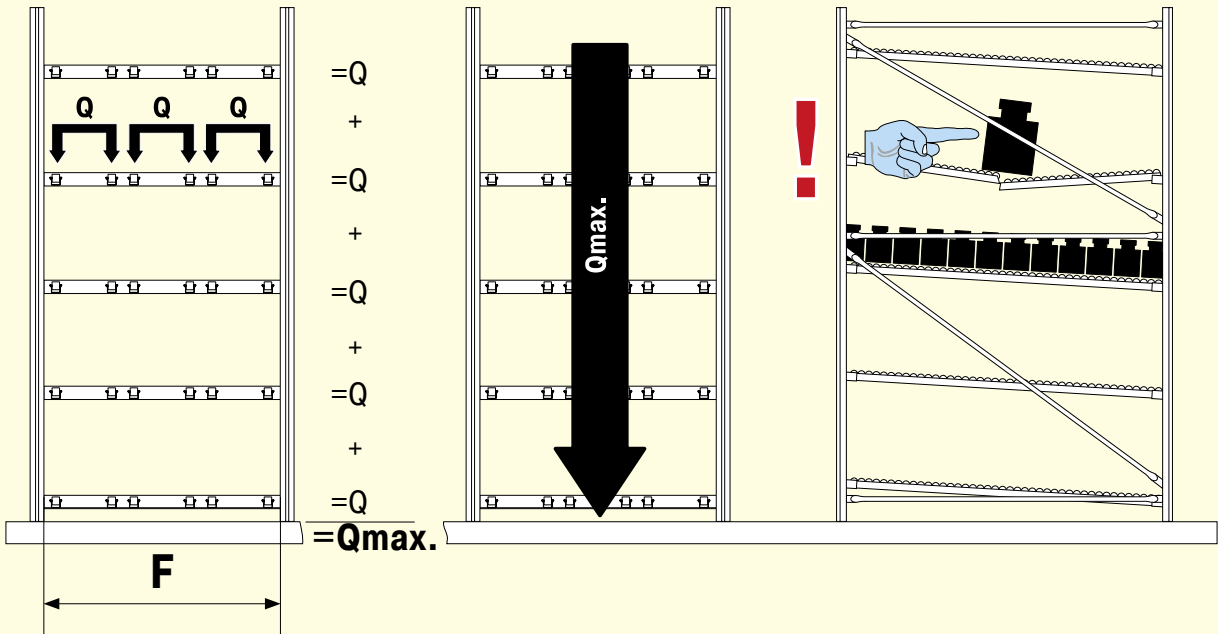
T: 624, 650, 824, 850, 1.024, 1.050, 1.224, 1.250, 1.270, 1.424 mm

**F**

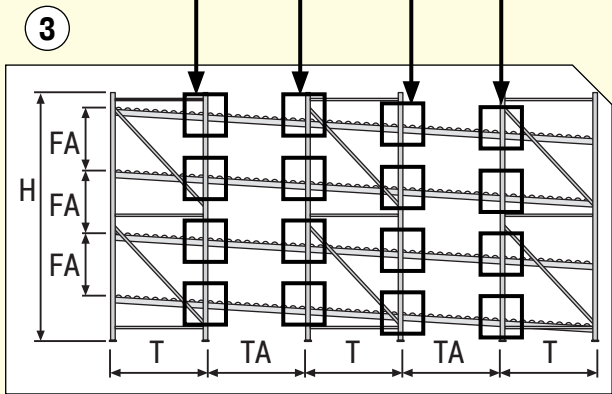
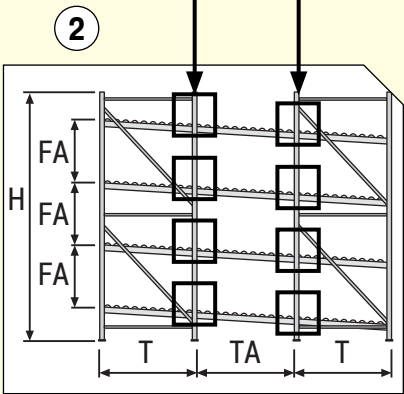
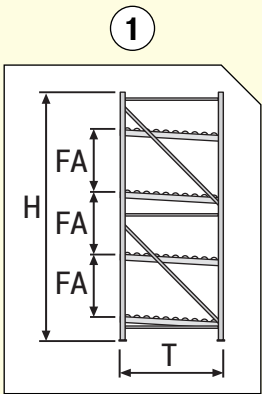
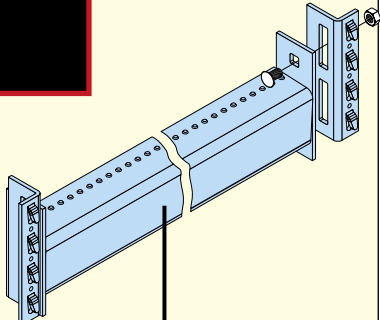
		1.350 mm		1.800 mm
	Q	Qmax	Q	Qmax
①	330 kg	2.300 kg	220 kg	1.100 kg
②	750 kg	3.750 kg	550 kg	2.750 kg
③	1.250 kg	6.250 kg	900 kg	4.500 kg

T=TA	max. kg	
	RT 28 mm	RT 42 mm
624 mm	160 Kg	120 Kg
650 mm	152 Kg	125 Kg
824 mm	110 Kg	110 Kg
850 mm	105 Kg	105 Kg
1.024 mm	75 Kg	75 Kg
1.050 mm	70 Kg	70 Kg
1.224 mm	53 Kg	53 Kg
1.250 mm	50 Kg	50 Kg
1.424 mm	40 Kg	40 Kg
1.270 mm	45 Kg	45 Kg

**SDS-T solution**



**!  $\Sigma Q \leq Q_{max.}$**

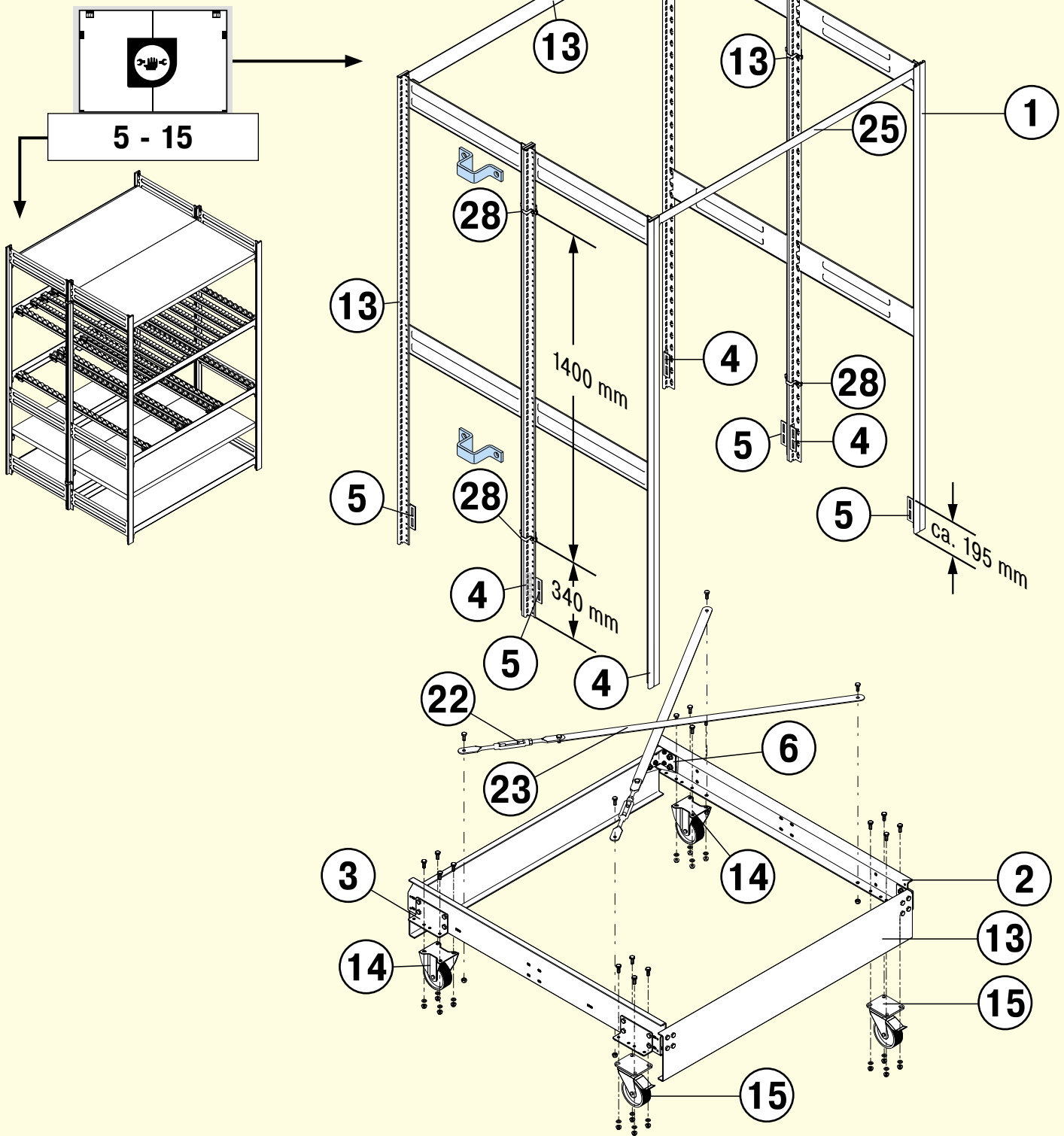


**H = 1.999/2.199 mm**  
**FA max. = 500 mm**



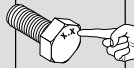
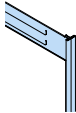
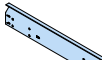





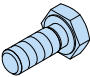




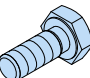

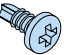






# SDS-T direct verfahrbar/mobile

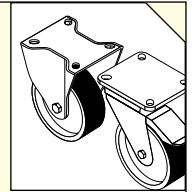
BEREITSTELLREGAL | SUPPLY RACKING



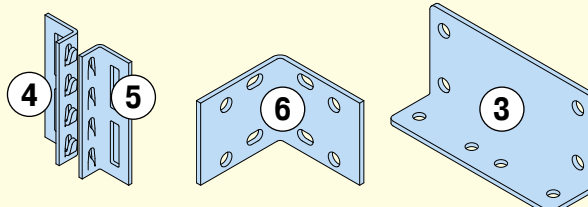


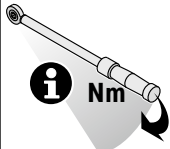
**SDS-T direct**

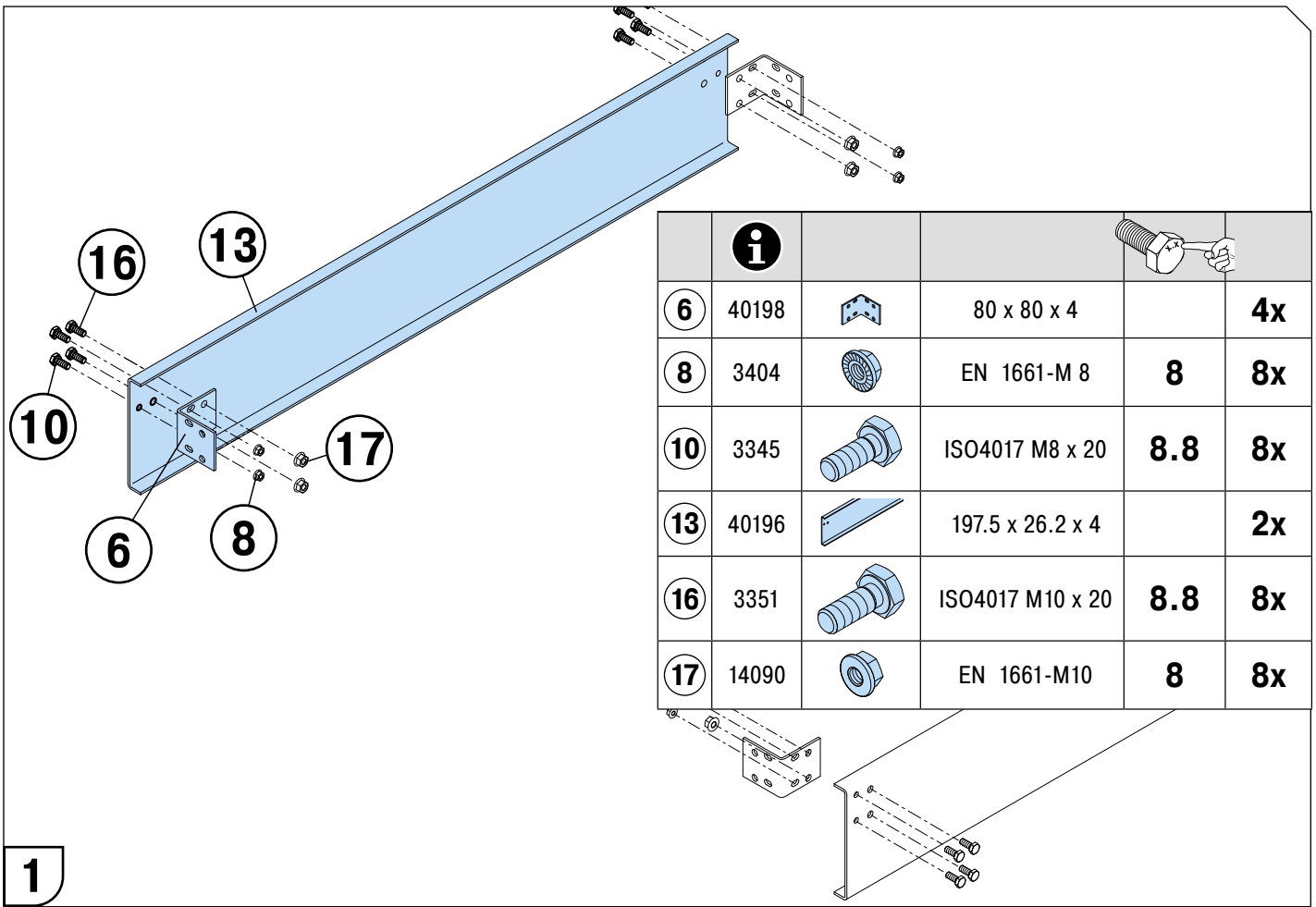
	<b>i</b>				
<b>1</b>	40197				<b>4x</b>
<b>2</b>	40194		Z4 x 129 x 1250		<b>2x</b>
<b>3</b>	25317		80 x 44 x 4		<b>4x</b>
<b>4</b>	7207		Re		<b>4x</b>
<b>5</b>	7208		Li		<b>4x</b>
<b>6</b>	40198		80 x 80 x 4		<b>4x</b>
<b>8</b>	3404		EN 1661-M 8	<b>8</b>	<b>24x</b>
<b>10</b>	3345		ISO4017 M8 x 20	<b>8.8</b>	<b>40x</b>
<b>11</b>	3399		ISO 7042-M 8	<b>8</b>	<b>16x</b>
<b>13</b>	40196		197.5 x 26.2 x 4		<b>2x</b>
<b>14</b>	16902				<b>2x</b>
<b>15</b>	16903				<b>2x</b>
<b>16</b>	3351		ISO4017 M10 x 20	<b>8.8</b>	<b>22x</b>
<b>17</b>	14090		EN 1661-M10	<b>8</b>	<b>24x</b>
<b>18</b>	11855		ISO15481		<b>12x</b>
<b>22</b>	3743				<b>2x</b>
<b>23</b>	33272		35 x 3 x 1125		<b>2x</b>
<b>24</b>	22960		ISO 7042-M10	<b>8</b>	<b>6x</b>
<b>25</b>	7711				<b>10x</b>
<b>28</b>	15969				<b>8x</b>
<b>29</b>	3431		ISO 7089-A		<b>16x</b>

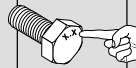


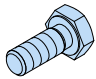
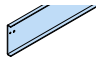
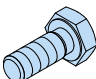



BEREITSTELLREGAL | SUPPLY RACKING

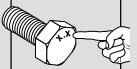


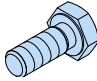



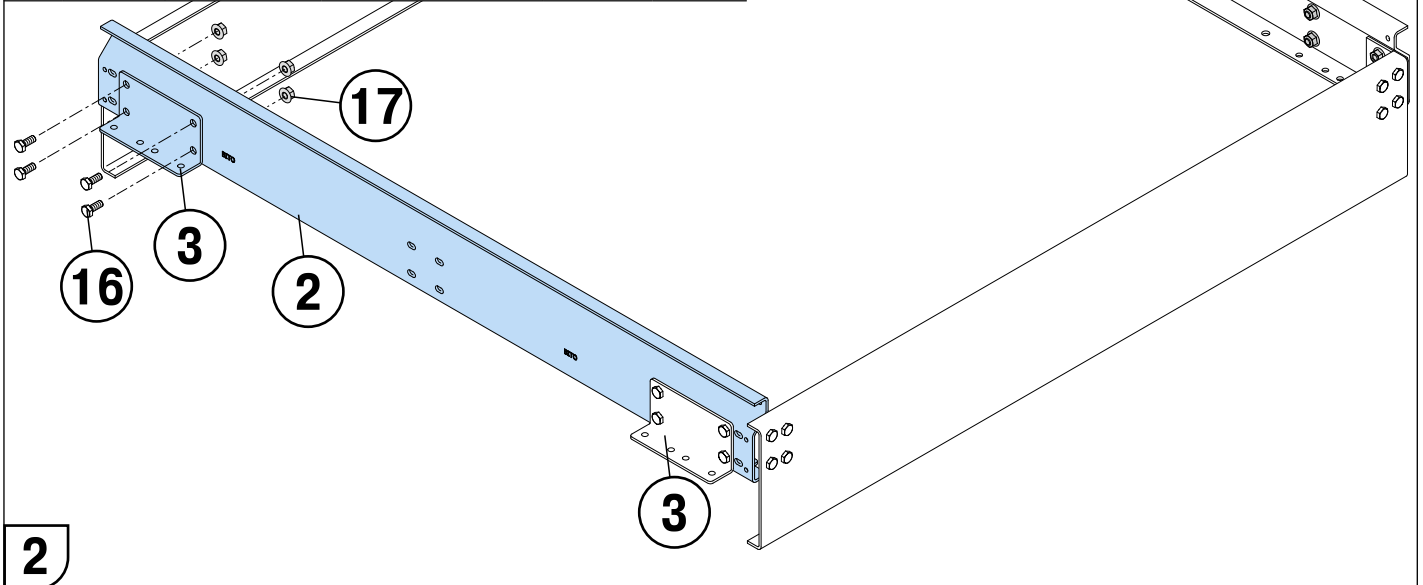
M6-8.8	8 Nm	
M8-8.8	22 Nm	
M10-8.8	45 Nm	
M10-10.9	70 Nm	
M12-8.8	70 Nm	
M12-10.9	110 Nm	



	<b>i</b>				
<b>6</b>	40198		80 x 80 x 4		<b>4x</b>
<b>8</b>	3404		EN 1661-M 8	<b>8</b>	<b>8x</b>
<b>10</b>	3345		ISO4017 M8 x 20	<b>8.8</b>	<b>8x</b>
<b>13</b>	40196		197.5 x 26.2 x 4		<b>2x</b>
<b>16</b>	3351		ISO4017 M10 x 20	<b>8.8</b>	<b>8x</b>
<b>17</b>	14090		EN 1661-M10	<b>8</b>	<b>8x</b>

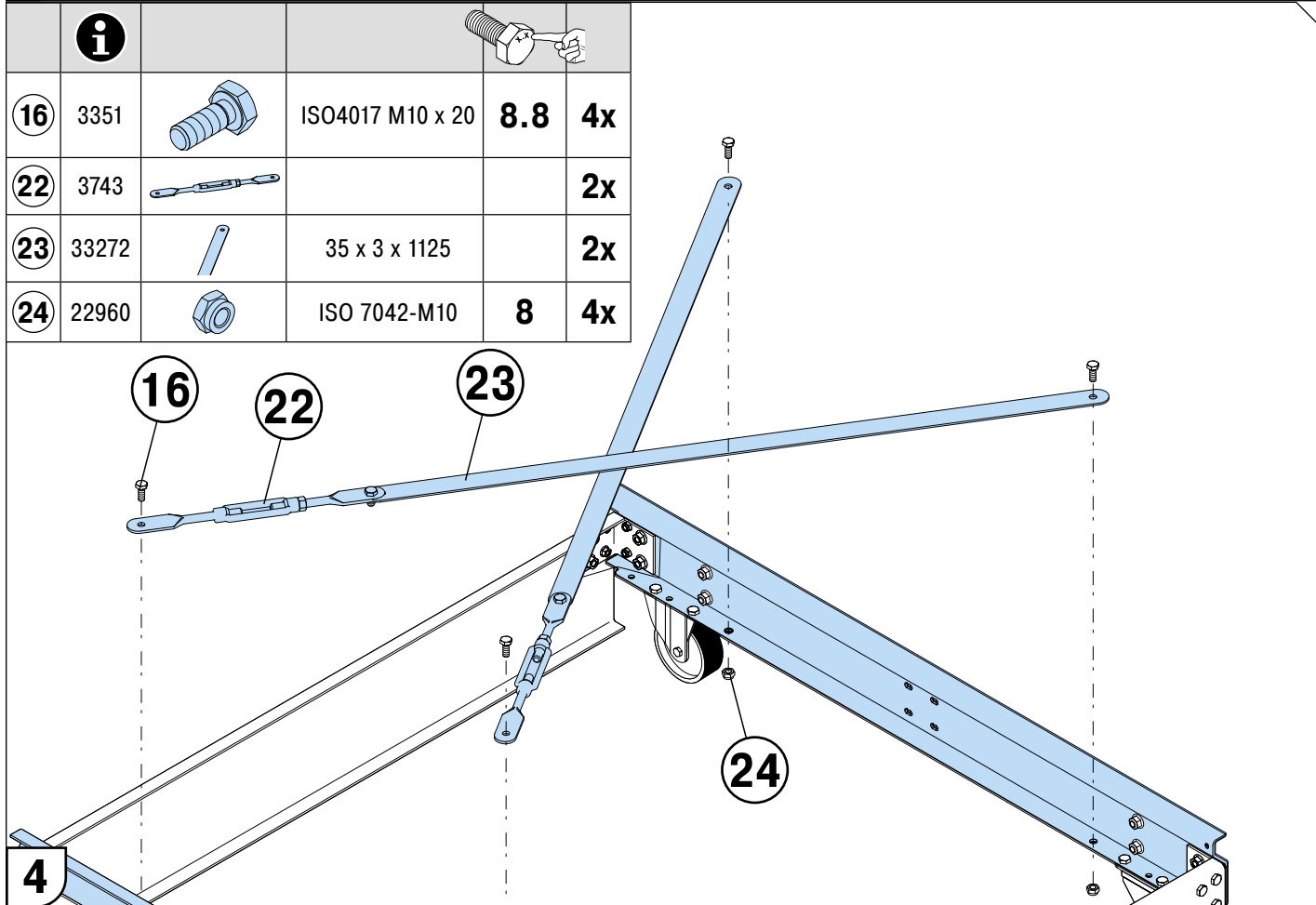
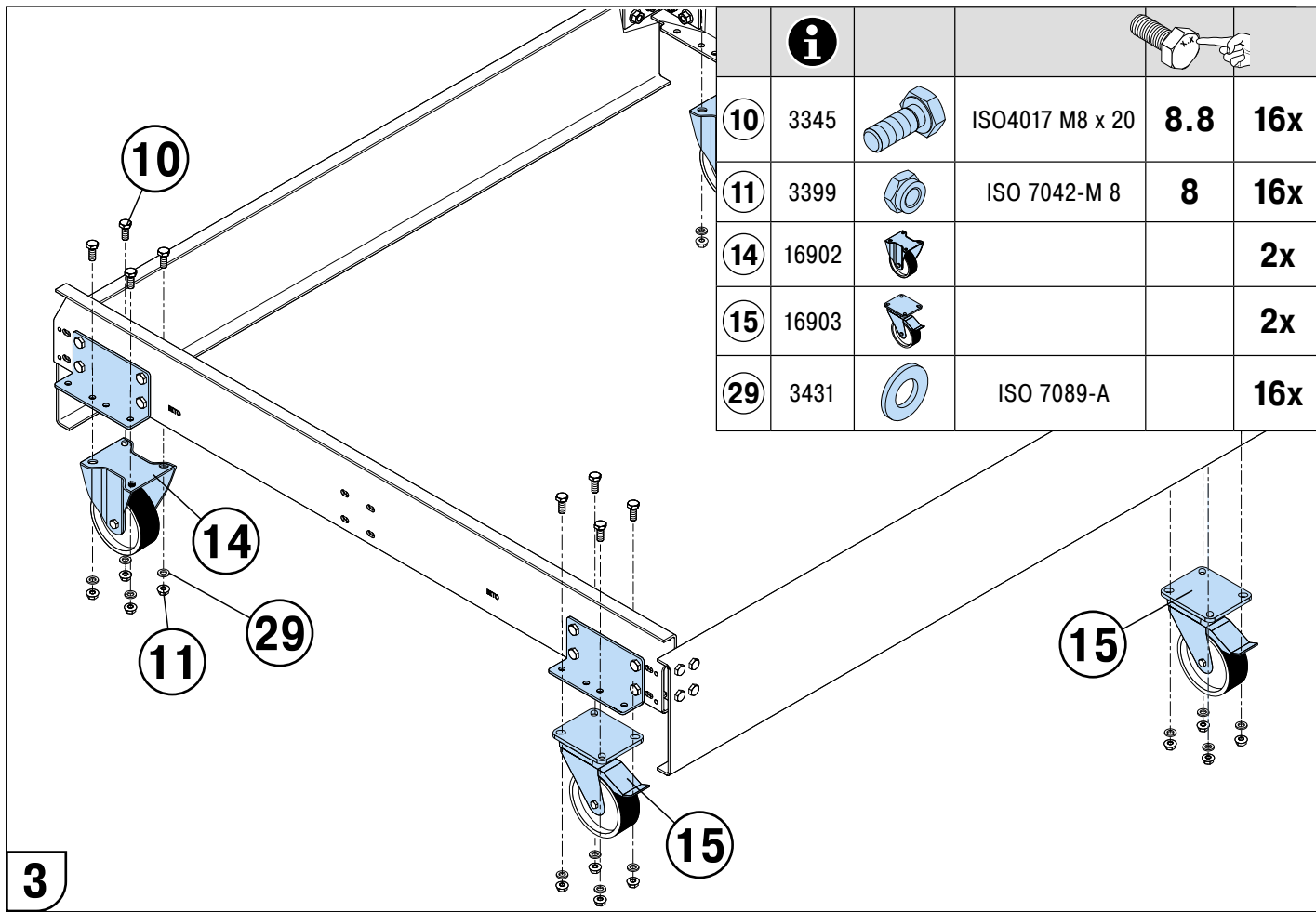
**1**

	<b>i</b>				
<b>2</b>	40194		Z4 x 129 x 1250		<b>2x</b>
<b>3</b>	25317		80 x 44 x 4		<b>4x</b>
<b>16</b>	3351		ISO4017 M10 x 20	<b>8.8</b>	<b>16x</b>
<b>17</b>	14090		EN 1661-M10	<b>8</b>	<b>16x</b>

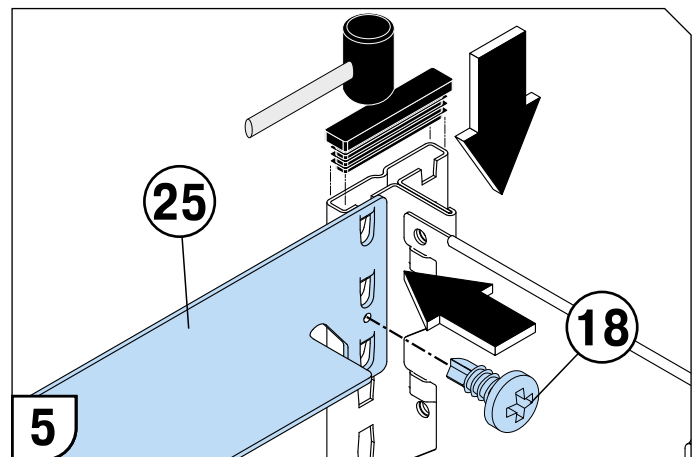
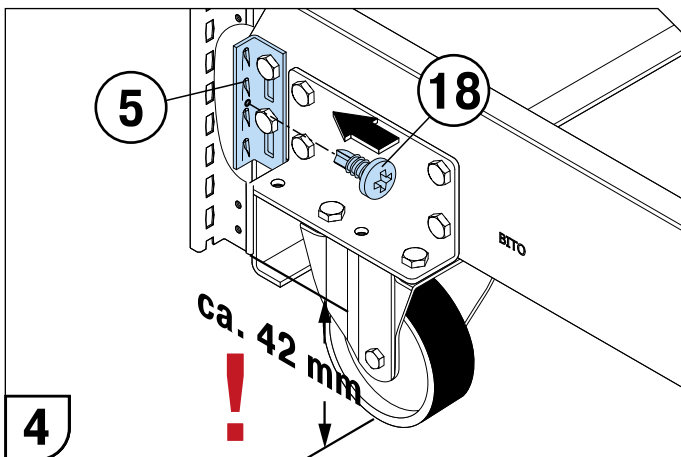
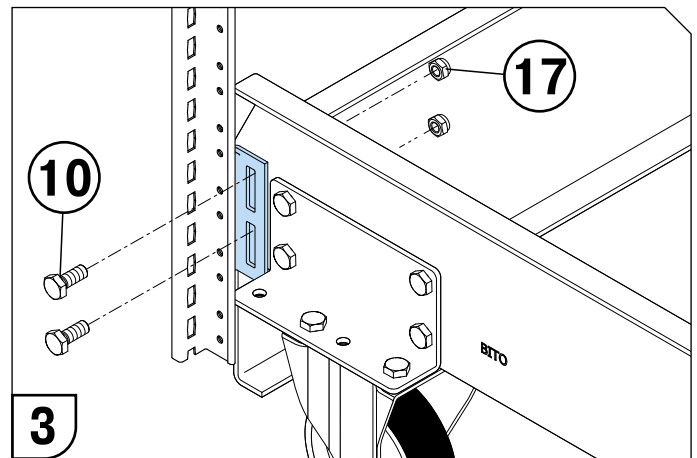
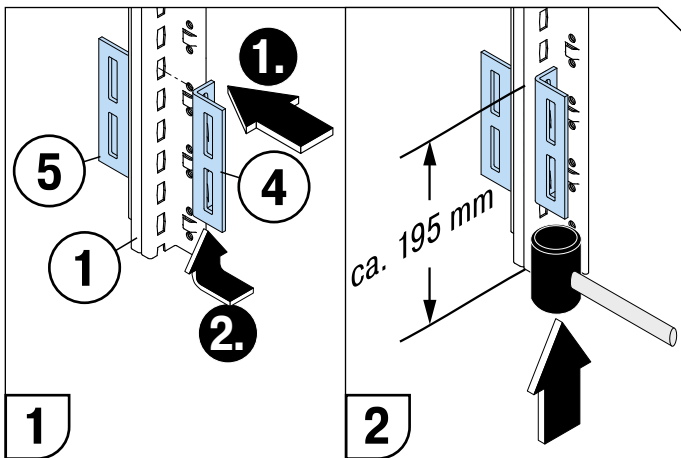


**2**

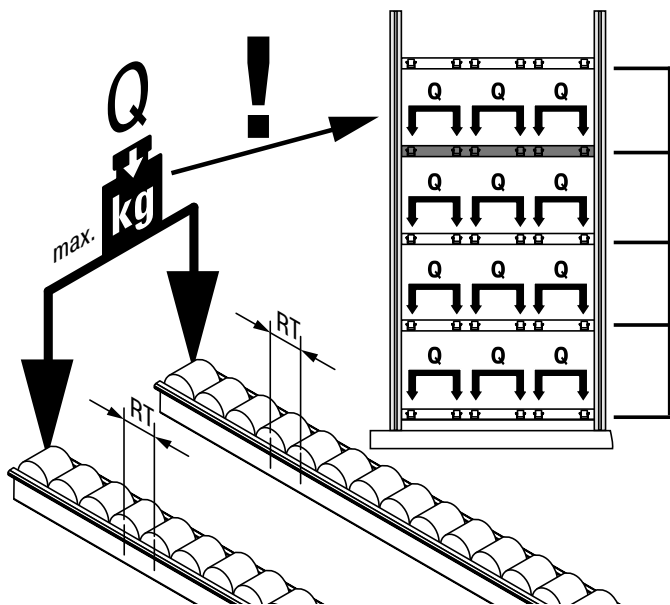
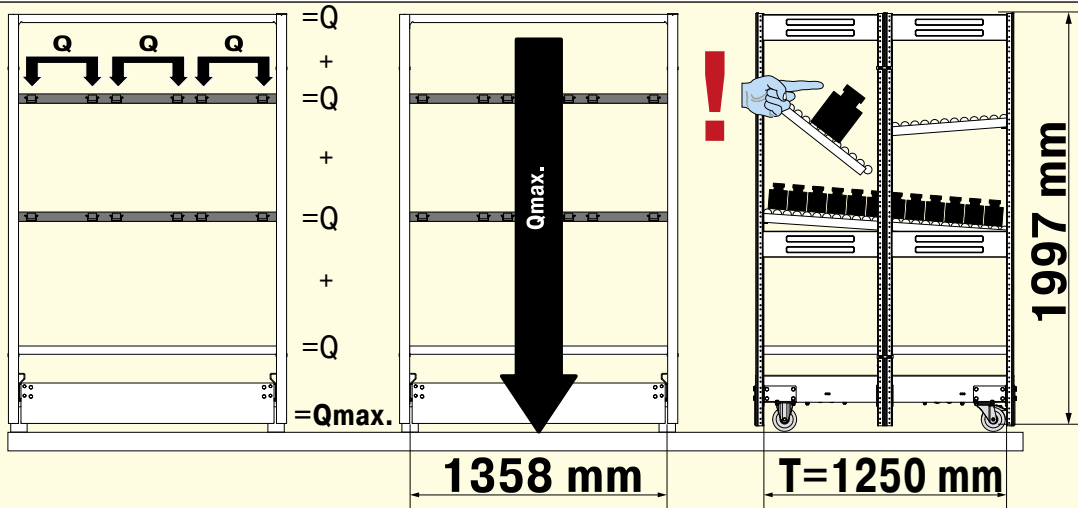
**SDS-T direct**



<b>i</b>				
<b>1</b>	40197			<b>2x</b>
<b>4</b>	7207		Re	<b>4x</b>
<b>5</b>	7208		Li	<b>4x</b>
<b>10</b>	3345		ISO4017 M8 x 20	<b>8.8 16x</b>
<b>17</b>	14090		EN 1661-M10	<b>8 16x</b>
<b>18</b>	11855		ISO15481	<b>8x</b>
<b>25</b>	7711			<b>2x</b>
<b>28</b>	15969			<b>8x</b>



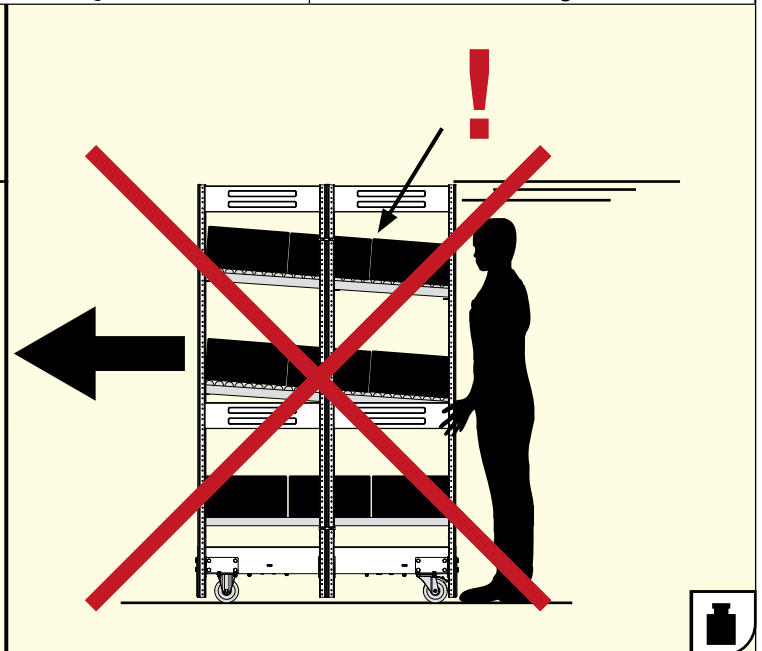
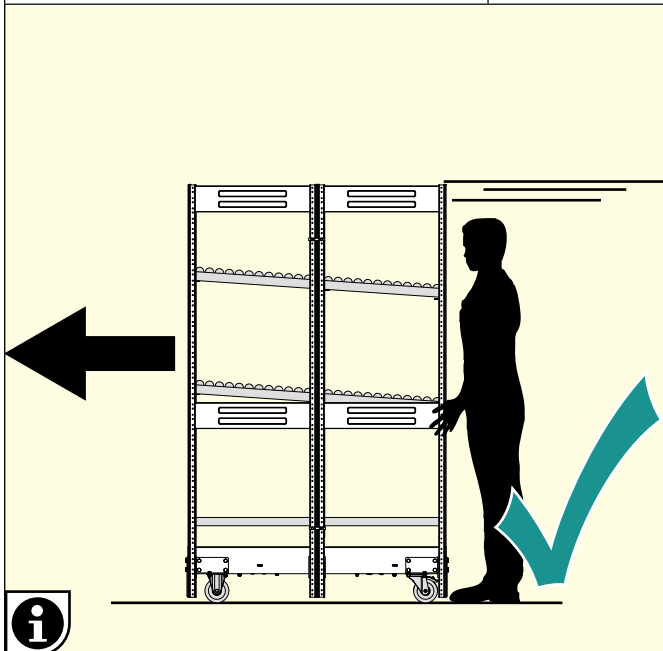
**SDS-T direct**



**!  $\Sigma Q \leq Q_{max.}$**

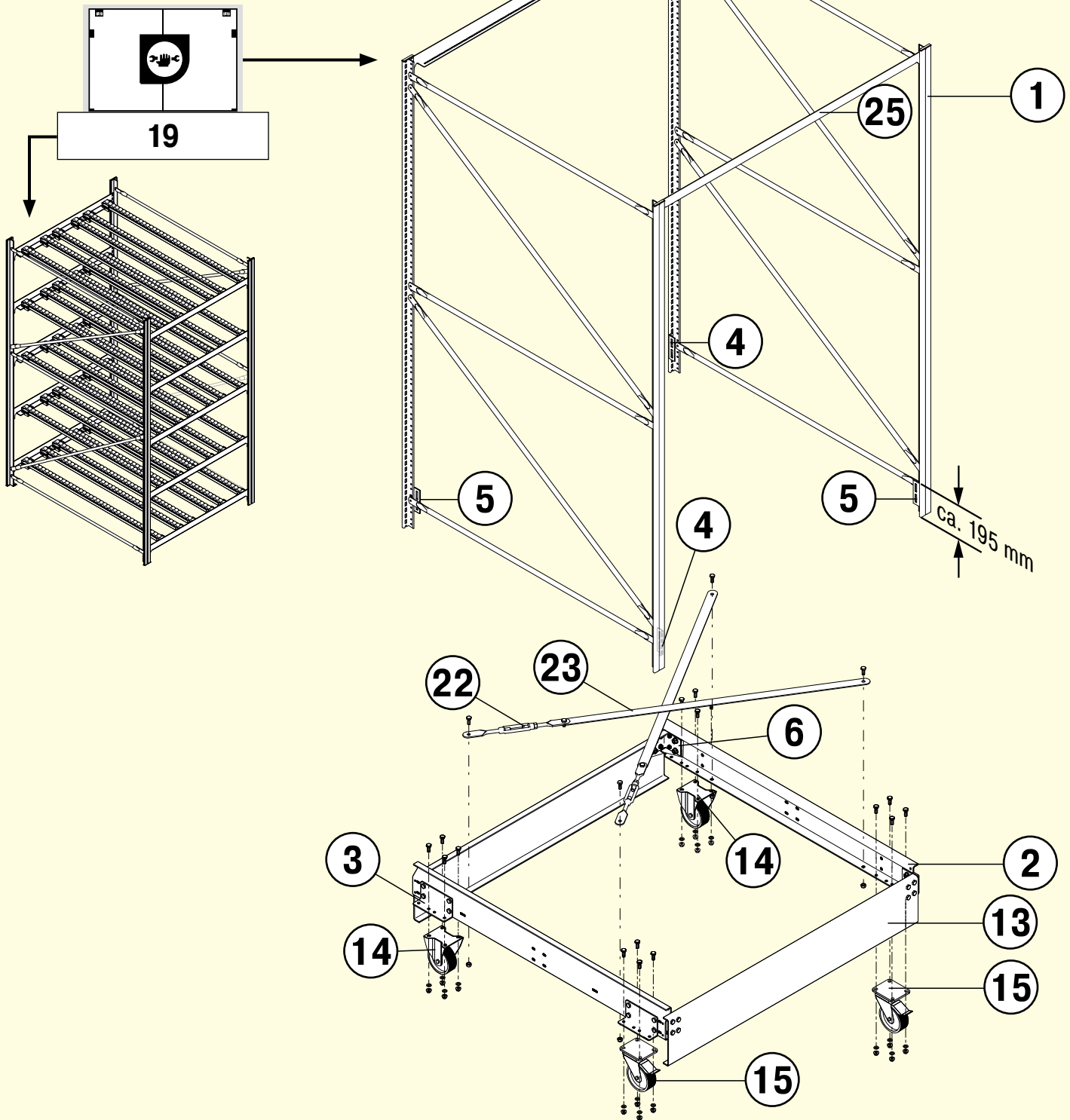
**$Q_{max.} = 1 \times 1000 \text{ kg!}$**

T=TA	max. kg	
	RT 28 mm	RT 42 mm
1.250 mm	50 Kg	50 Kg

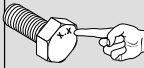
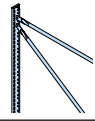
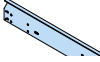





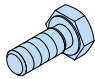




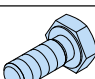
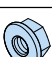
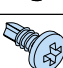
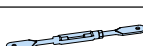


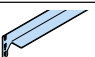



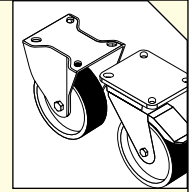
# SDS-T solution verfahrbar/mobile

BEREITSTELLREGAL | SUPPLY RACKING

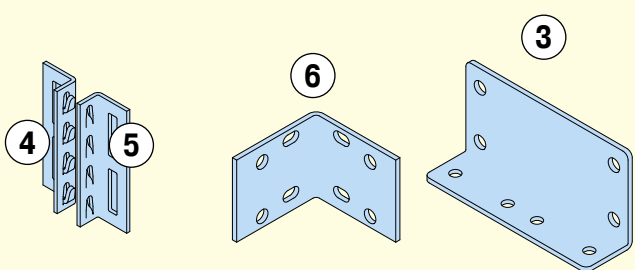


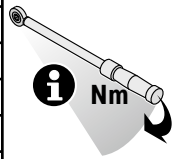
**SDS-T solution**

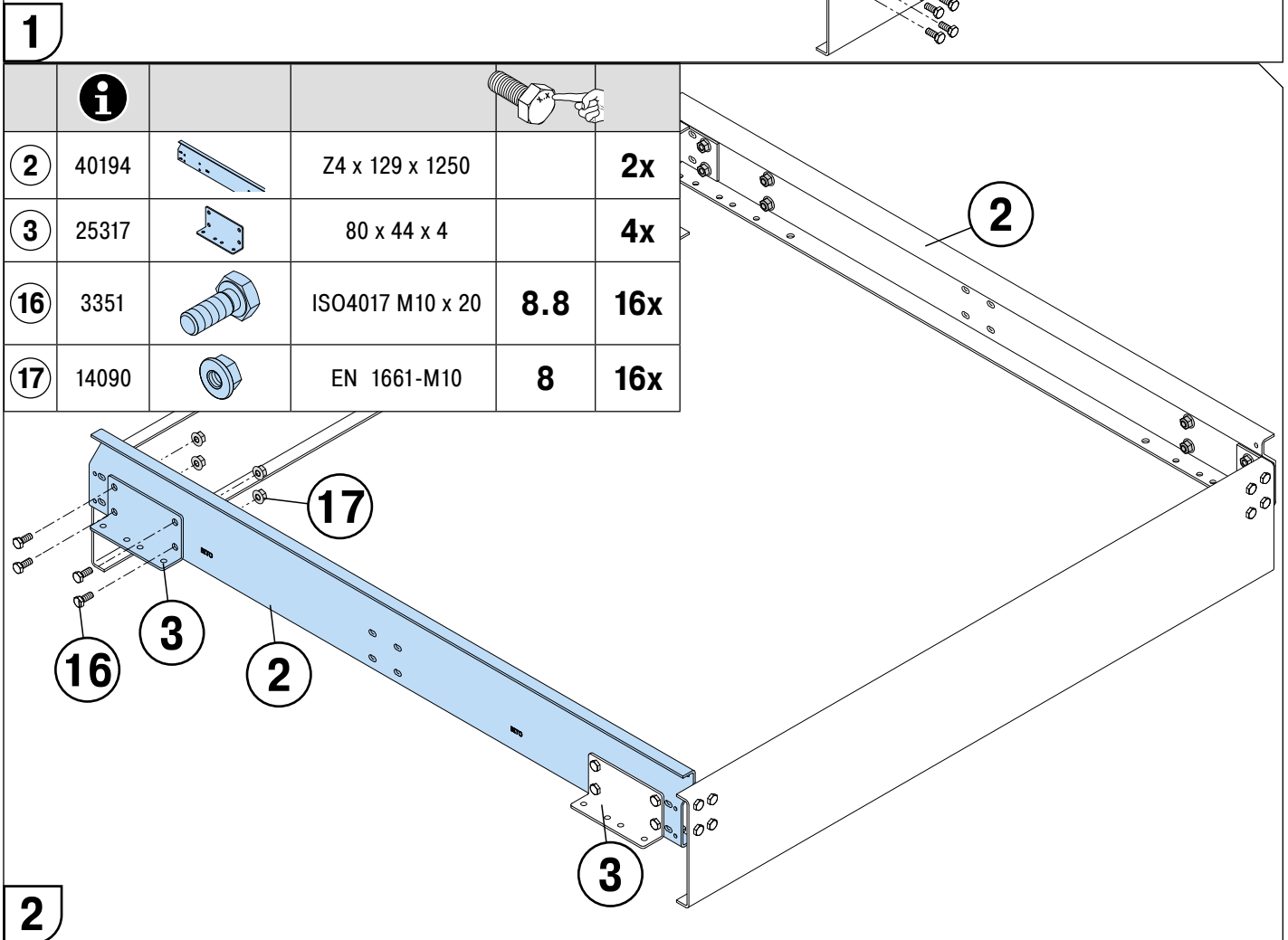
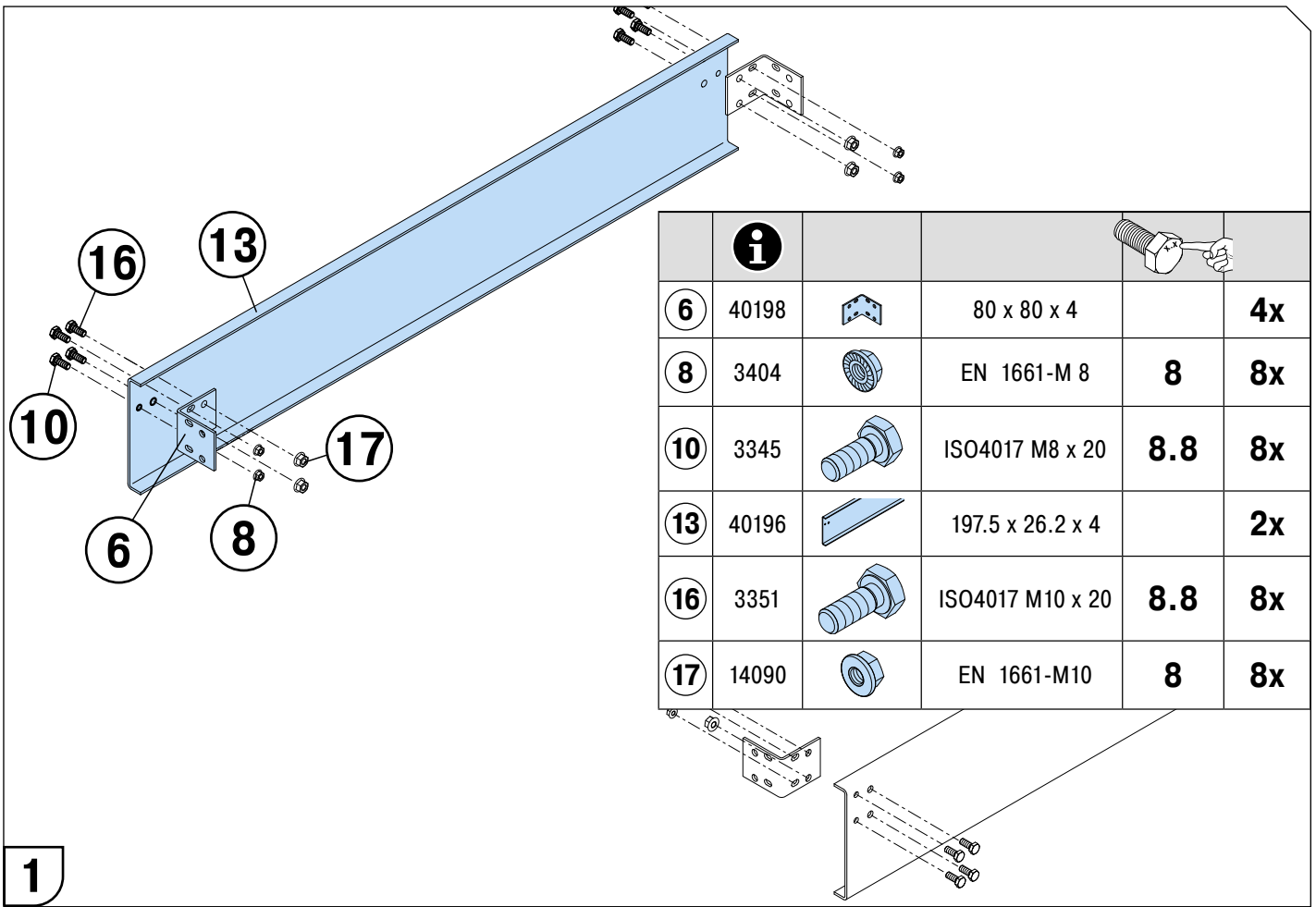
	<b>i</b>				
<b>1</b>	40192				<b>2x</b>
<b>2</b>	40194		Z4 x 129 x 1250		<b>2x</b>
<b>3</b>	25317		80 x 44 x 4		<b>4x</b>
<b>4</b>	7207		Re		<b>2x</b>
<b>5</b>	7208		Li		<b>2x</b>
<b>6</b>	40198		80 x 80 x 4		<b>4x</b>
<b>8</b>	3404		EN 1661-M 8	<b>8</b>	<b>24x</b>
<b>10</b>	3345		ISO4017 M8 x 20	<b>8.8</b>	<b>40x</b>
<b>11</b>	3399		ISO 7042-M 8	<b>8</b>	<b>16x</b>
<b>13</b>	40196		197.5 x 26.2 x 4		<b>2x</b>
<b>14</b>	16902				<b>2x</b>
<b>15</b>	16903				<b>2x</b>
<b>16</b>	3351		ISO4017 M10 x 20	<b>8.8</b>	<b>22x</b>
<b>17</b>	14090		EN 1661-M10	<b>8</b>	<b>24x</b>
<b>18</b>	11855		ISO15481		<b>8x</b>
<b>22</b>	3743				<b>2x</b>
<b>23</b>	25336		35 x 3 x 1256		<b>2x</b>
<b>24</b>	22960		ISO 7042-M10	<b>8</b>	<b>6x</b>
<b>25</b>	7711				<b>10x</b>
<b>29</b>	3431		ISO 7089-A		<b>16x</b>



BEREITSTELLREGAL | SUPPLY RACKING

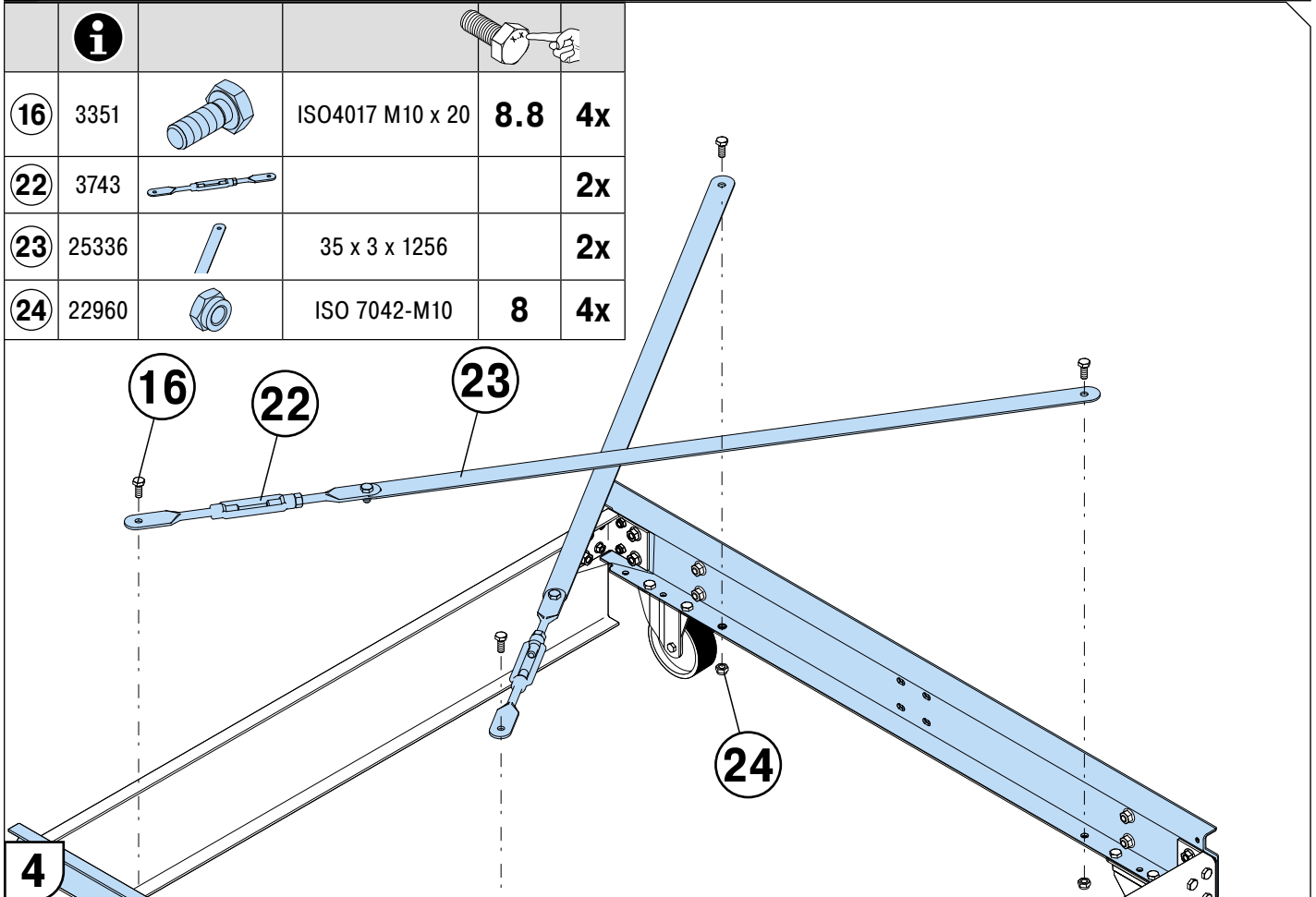
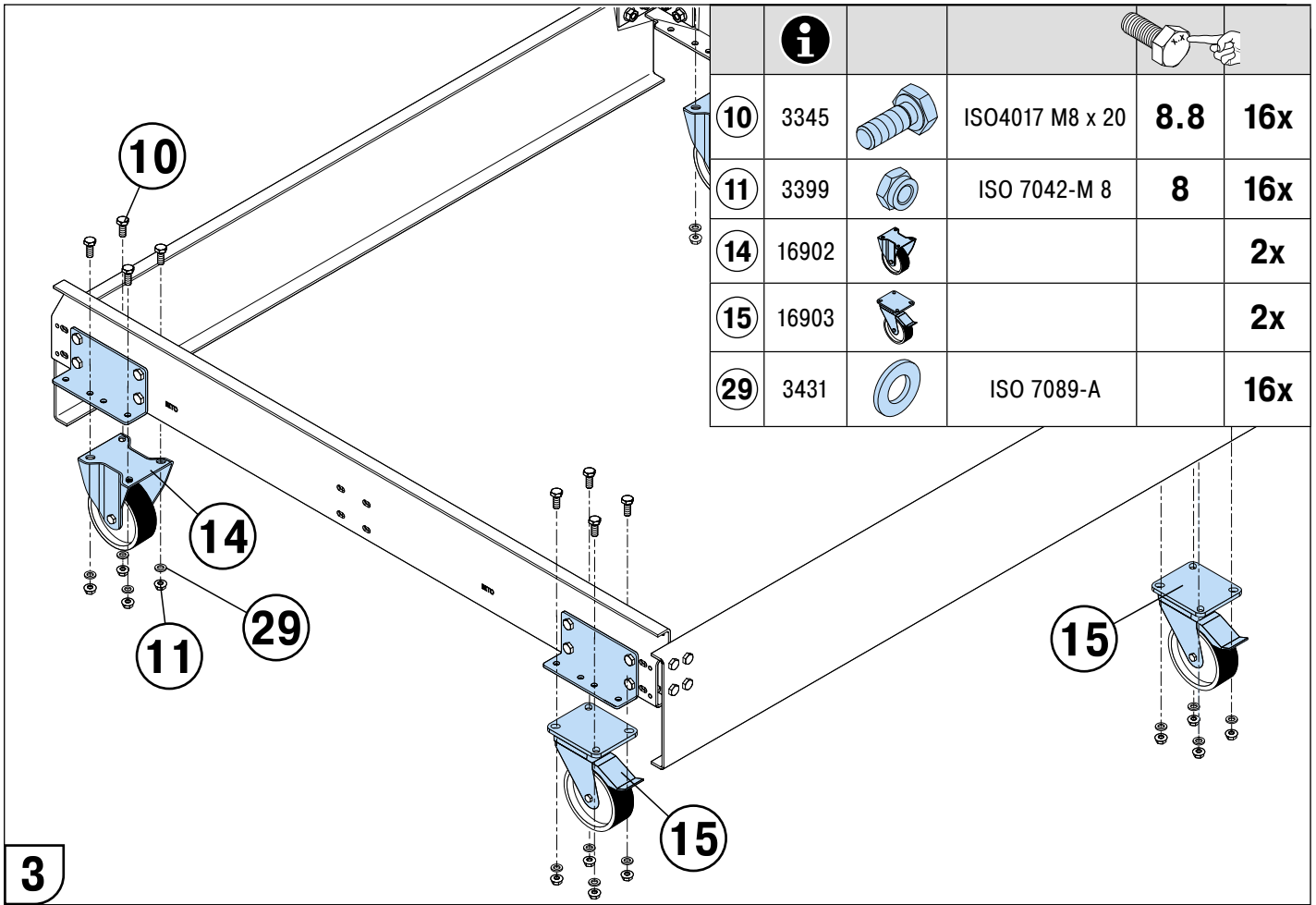


M6-8.8	8 Nm	 <p><b>i</b> Nm</p>
M8-8.8	22 Nm	
M10-8.8	45 Nm	
M10-10.9	70 Nm	
M12-8.8	70 Nm	
M12-10.9	110 Nm	

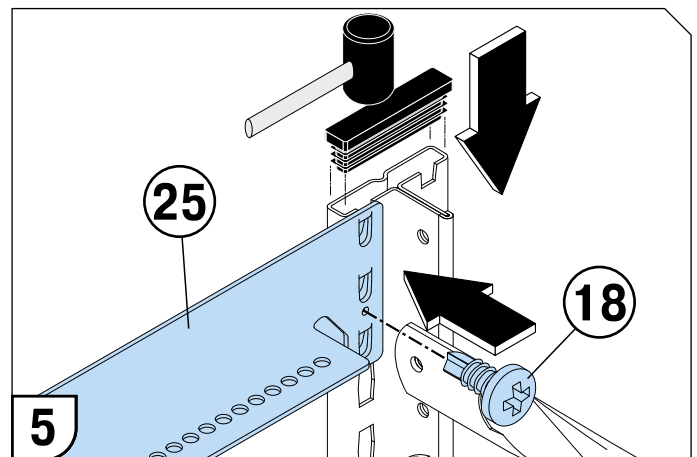
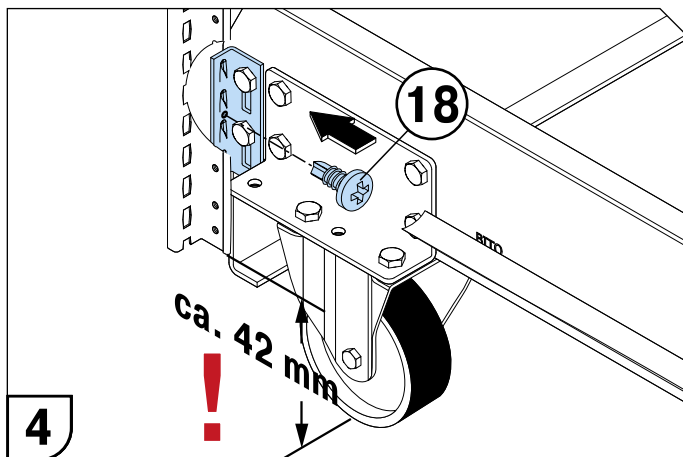
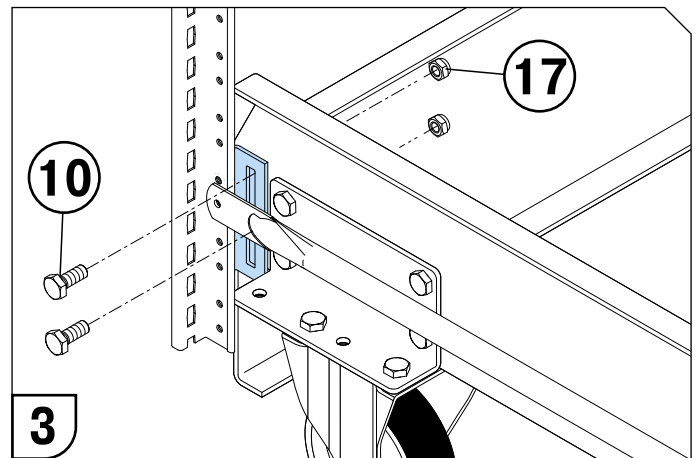
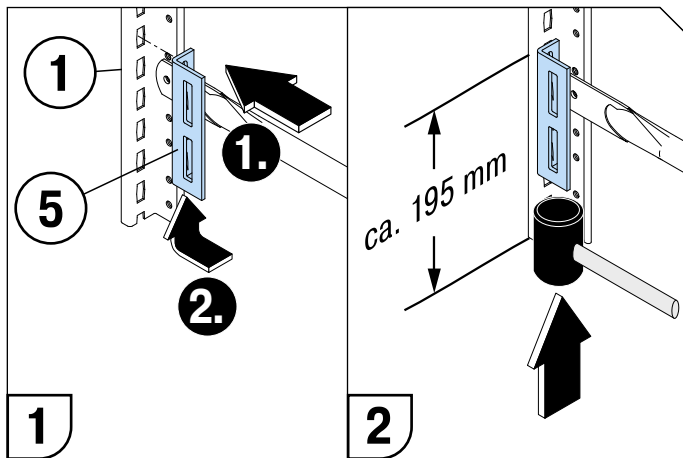




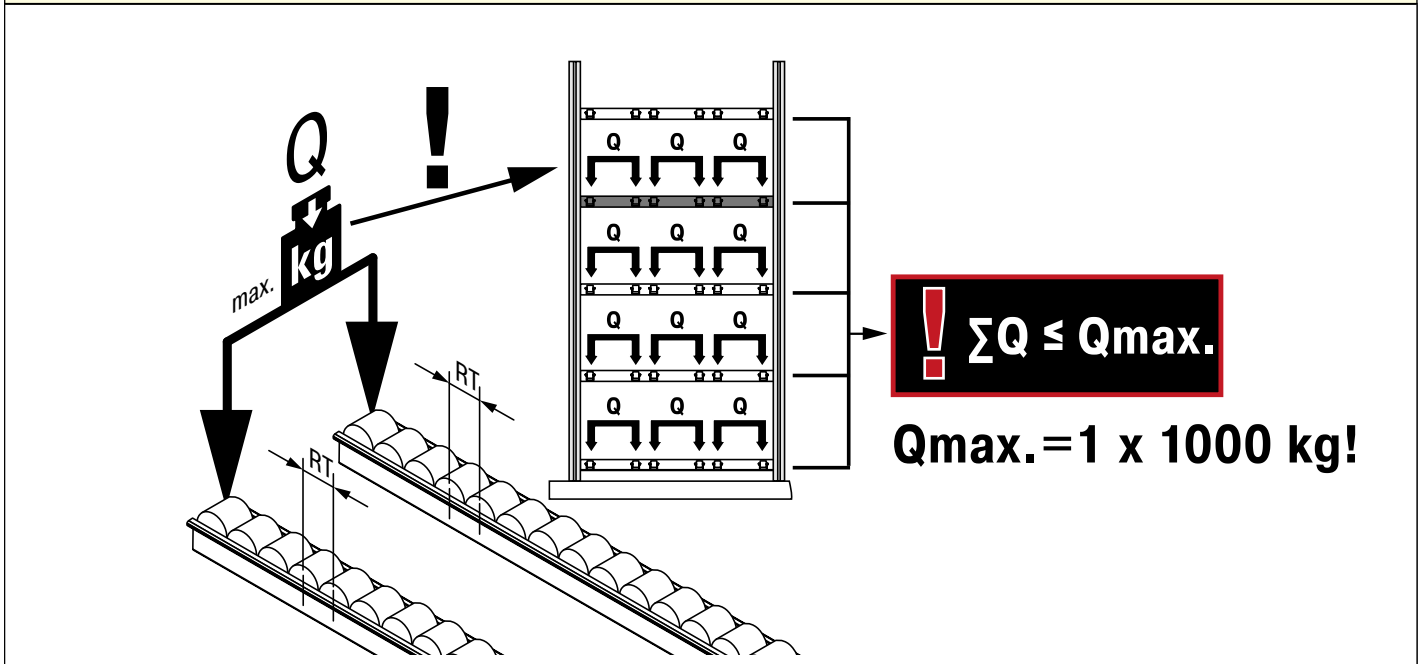
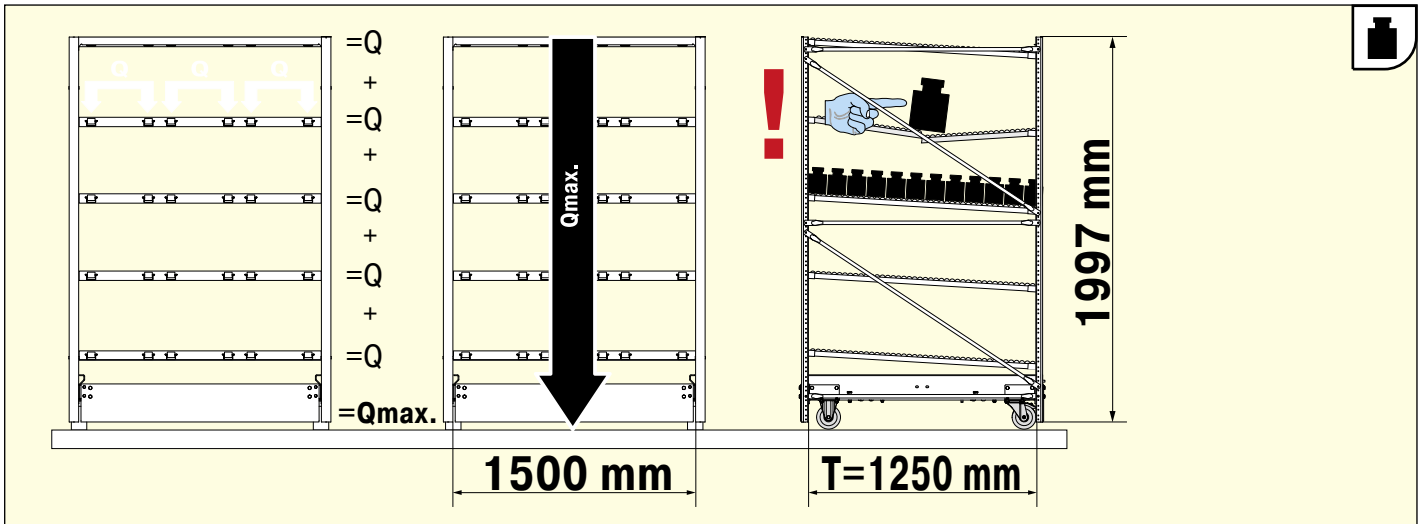
## SDS-T solution



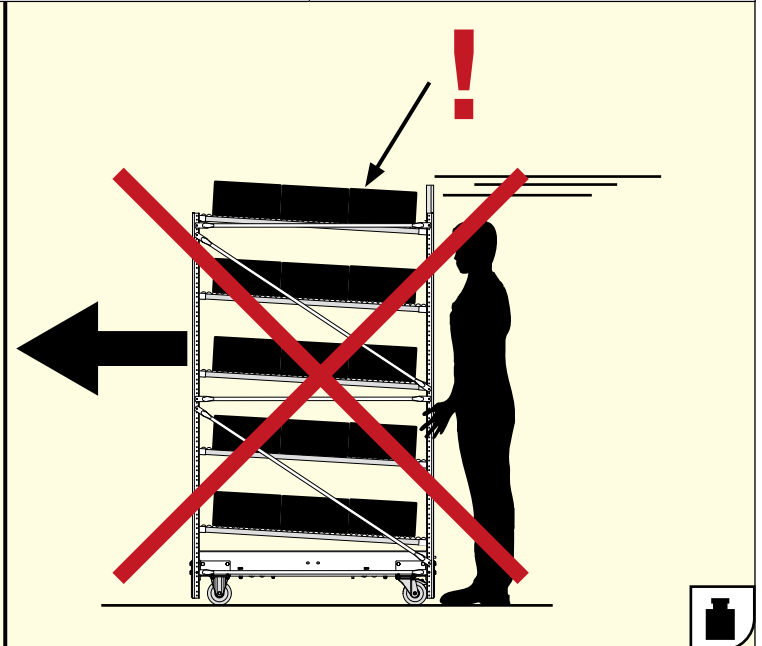
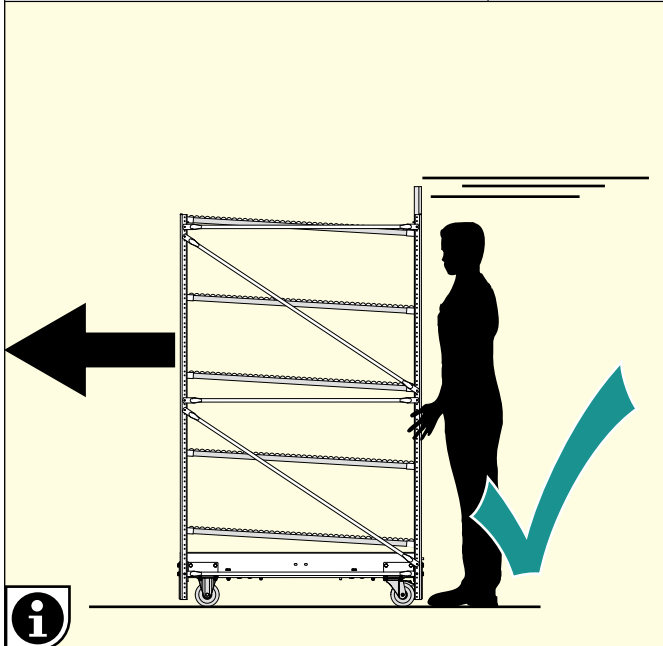
	<b>i</b>				
<b>1</b>	40197				<b>2x</b>
<b>4</b>	7207		Re		<b>4x</b>
<b>5</b>	7208		Li		<b>4x</b>
<b>10</b>	3345		ISO4017 M8 x 20	<b>8.8</b>	<b>16x</b>
<b>17</b>	14090		EN 1661-M10	<b>8</b>	<b>16x</b>
<b>18</b>	11855		ISO15481		<b>8x</b>
<b>25</b>	7711				<b>2x</b>



**SDS-T solution**



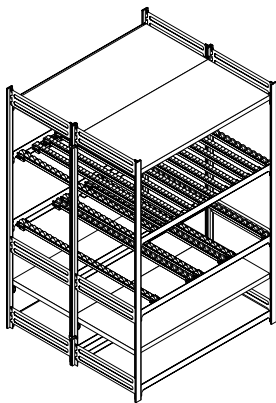
T=TA	max. kg	
	RT 28 mm	RT 42 mm
1.250 mm	50 Kg	50 Kg



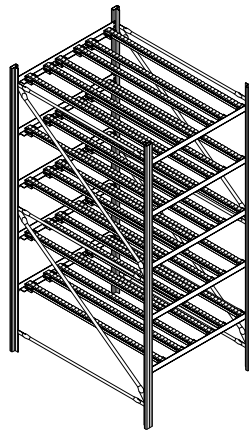
**Bereitstellregal  
SDS-T direct/solution  
Supply racking**

**verfahrbar/mobile**

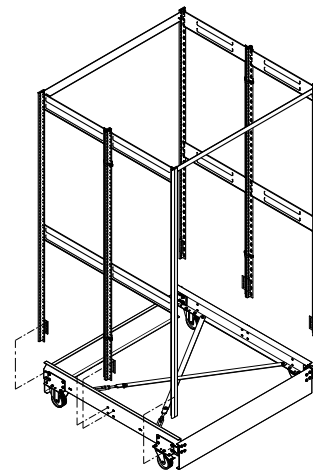
#11/2018/ Art.-Nr.: 42635



direct



solution



direct/solution

QR-Code



[www.bito.com](http://www.bito.com)

**Wir freuen uns auf Ihr Feedback!  
Looking forward to your feedback!**

**[feedbackmontage@bito.com](mailto:feedbackmontage@bito.com)**