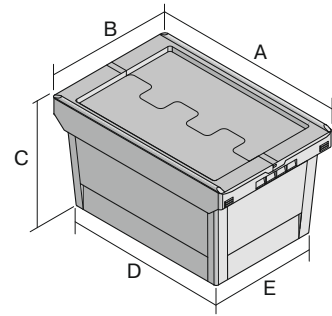


Multi-purpose containers MB, with hinged two-part lid

MBD64421 | Data sheet



Pos. Dimensions, tolerances as specified in DIN 16901

Pos.	Dimensions, tolerances as specified in DIN 16901	
A	Outside length top	610 mm
B	Outside width top	400 mm
C	Height	440 mm
D	Base length outside	505 mm
E	Base width outside	335 mm

Product features	*Load capacity as specified in EN 13117
Proper weight	4.46 kg
*Stacking load	200 kg
*Load capacity	35 kg
Volume	74 Litres
Warranty	5 year BITO QUALITY
ESD	ESD version upon request
Temperature range	-20°C to +90°C
Food safety	✓
Material	PP
Stock item	✓
Pcs/pallet	56
Pcs/pack	1
Colour	dove blue
Ref. no.	6-11122

Other colours / special colours on request

Dimensions, tolerances as specified in DIN 16901	
Outside length top	610 mm
Outside width top	400 mm
Height	440 mm
Inside length top	498 mm
Inside width top	329 mm
Inside length base	498 mm
Inside width base	329 mm
Height of stacking rim	100 mm

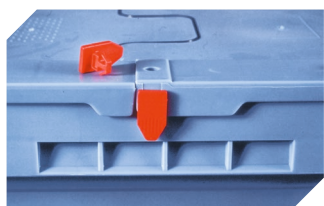
Printed message	
Pad printing area on short side (front)	240 x 100 mm
Pad printing area on short side (rear)	240 x 100 mm
Pad printing area on long side	250 x 100 mm
Screen printing area on short side	210 x 180 mm
Screen printing area on short side (rear)	210 x 180 mm
Screen printing area on long side	380 x 160 mm
Hot foil printing area on short side (front)	240 x 100 mm
Hot foil printing area on short side (rear)	240 x 100 mm
Hot foil printing area on long side	250 x 100 mm
Injection mold printing area on long side	235 x 70 mm

Information & Service
www.bitto.com

BITO
 STORAGE
 SYSTEMS

Multi-purpose containers MB, with hinged two-part lid

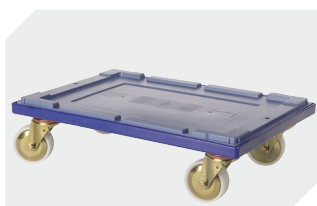
MBD64421 | Accessories



Security seals
MBP1 - suited for BITOBOX MB
6-10810



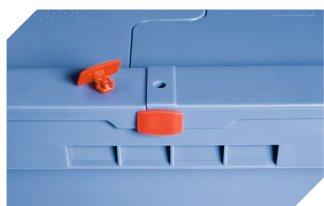
Rails for A4 hanging files
for multi-purpose containers MB
6-11920



Transport dolly
for multi-purpose containers sized
600 x 400 mm
L 620 x W 420 mm
6-15510



Connector clips
6-15625



Security seals
MBP2 - suited for BITOBOX MB
6-15705



Security seals
MBP2-N - suited for BITOBOX MB,
XL, SL
6-19162



Locking clips
suited for BITOBOX MB
6-20299



Document pockets
self-adhesive
2 sides open
L 145 x W 100 mm
46-21108



Barcoded security seals
MBP3 - suited for BITOBOX MB and XL
800 x 600 mm
6-31550



Document pockets
self-adhesive
3 sides open
L 175 x W 105 mm
6-5031