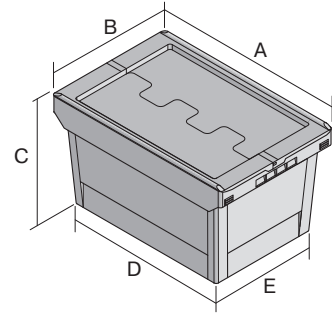


# Multi-purpose containers MB, with hinged two-part lid

## MBD32151 | Data sheet



Pos. Dimensions, tolerances as specified in DIN 16901

Pos.	Dimensions, tolerances as specified in DIN 16901	
A	Outside length top	310 mm
B	Outside width top	200 mm
C	Height	170 mm
D	Base length outside	218 mm
E	Base width outside	140 mm

Product features	*Load capacity as specified in EN 13117
Weight	1.11 kg
*Stacking load	100 kg
*Load capacity	15 kg
Volume	5 litres
Warranty	5 year BITO QUALITY
ESD	ESD version upon request
Temperature range	-20°C to +90°C
Food safety	✓
Material	PP
Stock item	✓
Pcs/pallet	240
Pcs/pack	1
colour	dove blue
Ref. no.	6-5017

Other colours / special colours on request

Dimensions, tolerances as specified in DIN 16901

Outside length top	310 mm
Outside width top	200 mm
Height	170 mm
Inside length top	249 mm
Inside width top	171 mm
Inside length base	212 mm
Inside width base	134 mm
Height of stacking rim	50 mm

Printed message

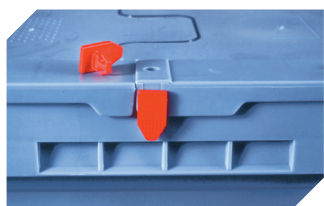
Pad printing area on short side (front)	70 x 30 mm
Pad printing area on short side (rear)	70 x 30 mm
Pad printing area on long side	150 x 30 mm
Hot foil printing area on long side	170 x 30 mm
Injection mold printing area on long side	80 x 20 mm

Information & Service  
[www.bitto.com](http://www.bitto.com)

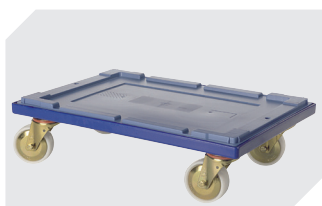
**BITO**  
STORAGE  
SYSTEMS

# Multi-purpose containers MB, with hinged two-part lid

## MBD32151 | Accessories



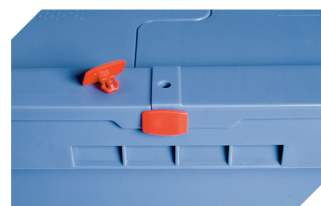
**Security seals**  
MBP1 - suited for BITOBOX MB  
**6-10810**



**Transport dolly**  
for multi-purpose containers sized  
600 x 400 mm  
L 620 x W 420 mm  
**6-15510**



**Connector clips**  
**6-15625**



**Security seals**  
MBP2 - suited for BITOBOX MB  
**6-15705**



**Security seals**  
MBP2-L - suited for BITOBOX MB,  
XL, SL  
**6-19162**



**Locking clips**  
suited for BITOBOX MB  
**6-20299**



**Document pockets**  
self-adhesive  
2 sides open  
L 145 x W 100 mm  
**46-21108**



**Barcoded security seals**  
MBP3 - suited for BITOBOX MBs in all  
sizes and XLs 800 x 600 mm  
**6-31550**



**Document pockets**  
self-adhesive  
3 sides open  
L 175 x W 105 mm  
**6-5031**