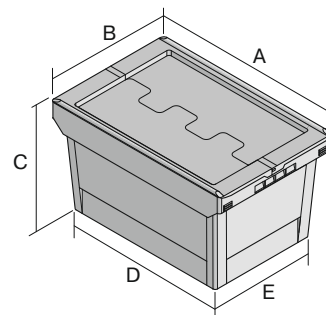


Multi-purpose containers MB - Mail custom solution, with hinged two-part lid

MBD32151POST | Data sheet



Pos. Dimensions, tolerances as specified in DIN 16901

Pos.	Dimensions, tolerances as specified in DIN 16901	
A	Outside length top	310 mm
B	Outside width top	200 mm
C	Height	170 mm
D	Base length outside	218 mm
E	Base width outside	140 mm

Product features	*Load capacity as specified in EN 13117
Proper weight	0.85 kg
*Load capacity	15 kg
Volume	5 Litres
ESD	No
Food safety	-
Material	PP
Stock item	-
Pcs/pack	1
Colour	RAL 1007 Daffodil yellow
Ref. no.	6-17269

Other colours / special colours on request

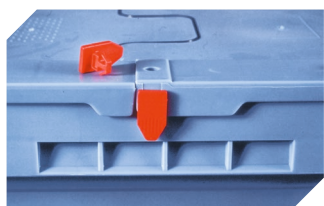
Dimensions, tolerances as specified in DIN 16901	
Outside length top	310 mm
Outside width top	200 mm
Height	170 mm

Information & Service
www.bitocom

BITO
 STORAGE
 SYSTEMS

Multi-purpose containers MB - Mail custom solution, with hinged two-part lid

MBD32151POST | Accessories



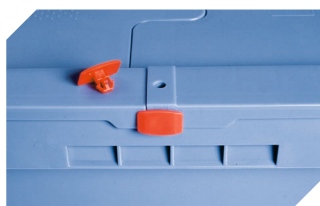
Security seals

MBP1 - suited for BITOBOX MB
6-10810



Transport dolly

for multi-purpose containers sized
600 x 400 mm
L 620 x W 420 mm
6-15510



Security seals

MBP2 - suited for BITOBOX MB
6-15705



Security seals

MBP2-N - suited for BITOBOX MB,
XL, SL
6-19162



Locking clips

suited for BITOBOX MB
6-20299



Barcoded security seals

MBP3 - suited for BITOBOX MB and XL
800 x 600 mm
6-31550