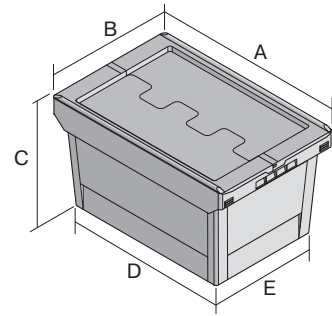


Multi-purpose containers MB, with hinged two-part lid

MBD43221 | Data sheet



Pos. Dimensions, tolerances as specified in DIN 16901

Pos.	Dimensions, tolerances as specified in DIN 16901	
A	Outside length top	410 mm
B	Outside width top	300 mm
C	Height	240 mm
D	Base length outside	318 mm
E	Base width outside	240 mm

Product features	*Load capacity as specified in EN 13117
Weight	1.47 kg
*Stacking load	150 kg
*Load capacity	20 kg
Volume	18 litres
Warranty	5 year BITO QUALITY
ESD	ESD version upon request
Temperature range	-20°C to +80°C
Food safety	✓
Material	PP
Stock item	✓
Pcs/pallet	156
Pcs/pack	1
colour	dove blue
Ref. no.	6-11123

Other colours / special colours on request

Dimensions, tolerances as specified in DIN 16901	
Outside length top	410 mm
Outside width top	300 mm
Height	240 mm
Inside length top	349 mm
Inside width top	271 mm
Inside length base	313 mm
Inside width base	235 mm
Height of stacking rim	50 mm

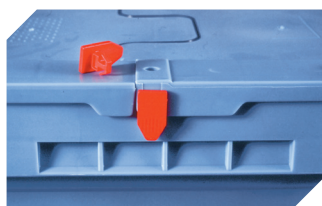
Printed message	
Pad printing area on short side (front)	150 x 100 mm
Pad printing area on short side (rear)	150 x 100 mm
Pad printing area on long side	240 x 100 mm
Screen printing area on short side	120 x 50 mm
Screen printing area on short side (rear)	120 x 50 mm
Screen printing area on long side	200 x 80 mm
Hot foil printing area on short side (front)	150 x 100 mm
Hot foil printing area on short side (rear)	150 x 100 mm
Hot foil printing area on long side	240 x 100 mm
Injection mold printing area on long side	110 x 25 mm

Information & Service
www.bitto.com

BITO
 STORAGE
 SYSTEMS

Multi-purpose containers MB, with hinged two-part lid

MBD43221 | Accessories



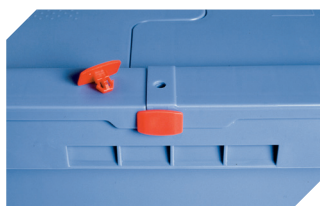
Security seals

MBP1 - suited for BITOBOX MB
6-10810



Connector clips

6-15625



Security seals

MBP2 - suited for BITOBOX MB
6-15705



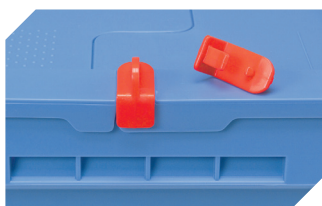
Security seals

MBP2-L - suited for BITOBOX MB,
XL, SL
6-19162



Transport dollies

for multi-purpose containers sized
800 x 400 mm and 800 x 600 mm
L 720 x W 540 mm
6-19439



Locking clips

suited for BITOBOX MB
6-20299



Document pockets

self-adhesive
2 sides open
L 145 x W 100 mm
46-21108



Barcoded security seals

MBP3 - suited for BITOBOX MBs in all
sizes and XLs 800 x 600 mm
6-31550



Document pockets

self-adhesive
3 sides open
L 175 x W 105 mm
6-5031