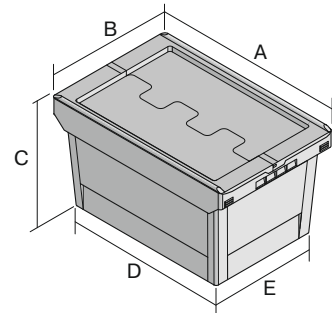


Multi-purpose containers MB, for hazardous substances, drop-on lid with metal snap locks

MBSG43221CLIP | Data sheet



Pos. Dimensions, tolerances as specified in DIN 16901

Pos.	Dimensions, tolerances as specified in DIN 16901	
A	Outside length top	410 mm
B	Outside width top	310 mm
C	Height	238 mm
D	Base length outside	318 mm
E	Base width outside	240 mm

Product features	*Load capacity as specified in EN 13117
Proper weight	1.61 kg
*Load capacity	13 kg
Volume	18 Litres
ESD	No
Food safety	-
Material	PP
Stock item	✓
Pcs/pack	1
Colour	purple red
Ref. no.	6-18653

Other colours / special colours on request

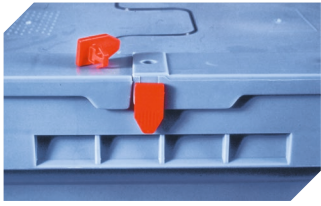
Dimensions, tolerances as specified in DIN 16901	
Outside length top	410 mm
Outside width top	310 mm
Height	238 mm

Information & Service
www.bitto.com

BITO
STORAGE
SYSTEMS

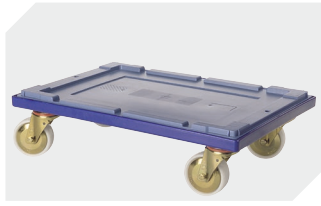
Multi-purpose containers MB, for hazardous substances, drop-on lid with metal snap locks

MBSG43221CLIP | Accessories



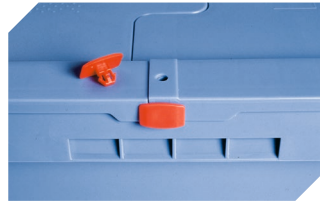
Security seals

MBP1 - suited for BITOBOX MB
6-10810



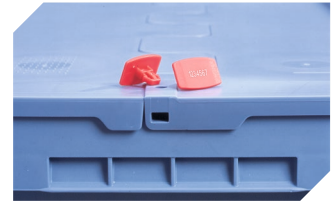
Transport dolly

for multi-purpose containers sized
600 x 400 mm
L 620 x W 420 mm
6-15510



Security seals

MBP2 - suited for BITOBOX MB
6-15705



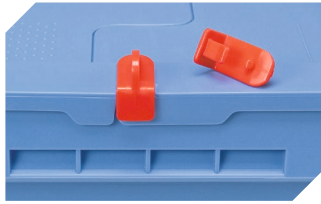
Security seals

MBP2-N - suited for BITOBOX MB,
XL, SL
6-19162



Transport dolly

for multi-purpose containers sized
800 x 400 mm and 800 x 600 mm
L 720 x W 540 mm
6-19439



Locking clips

suited for BITOBOX MB
6-20299