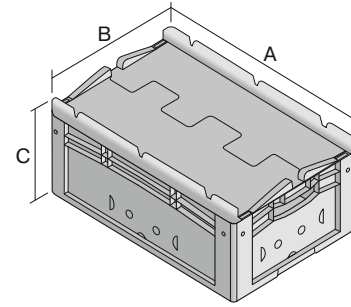


# European size stacking containers XL with double base, with hinged two-part lid XLD64321D | Data sheet



Pos. Dimensions, Tolerances as specified in DIN 16901

|   |                    |        |
|---|--------------------|--------|
| A | Outside length top | 600 mm |
| B | Outside width top  | 400 mm |
| C | Height             | 338 mm |

| Features          | *Load capacity as specified in EN 13117 |
|-------------------|---|
| Proper weight     | 3.97 kg                                 |
| *Stacking load    | 300 kg                                  |
| *Load capacity    | 100 kg                                  |
| Volume            | 60 Litres                               |
| Warranty          | 5 year BITO QUALITY                     |
| ESD               | ESD version upon request                |
| Temperature range | -20°C to +60°C                          |
| Food safety       | -                                       |
| Material          | PP                                      |
| Stock item        | -                                       |
| Pcs/pack          | 1                                       |
| Colour            | blue                                    |
| Ref. no.          | 43-14308                                |

Other colours / special colours on request

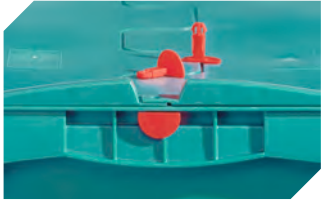
| Dimensions, Tolerances as specified in DIN 16901 |        |
|--|--------|
| Outside length top                               | 600 mm |
| Outside width top                                | 400 mm |
| Height   | 338 mm |
| Inside length top                                | 568 mm |
| Inside width top                                 | 368 mm |
| Inside length base                               | 559 mm |
| Inside width base                                | 359 mm |
| Inside height                                    | 302 mm |

| Printed message                              |              |
|--|--------------|
| Pad printing area on short side (front)      | 100 x 250 mm |
| Pad printing area on short side (rear)       | 100 x 250 mm |
| Pad printing area on long side               | 100 x 250 mm |
| Hot foil printing area on short side (front) | 100 x 250 mm |
| Hot foil printing area on short side (rear)  | 100 x 250 mm |
| Hot foil printing area on long side          | 100 x 250 mm |
| Injection mold printing area on long side    | 100 x 250 mm |

Information & Service  
[www.bitto.com](http://www.bitto.com)



# European size stacking containers XL with double base, with hinged two-part lid **XLD64321D** | Accessories



## **Security seals**

for European size stacking containers XL  
and small parts containers KLT  
**9-16271**



## **Covers for palletised containers**

L 1220 x W 820 mm  
**9-18421**



## **Transport dolly**

rubber wheels  
L 620 x W 420 mm  
**43-21883**



## **Grip closures**

suited for bins with a height of 320  
and 420 mm  
**43-31448**