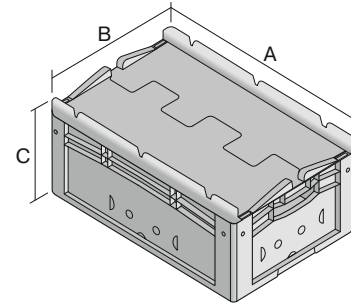


European size stacking containers XL with ribbed base RX, with hinged two-part lid XLD64121RX | Data sheet



Pos. Dimensions, Tolerances as specified in DIN 16901

A	Outside length top	600 mm
B	Outside width top	400 mm
C	Height	138 mm

Features	*Load capacity as specified in EN 13117
Proper weight	2.62 kg
*Stacking load	300 kg
*Load capacity	50 kg
Volume	18 Litres
Warranty	5 year BITO QUALITY
ESD	ESD version upon request
Temperature range	-20°C to +90°C
Food safety	✓
Material	PP
Stock item	-
Pcs/pack	1
Colour	blue
Ref. no.	43-30267

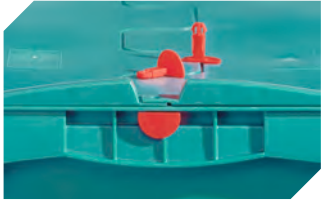
Other colours / special colours on request

Dimensions, Tolerances as specified in DIN 16901	
Outside length top	600 mm
Outside width top	400 mm
Height	138 mm
Inside length top	568 mm
Inside width top	368 mm
Inside length base	559 mm
Inside width base	359 mm
Inside height	102 mm
Printed message	
Injection mold printing area on long side	25 x 130 mm

Information & Service
www.bitto.com

BITO
STORAGE
SYSTEMS

European size stacking containers XL with ribbed base RX, with hinged two-part lid **XLD64121RX** | Accessories



Security seals
for European size stacking containers XL
and small parts containers KLT
9-16271



Covers for palletised containers
L 1220 x W 820 mm
9-18421



Drop-on lids
for European size stacking containers XL
L 600 x W 400 mm
43-20301



Drop-on lids
for European size stacking containers XL
L 600 x W 400 mm
43-20494



Transport dolly
rubber wheels
L 620 x W 420 mm
43-21883

Information & Service
www.bitto.com

BITO
S T O R A G E
S Y S T E M S