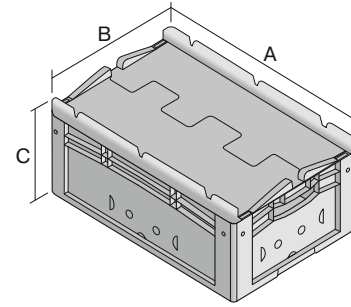
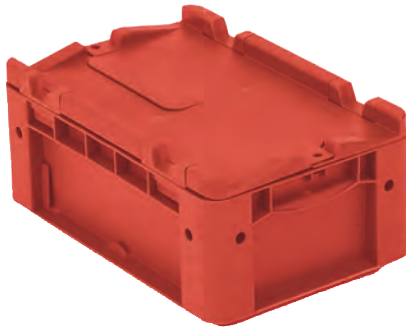


# European size stacking containers XL, with hinged two-part lid

## XLD32121 | Data sheet



Pos. Dimensions, Tolerances as specified in DIN 16901

Pos.	Dimensions, Tolerances as specified in DIN 16901	
A	Outside length top	300 mm
B	Outside width top	200 mm
C	Height	138 mm

Features	*Load capacity as specified in EN 13117
Proper weight	0.74 kg
*Load capacity	15 kg
Volume	3.7 Litres
Warranty	5 year BITO QUALITY
ESD	ESD version upon request
Temperature range	-20°C to +90°C
Food safety	✓
Material	PP
Stock item	✓
Pcs/pack	1
Colour	red
Ref. no.	43-30431

Other colours / special colours on request

Dimensions, Tolerances as specified in DIN 16901	
Outside length top	300 mm
Outside width top	200 mm
Height	138 mm
Inside length top	268 mm
Inside width top	168 mm
Inside length base	256 mm
Inside width base	156 mm
Inside height	117 mm

#### Printed message

Pad printing area on short side (front)	40 x 90 mm
Pad printing area on short side (rear)	40 x 90 mm
Hot foil printing area on short side (front)	40 x 90 mm
Hot foil printing area on short side (rear)	40 x 90 mm
Injection mold printing area on long side	25 x 135 mm

Information & Service  
[www.bitto.com](http://www.bitto.com)

**BITO**  
 STORAGE  
 SYSTEMS

European size stacking containers XL, with hinged two-part lid

## XLD32121 | Accessories



### Security seals

for European size stacking containers XL  
and small parts containers KLT

**9-16271**



### Covers for palletised containers

L 1220 x W 820 mm

**9-18421**

Information & Service  
[www.bito.com](http://www.bito.com)

**BITO**  
S T O R A G E  
S Y S T E M S