














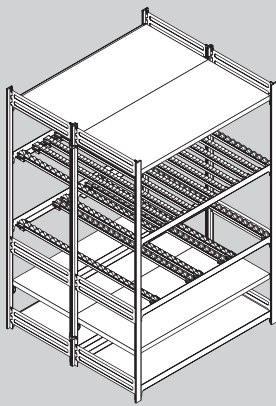


www.bitto.com

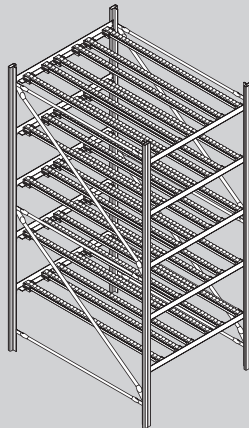


shop.bitto.com

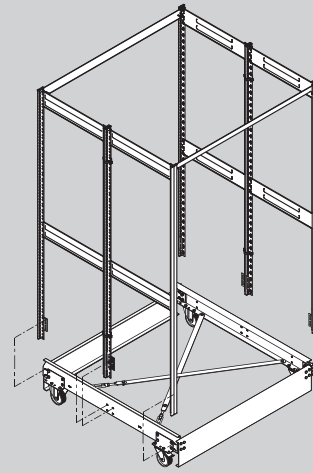
Aufbau- und Bedienanleitung 
Instructions for assembly and use 
Instructions de montage et d'utilisation 
Richtlijnen en montagehandleiding 
Instrucciones de montaje y manejo 
Istruzioni per il montaggio e l'impiego 
Montage- op betjeningsvejledning 
összeállítási és kezelési útmutató 
Instrukcja montażu i użytkowania 
Návod k montáži a obsluze 
Návod na montáž a použitie 
Інструкція по монтажу та експлуатації 
Инструкция по сборке и использованию 



direct



solution



direct/solution



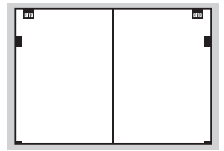
BEREITSTELLREGAL SDS-T DIRECT/SOLUTION

SUPPLY RACKING

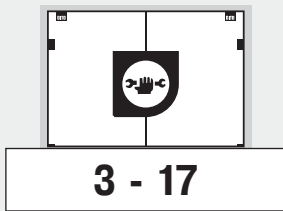
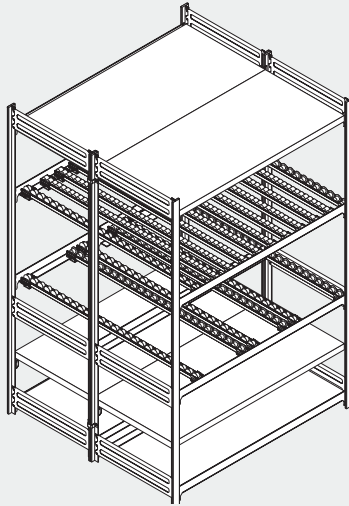
#08/2024/ ART.-NR.: 42635



BITO
LAGERTECHNIK

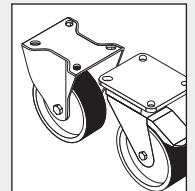
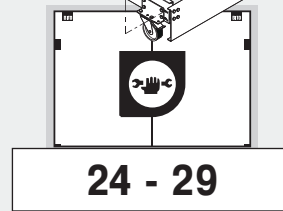
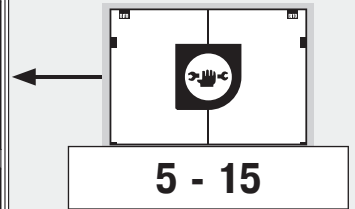
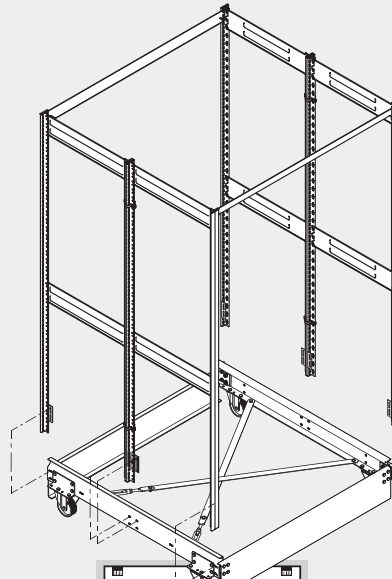


SDS-T direct

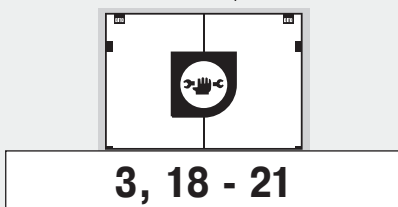
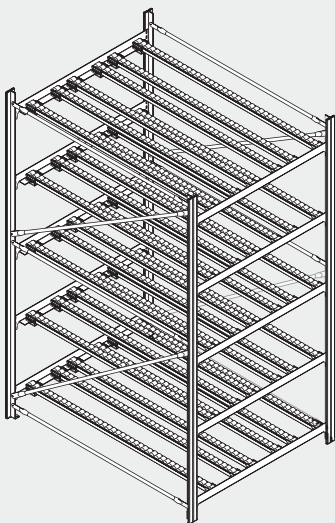


+

verfahrbar/mobile

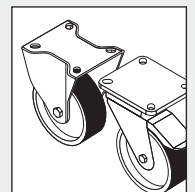
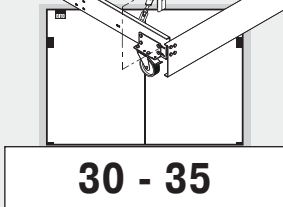
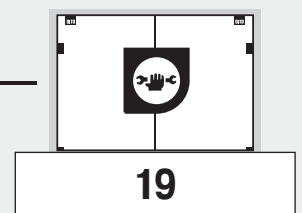
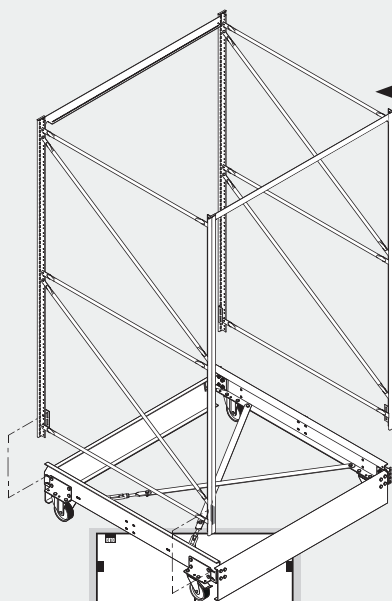


SDS-T solution

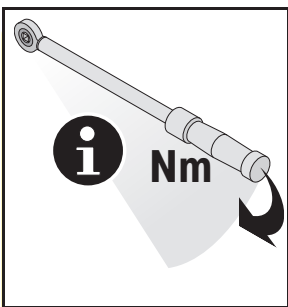
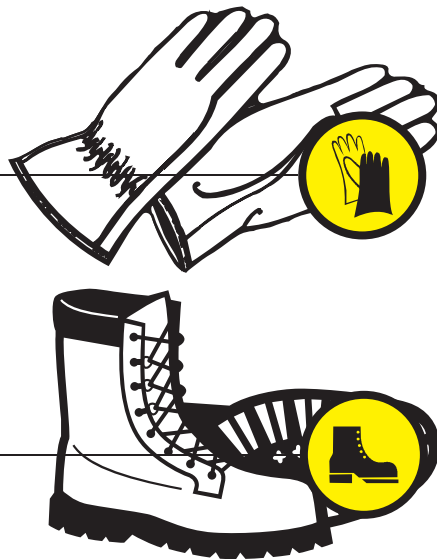
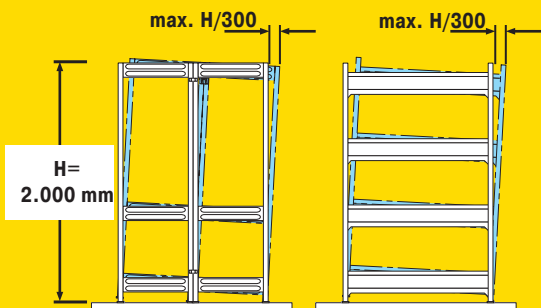
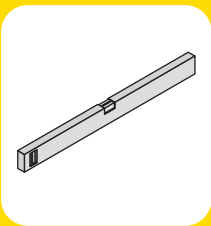
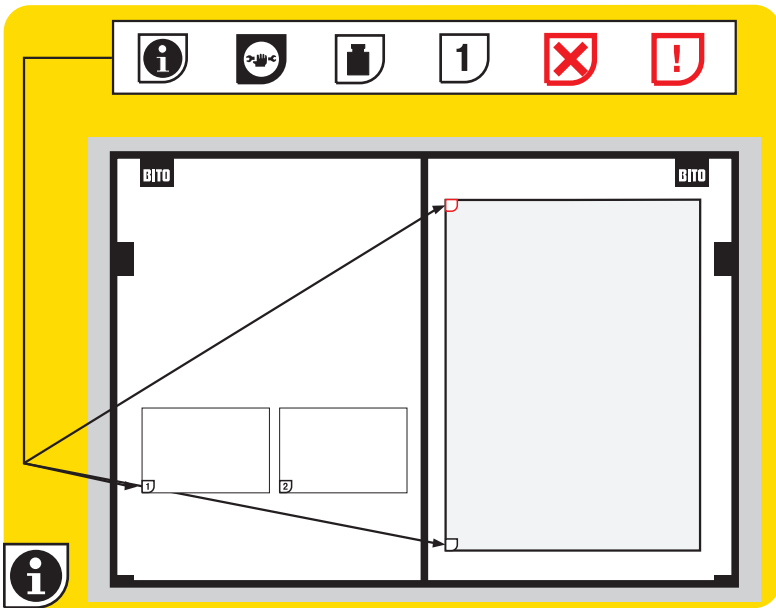


+

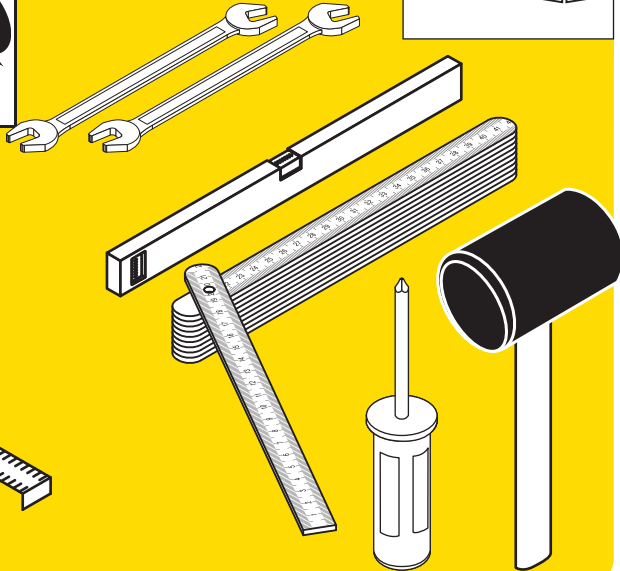
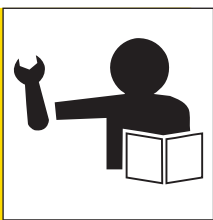
verfahrbar/mobile



DGUV
208-061



8,13,17



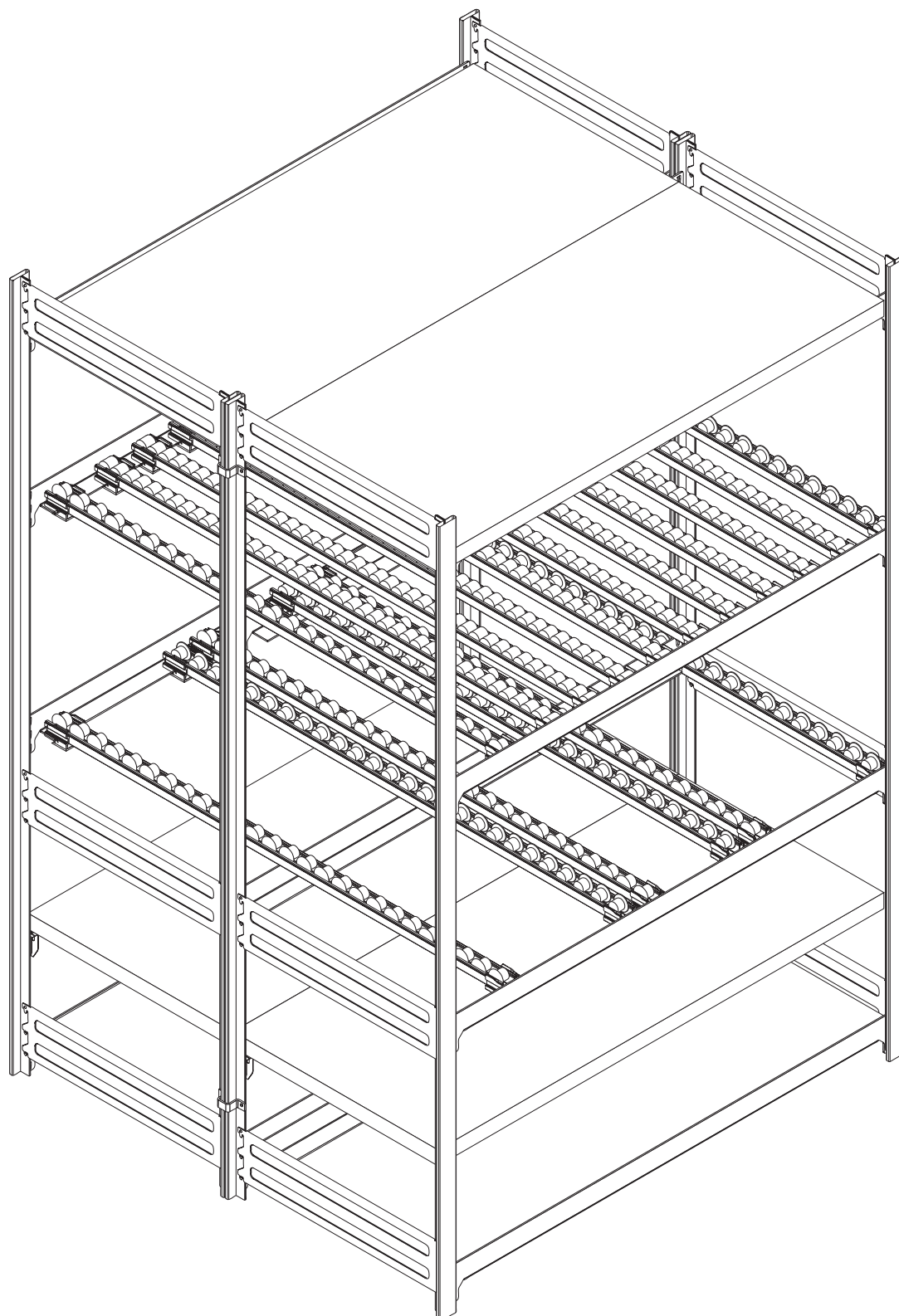
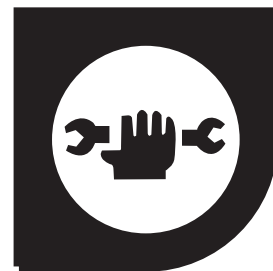
QR-Code



QR-Code

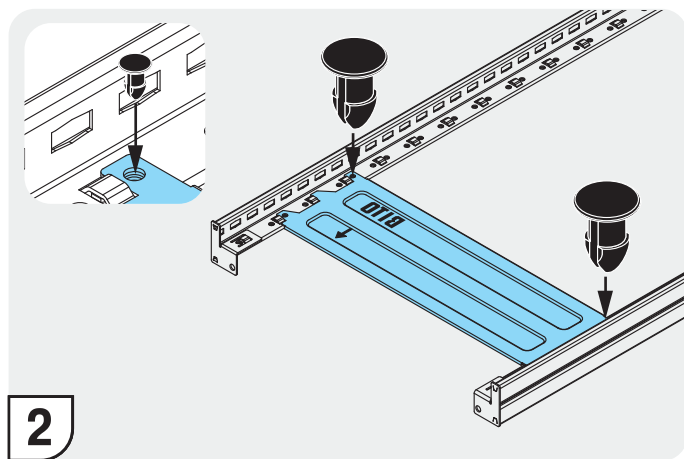
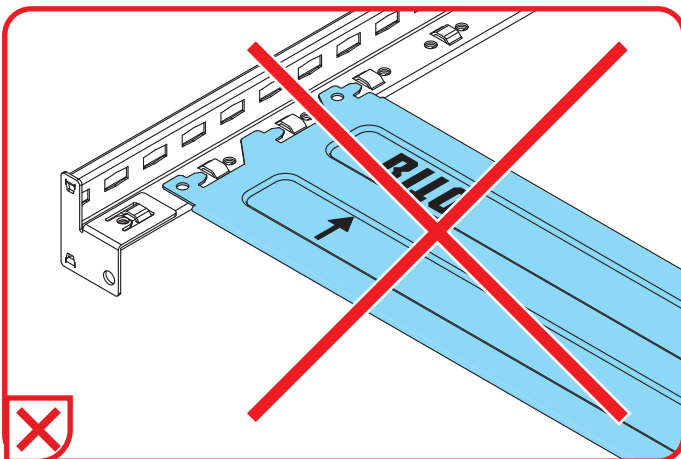
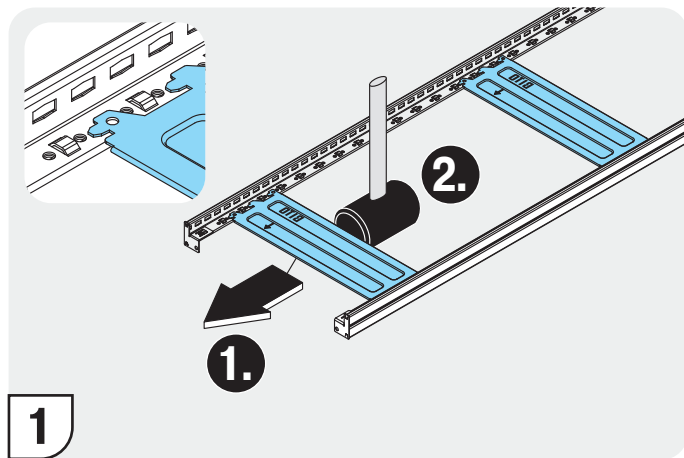
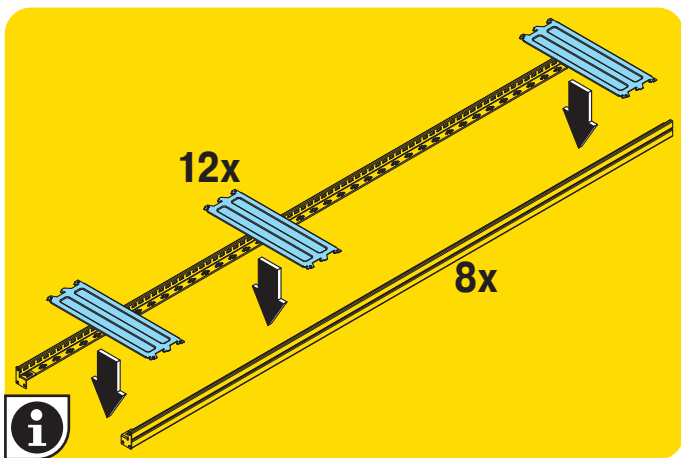
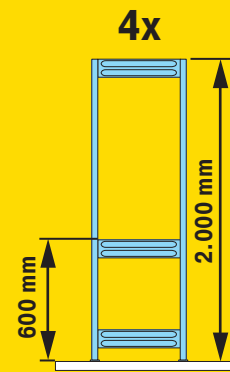
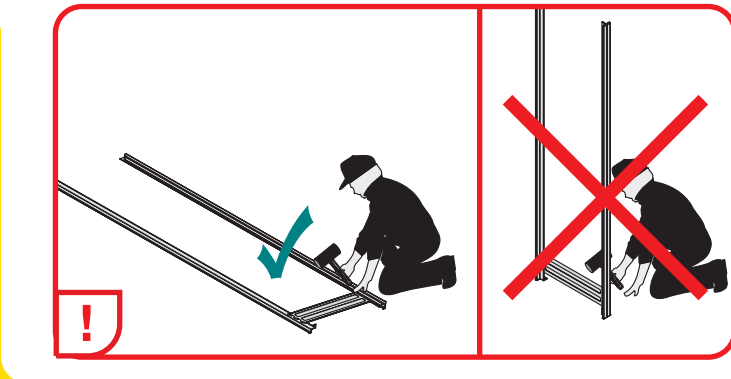
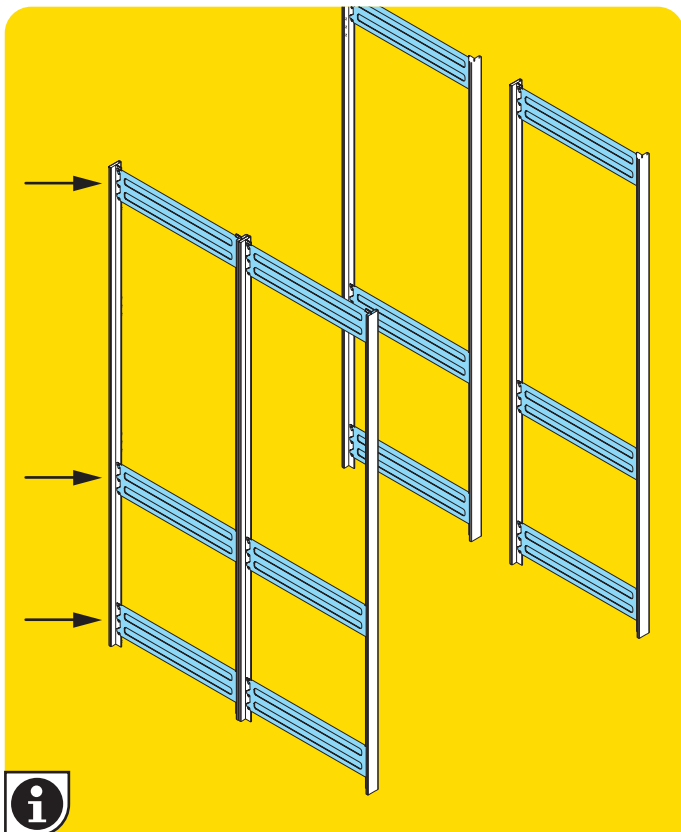


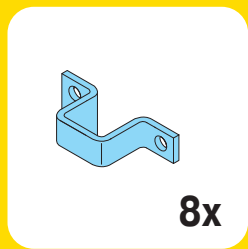
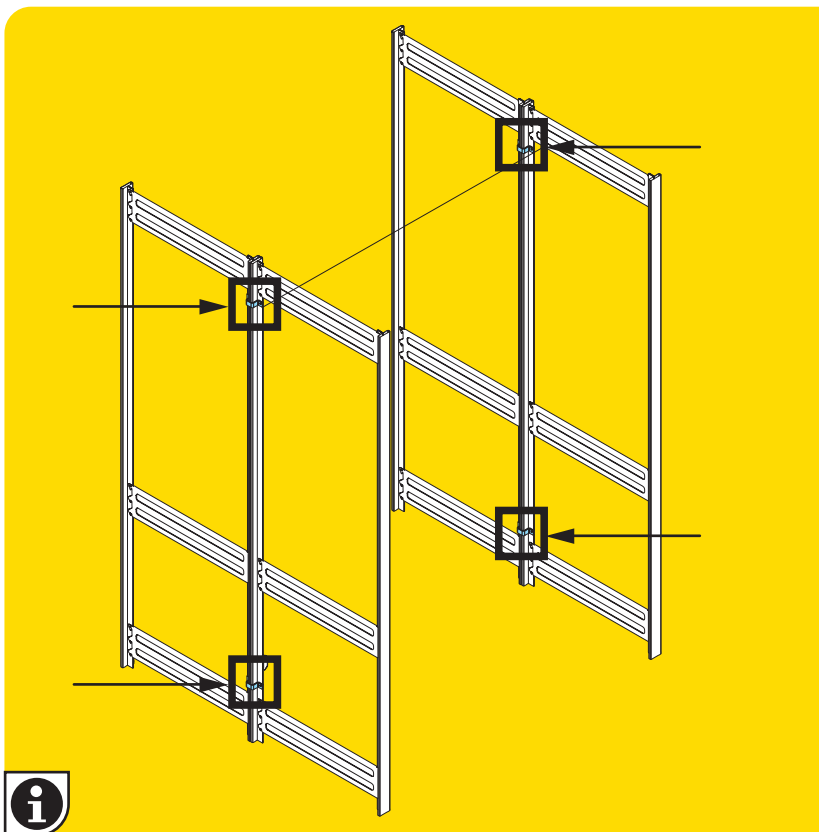
SDS-T direct

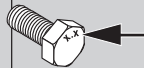

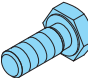




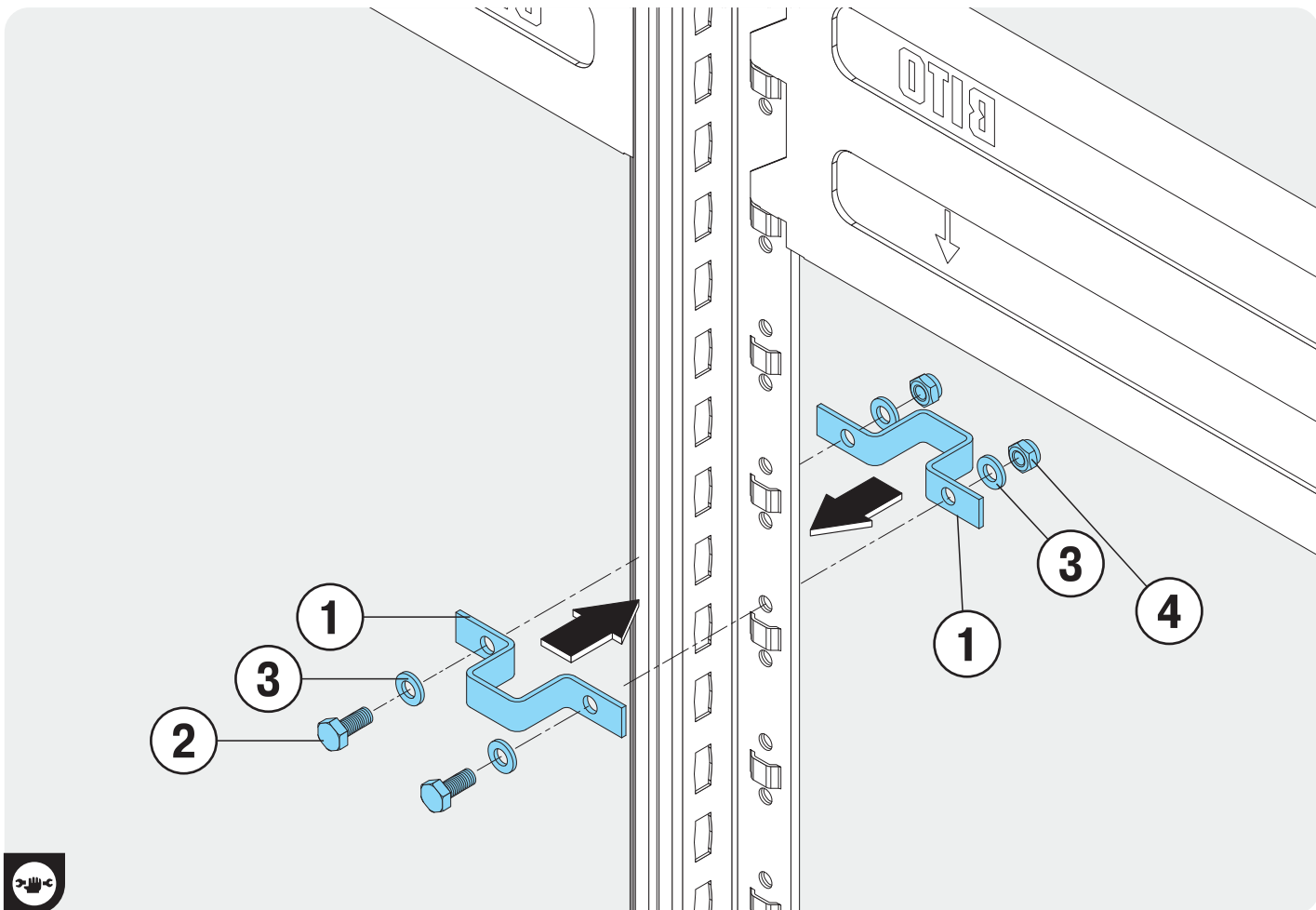
BEREITSTELLREGAL | SUPPLY RACKING

SDS-T direct

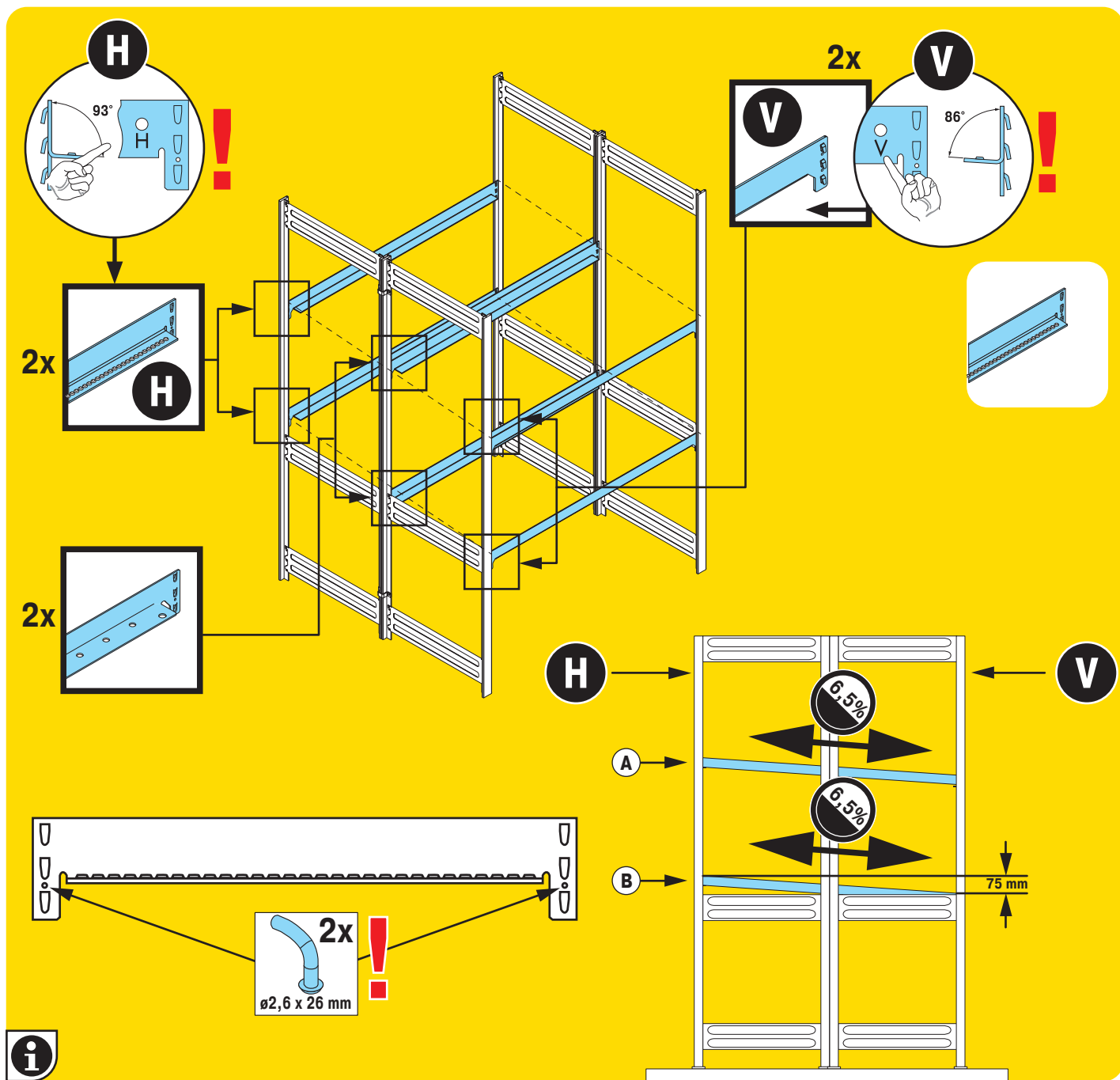




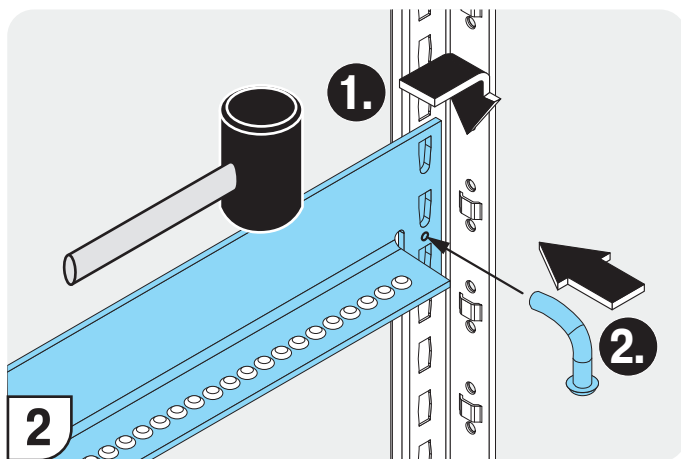
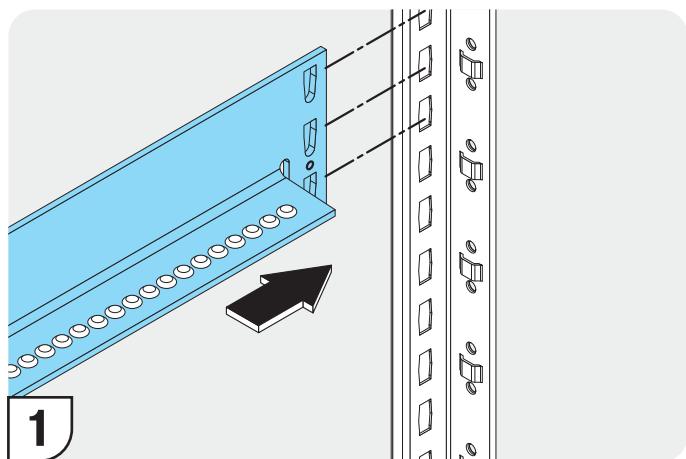
				
1				8x
2		M5x16 mm DIN EN ISO 4017	8.8	8x
3		Ø5,3 DIN EN ISO 7089		16x
4		M5 DIN EN ISO 7042	8	8x



SDS-T direct



BEREITSTELLREGAL | SUPPLY RACKING



The main diagram shows a 3D perspective of the supply racking structure. It consists of vertical uprights and horizontal beams. Callouts indicate the placement of components:

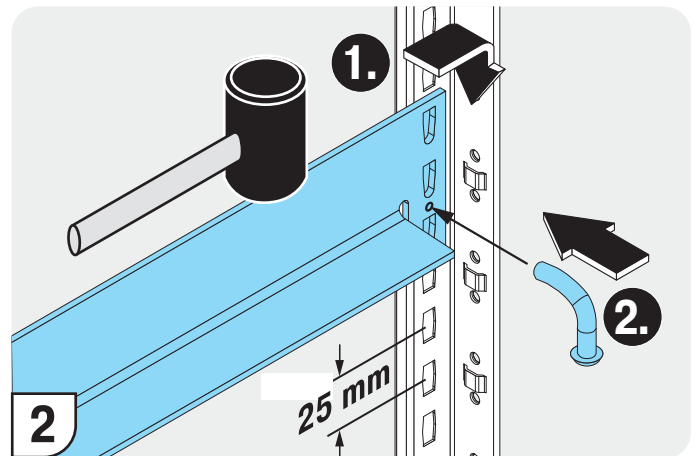
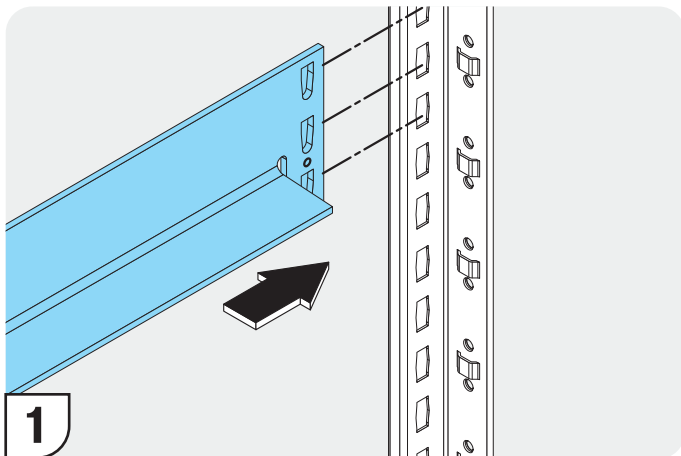
- 2x** of component 2 (a long blue L-shaped bracket) is shown being attached to the top of the uprights.
- 2x** of component 3 (a shorter blue L-shaped bracket) is shown being attached to the bottom of the uprights.
- 2x** of component 2 (a long blue L-shaped bracket) is shown being attached to the side of the uprights.

Component List:

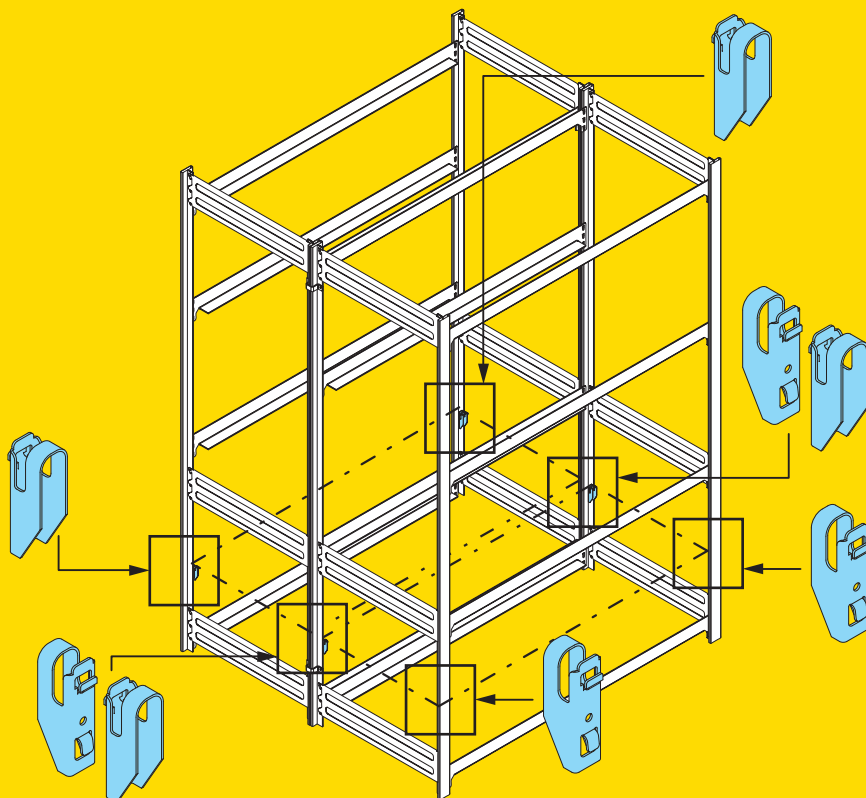
①	 ø2,6 x 26 mm	28x
②		4x
③		4x

Warning: A diagram shows a pin being inserted into a hole in a beam. A red exclamation mark and the text "2x ø2,6 x 26 mm" indicate that two pins must be used per hole.

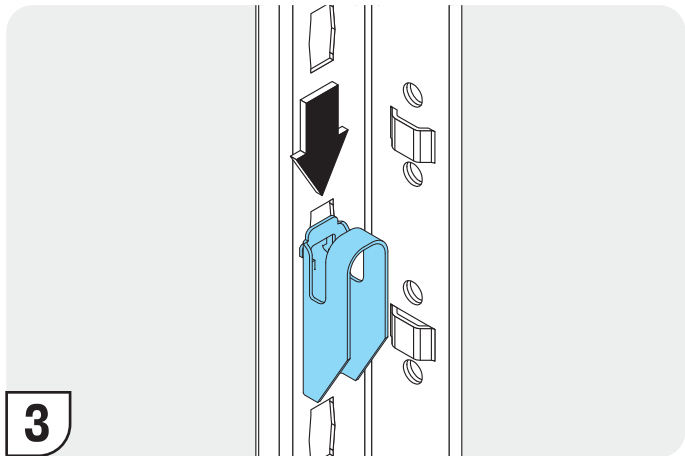
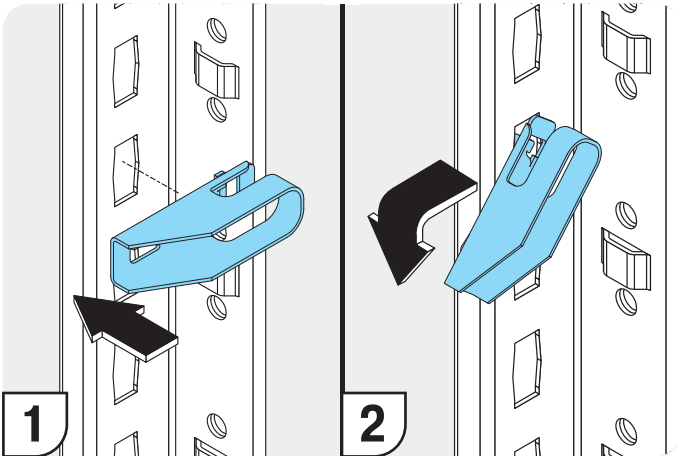
Information: An information icon (i) is located at the bottom left of the main diagram area.



SDS-T direct

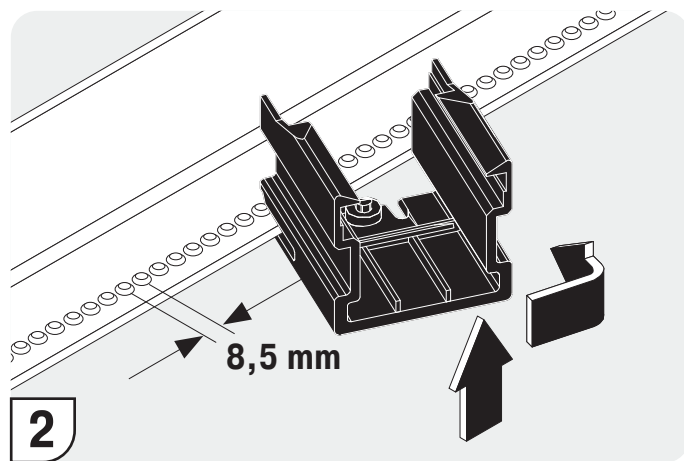
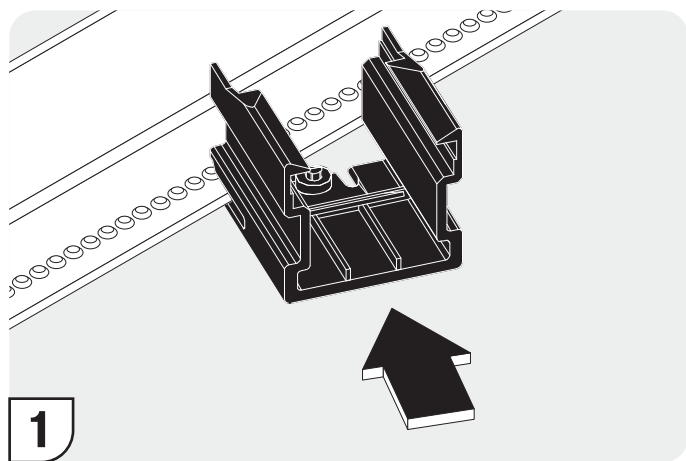
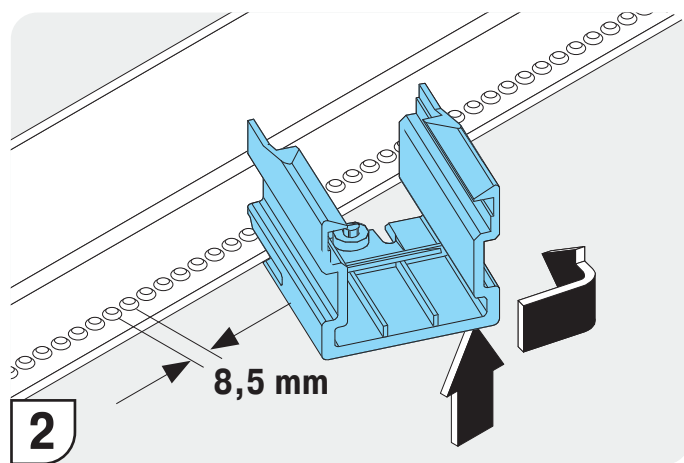
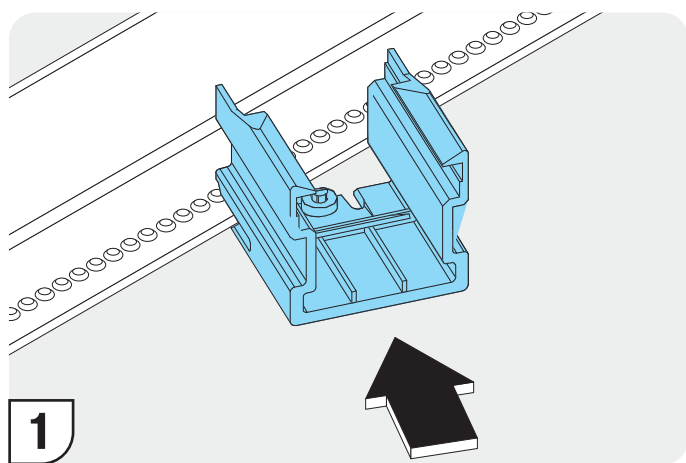


		8x
--	--	----

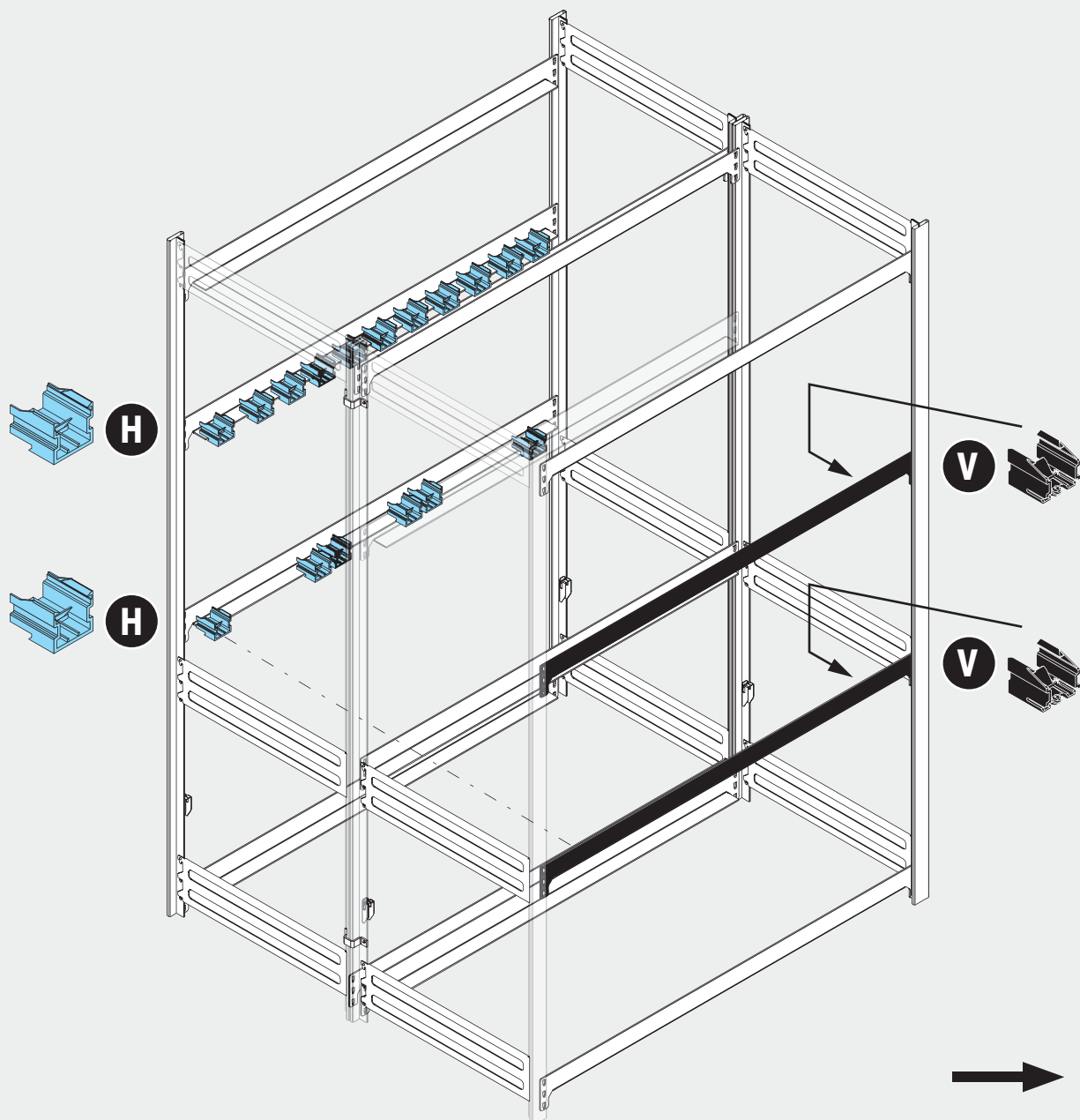
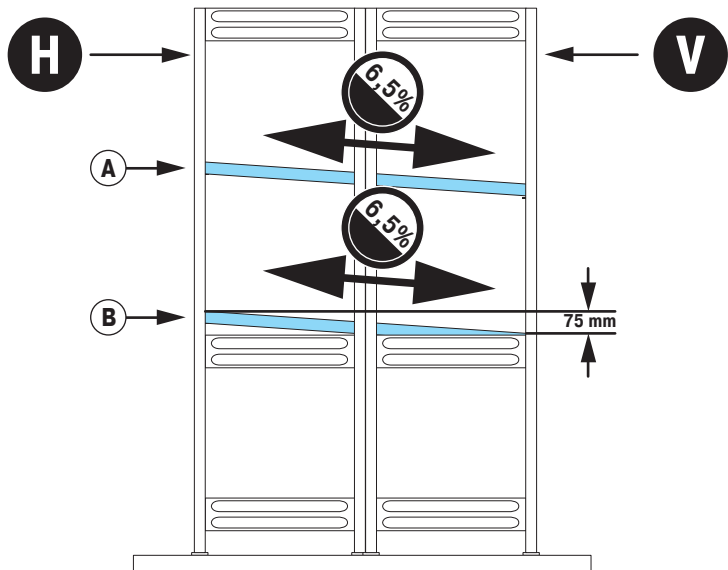


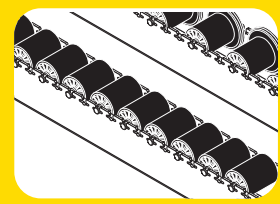
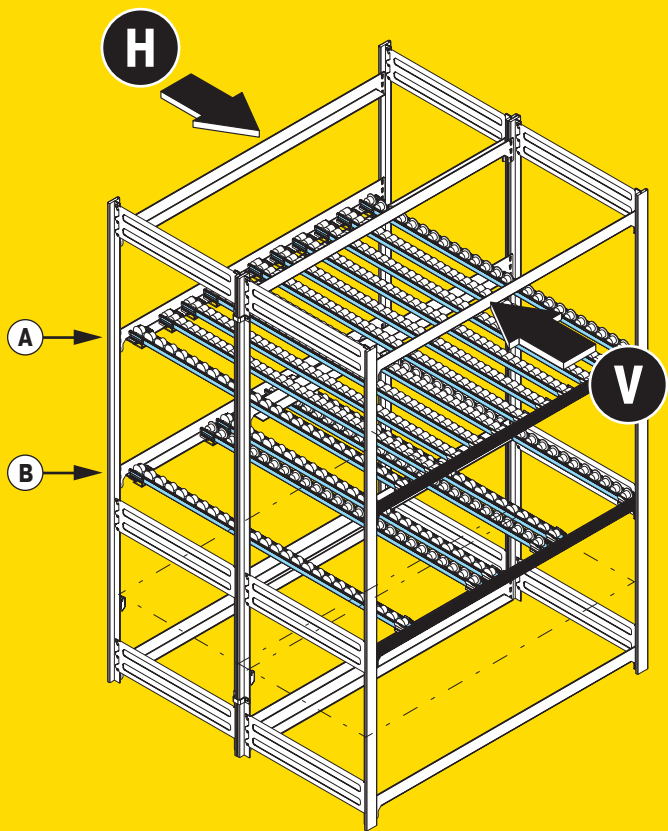
H 11x
H 6x
V 11x
V 6x

1	H 47 mm	17x
2	V 38 mm	17x

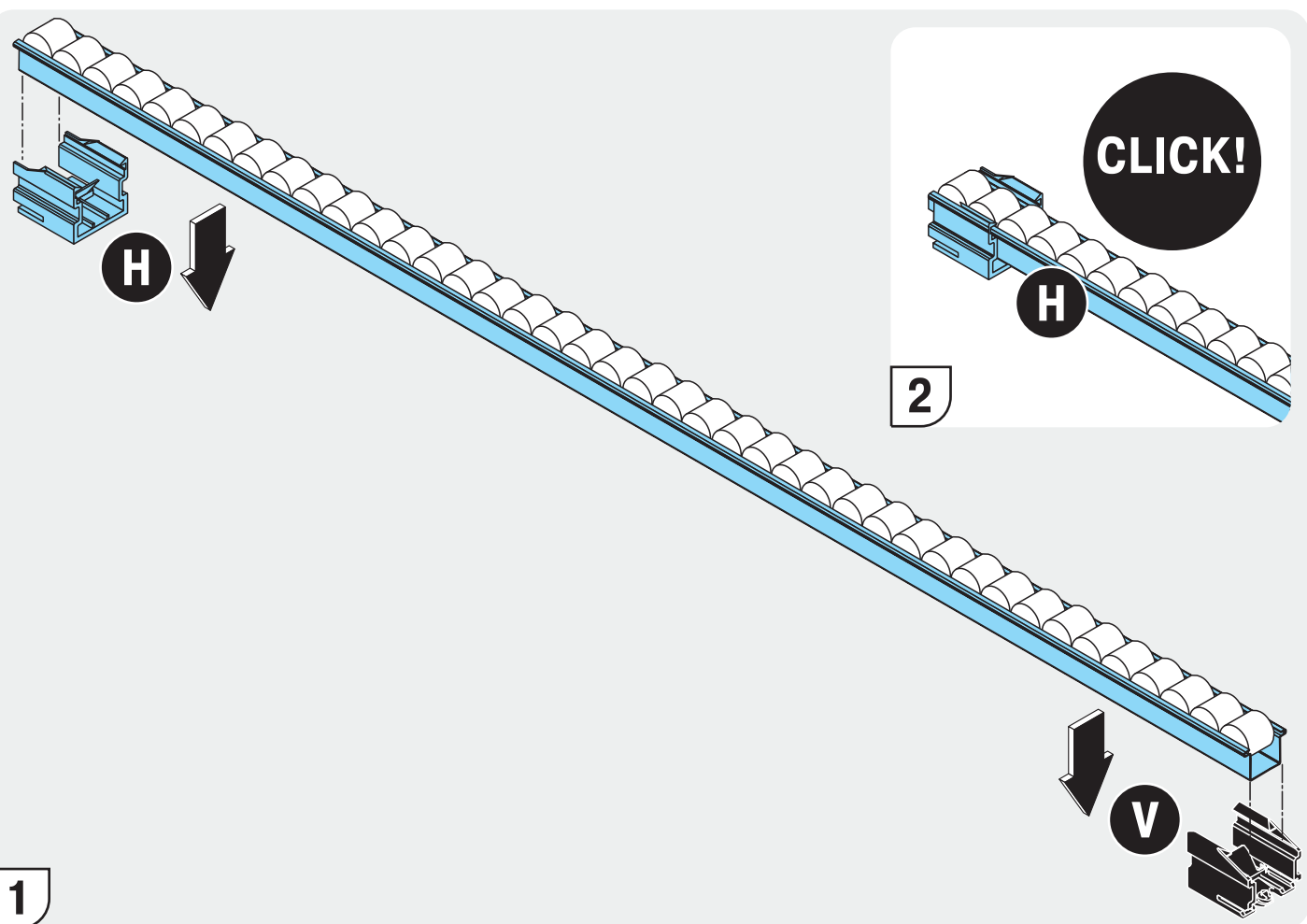


SDS-T direct



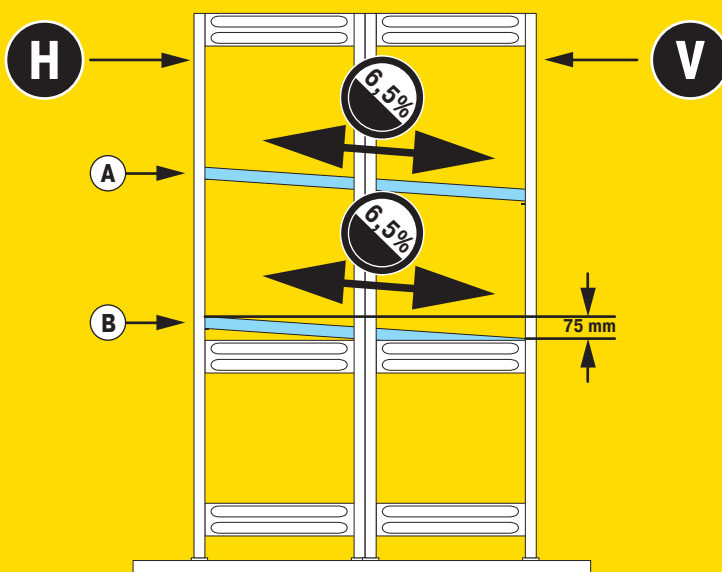
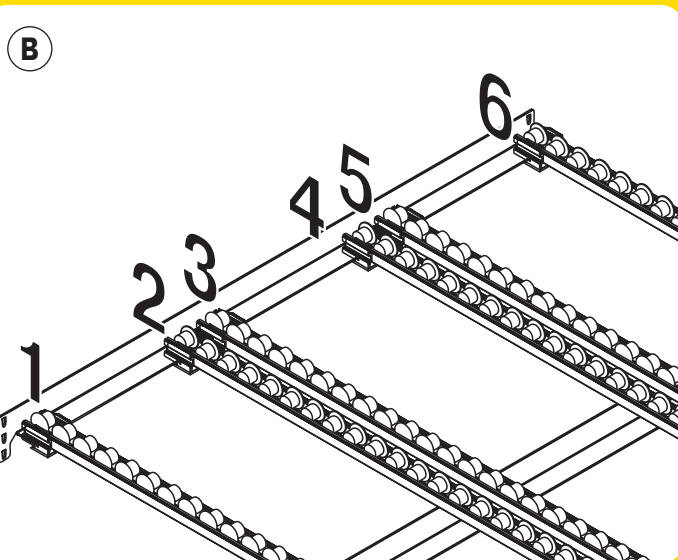
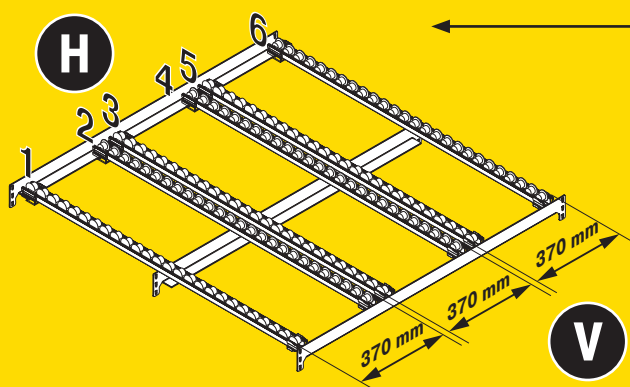
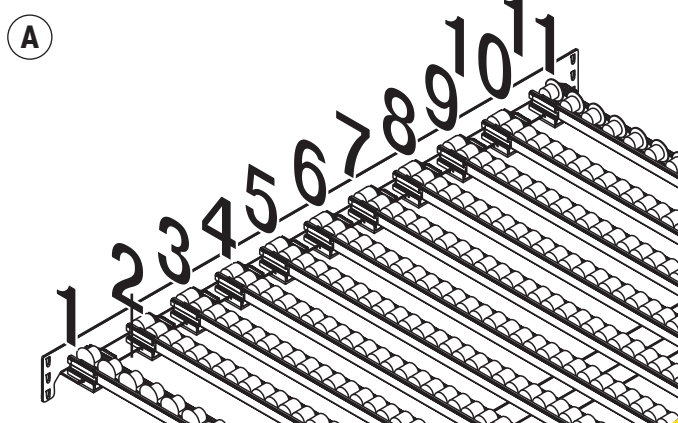
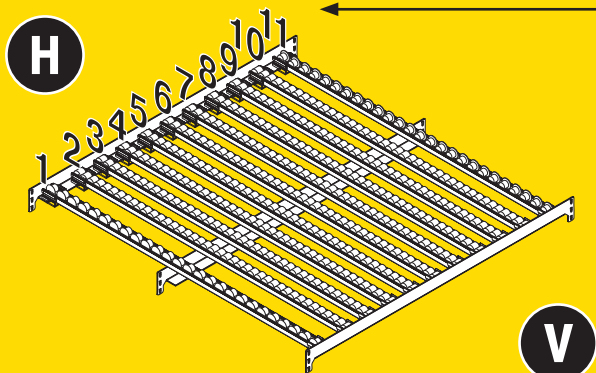


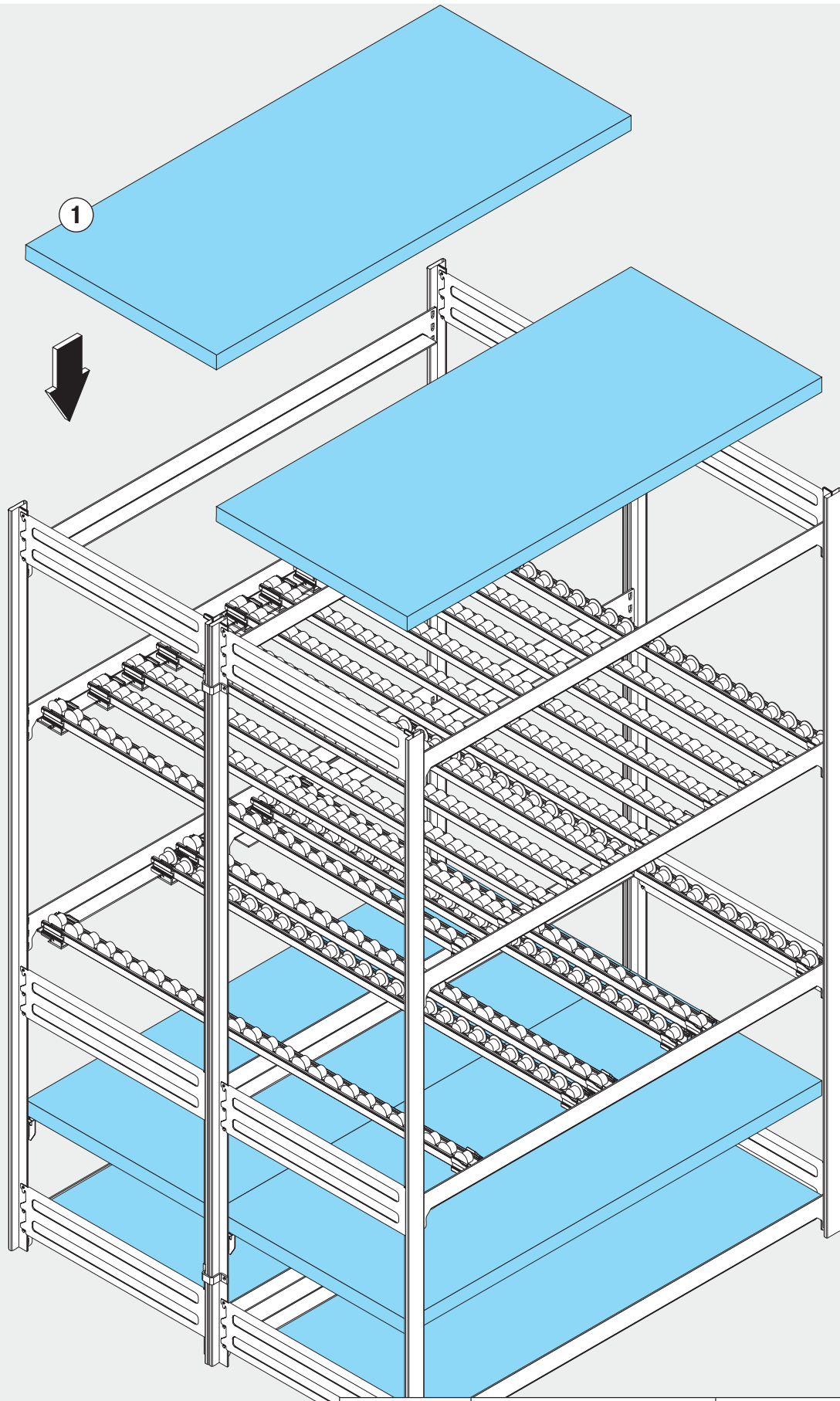
1		8x
2		9x



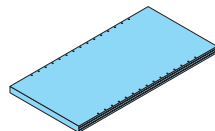
1

SDS-T direct





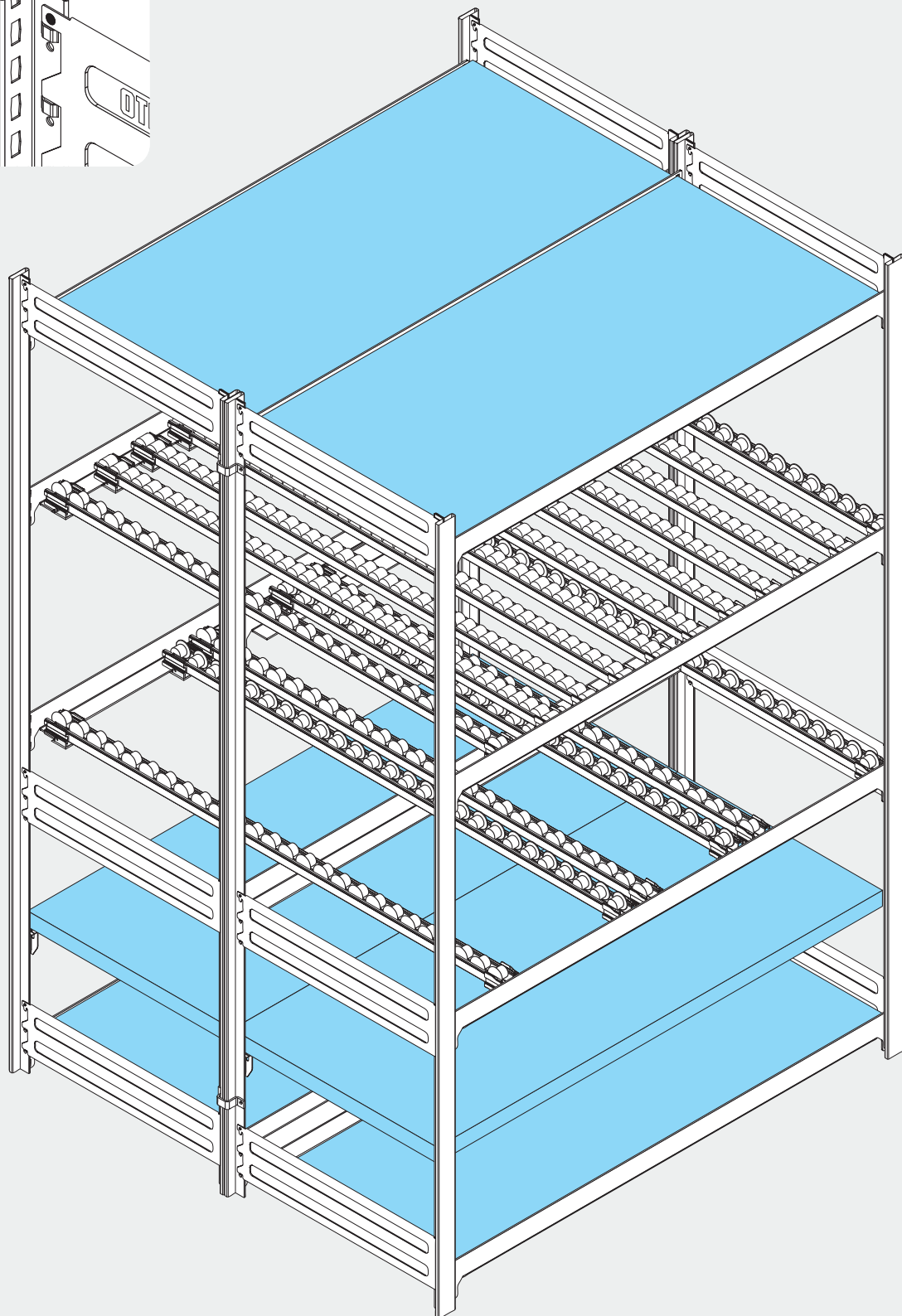
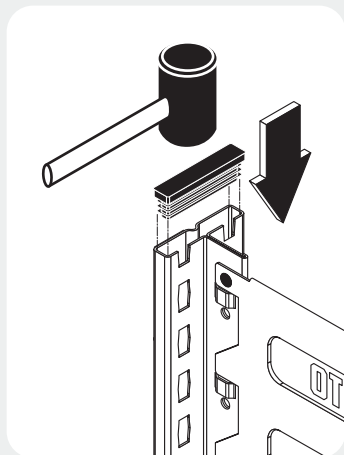
1

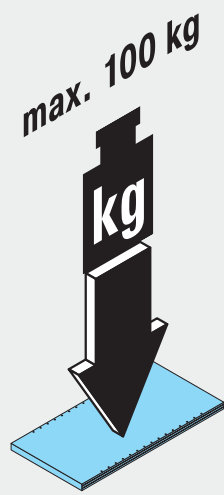
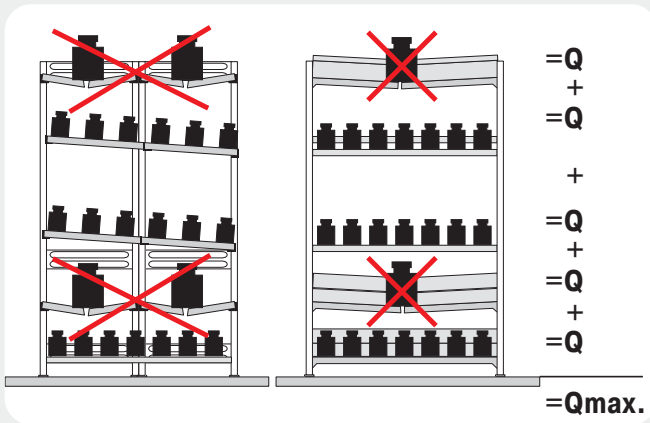


6x



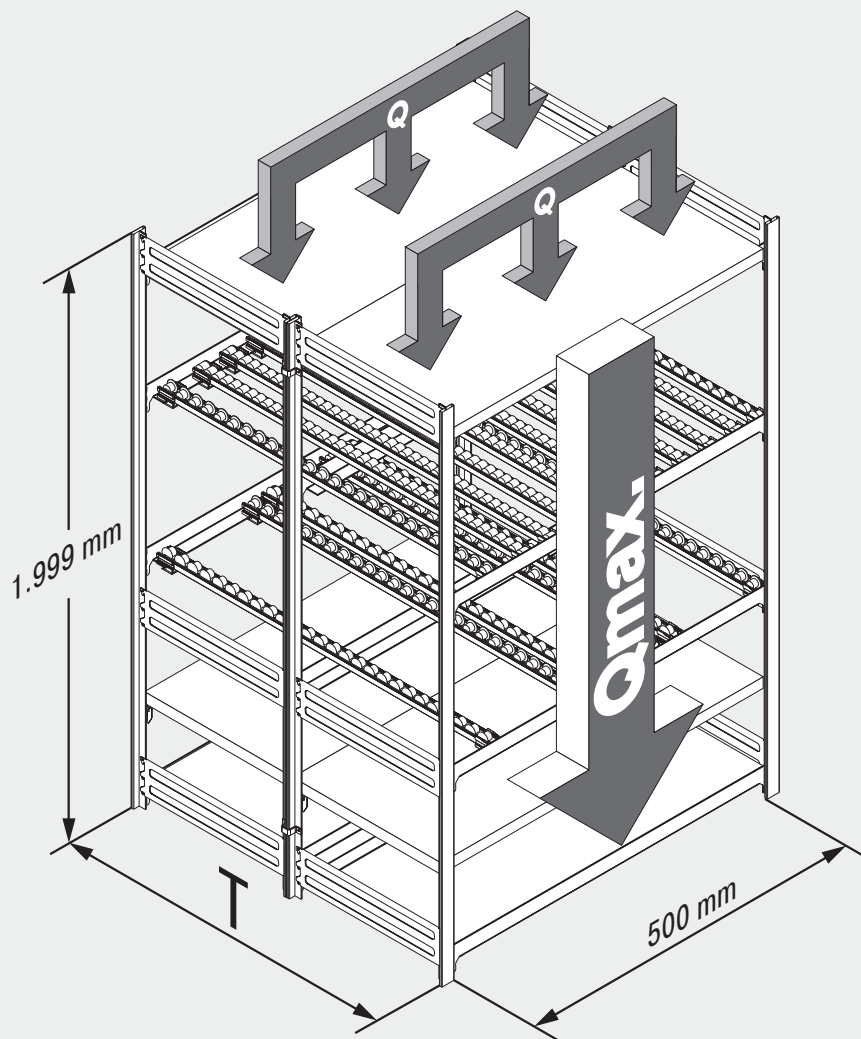
SDS-T direct





! $\Sigma Q \leq Q_{max.}$

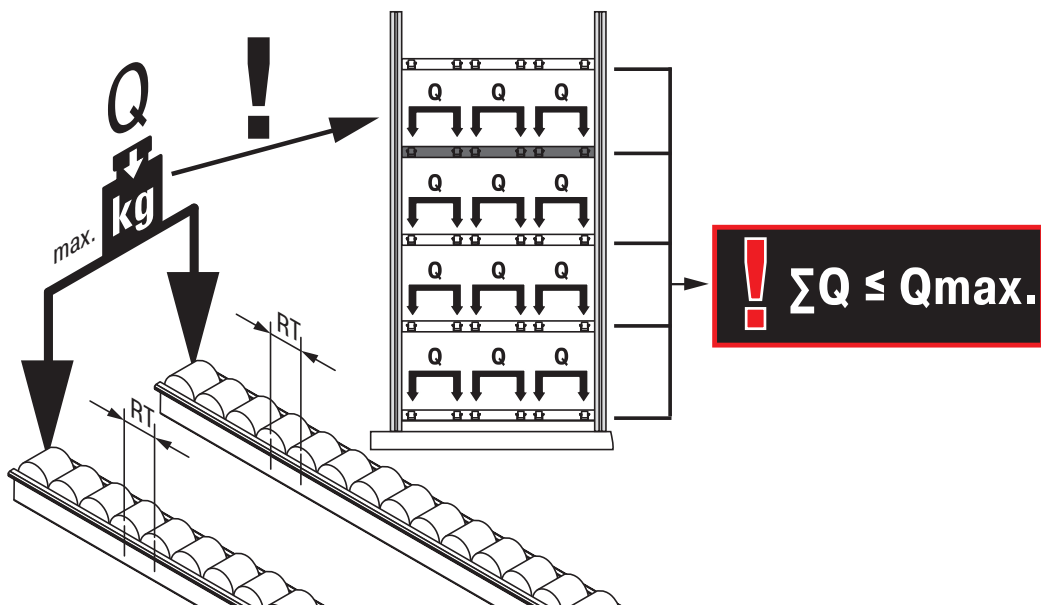
$Q_{max.} = 2 \times 800 \text{ kg!}$



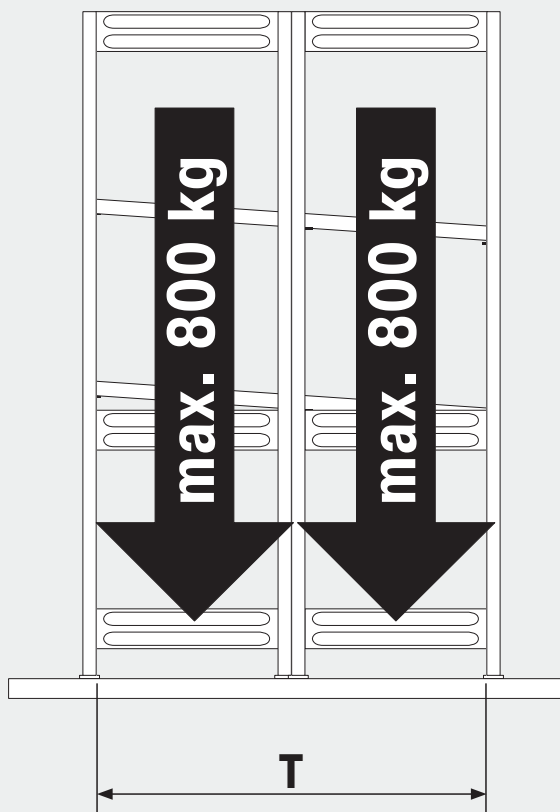
BEREITSTELLREGAL | SUPPLY RACKING

SDS-T direct

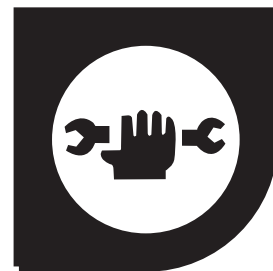
Qmax.=2 x 800 kg!



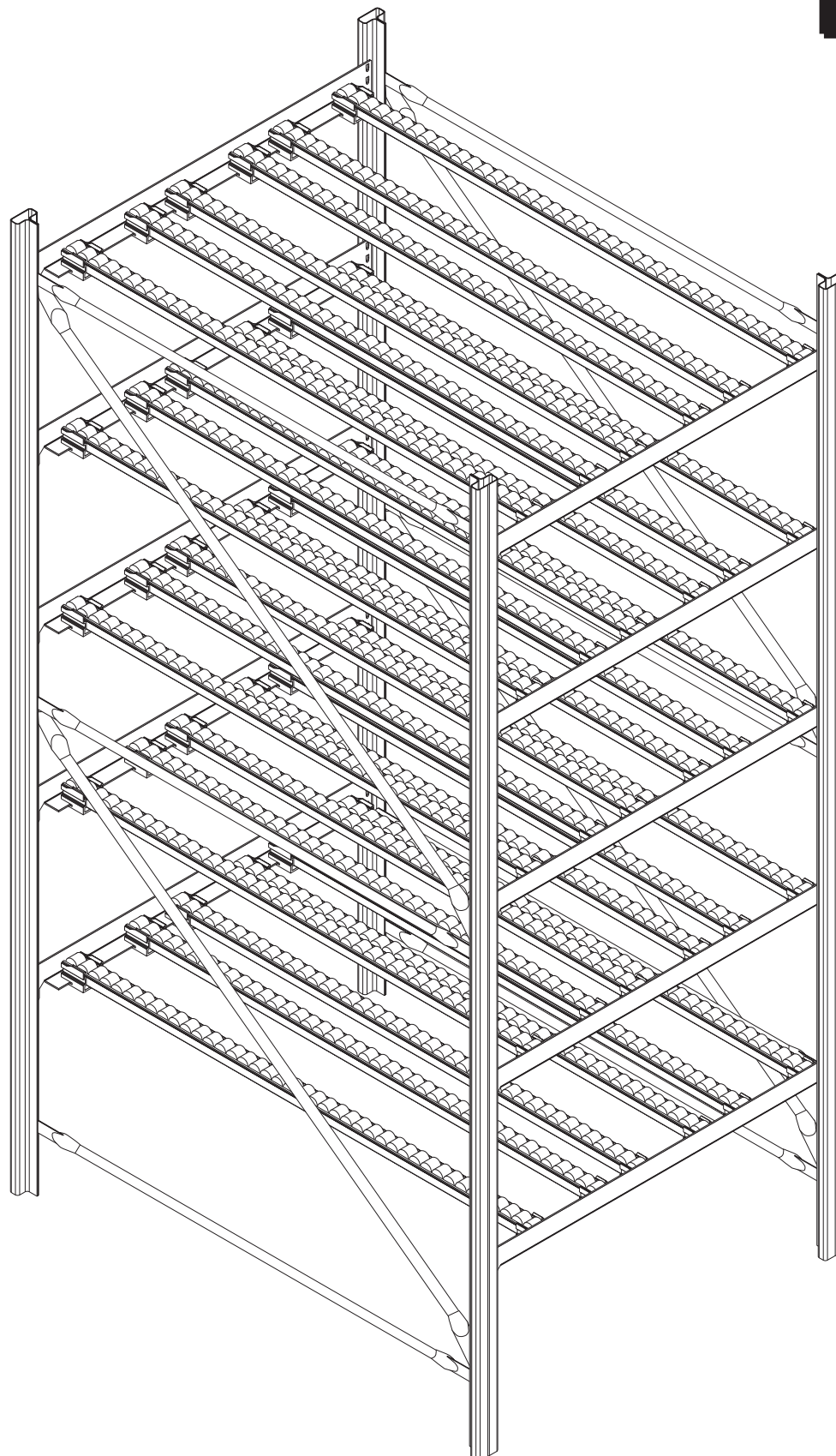
T	max. kg	
	RT 28 mm	RT 42 mm
624 mm	160 Kg	120 Kg
650 mm	152 Kg	125 Kg
824 mm	110 Kg	110 Kg
850 mm	105 Kg	105 Kg
1.050 mm	70 Kg	70 Kg
1.250 mm	50 Kg	50 Kg



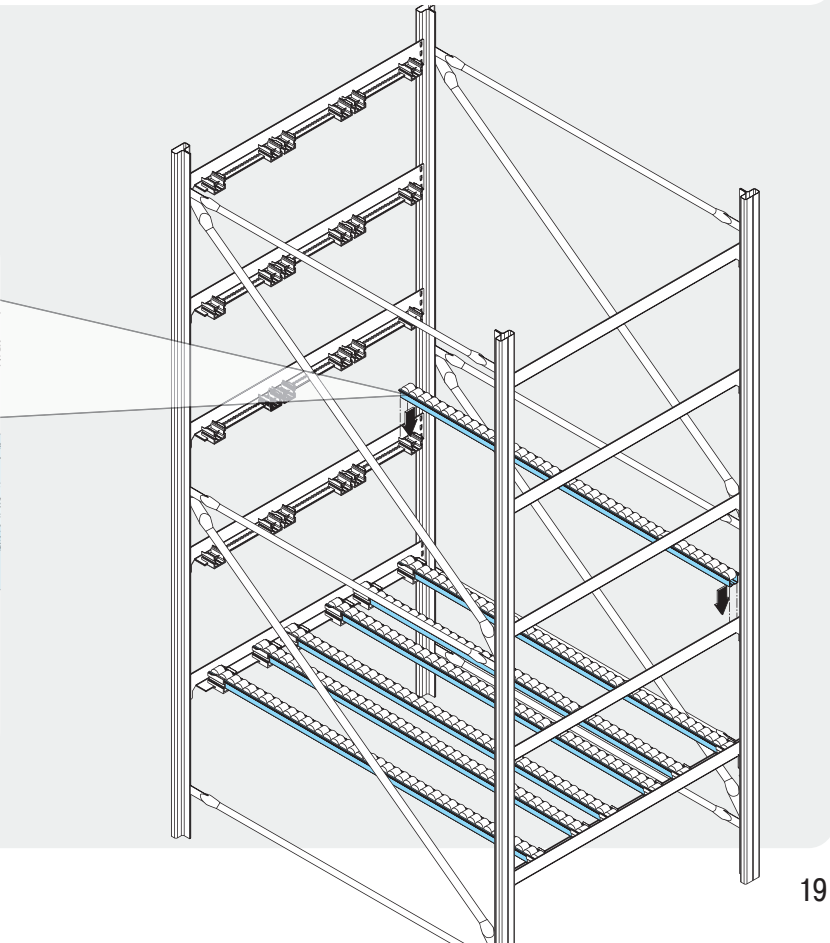
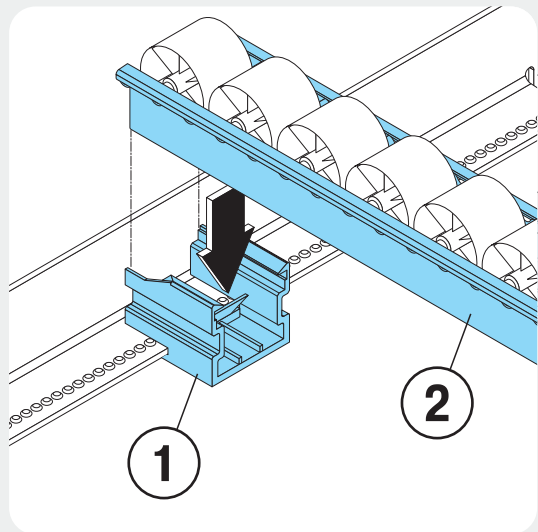
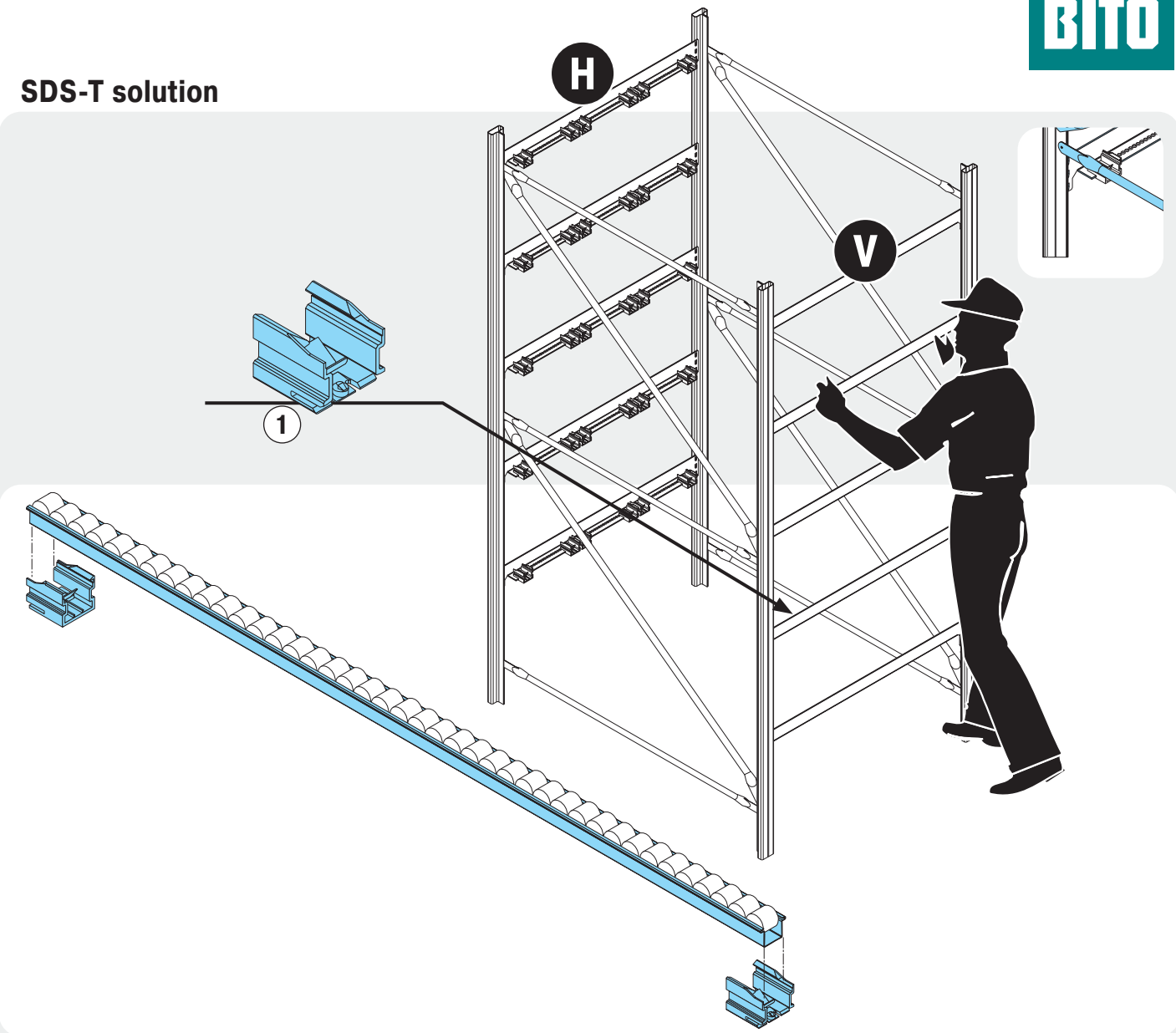
SDS-T solution

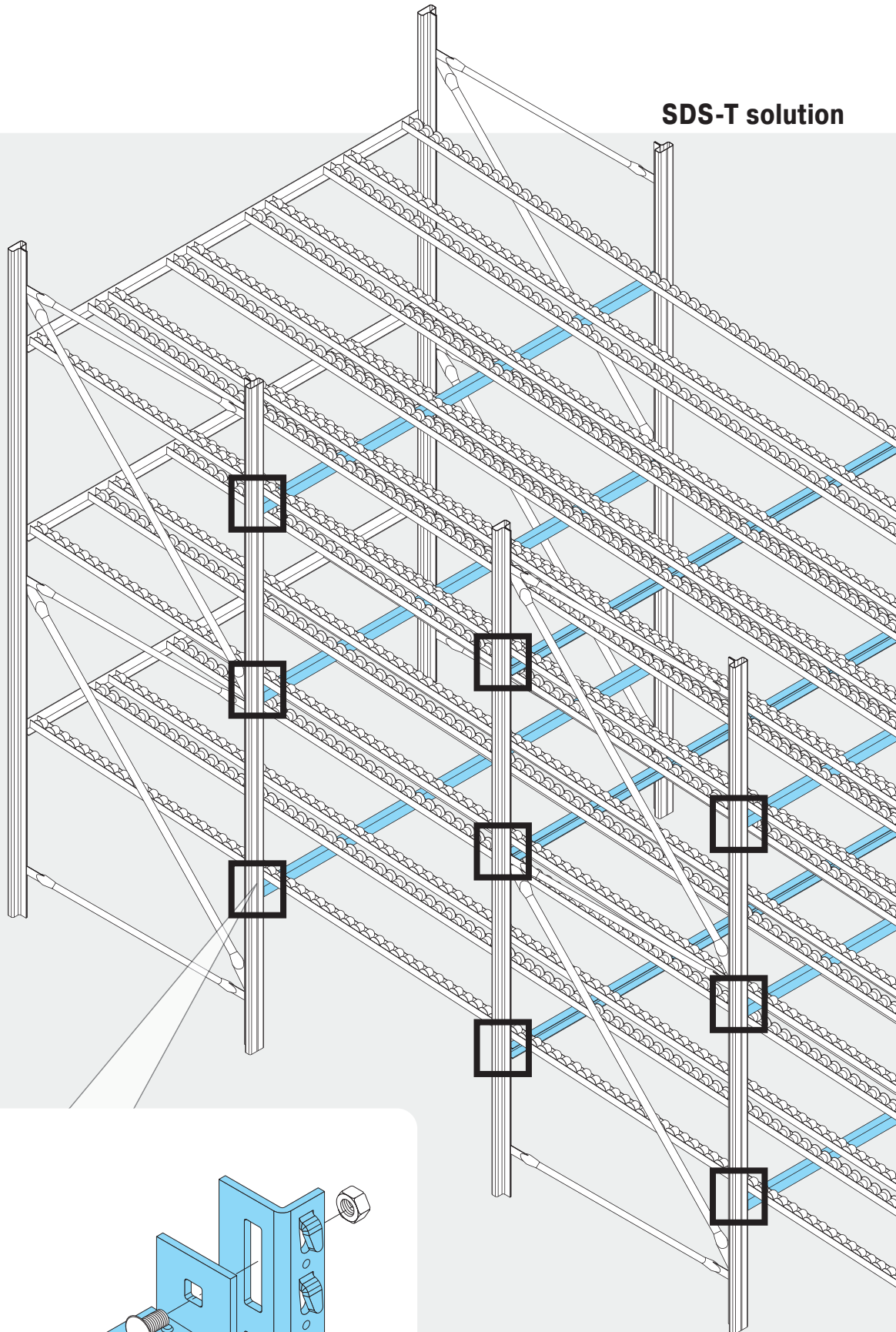
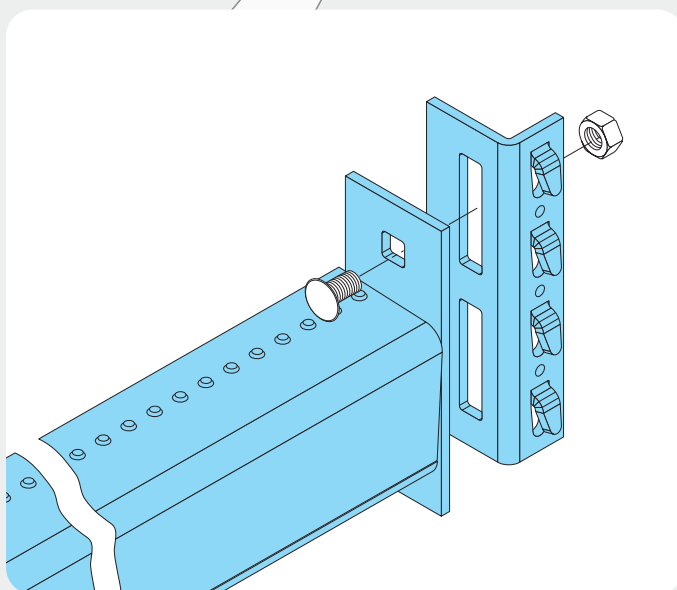


BEREITSTELLREGAL | SUPPLY RACKING



SDS-T solution





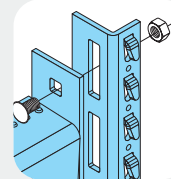
SDS-T solution

T: 624, 650, 824, 850, 1.024, 1.050, 1.224, 1.250, 1.270, 1.424 mm

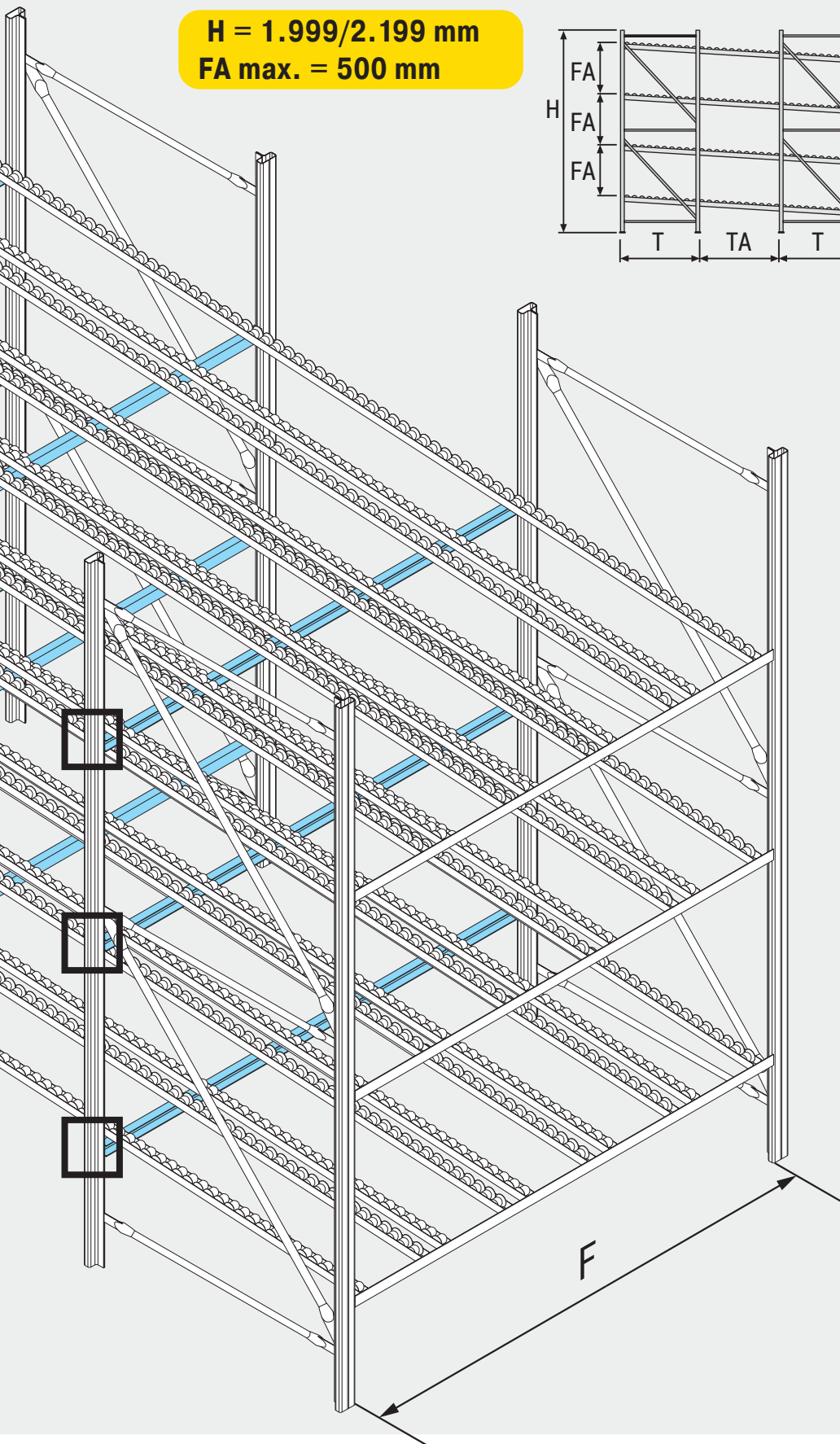
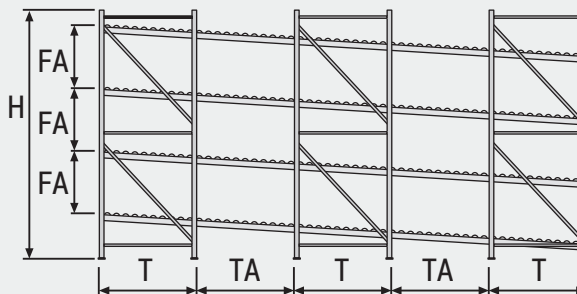
F

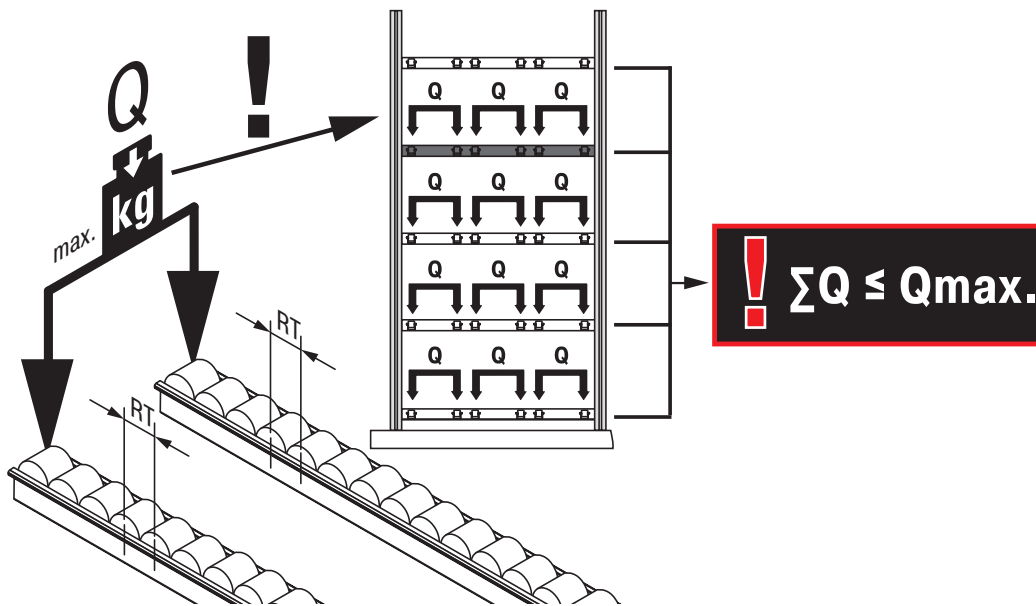
1.350 mm

1.800 mm



H = 1.999/2.199 mm
FA max. = 500 mm





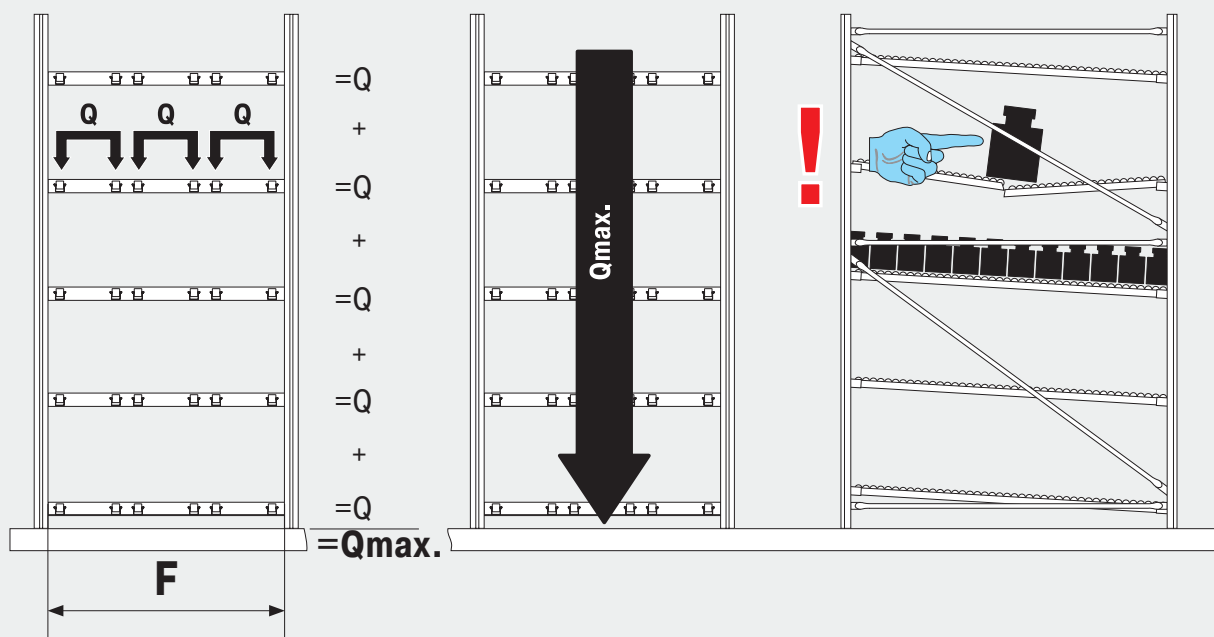
T: 624, 650, 824, 850, 1.024, 1.050, 1.224, 1.250, 1.270, 1.424 mm

F

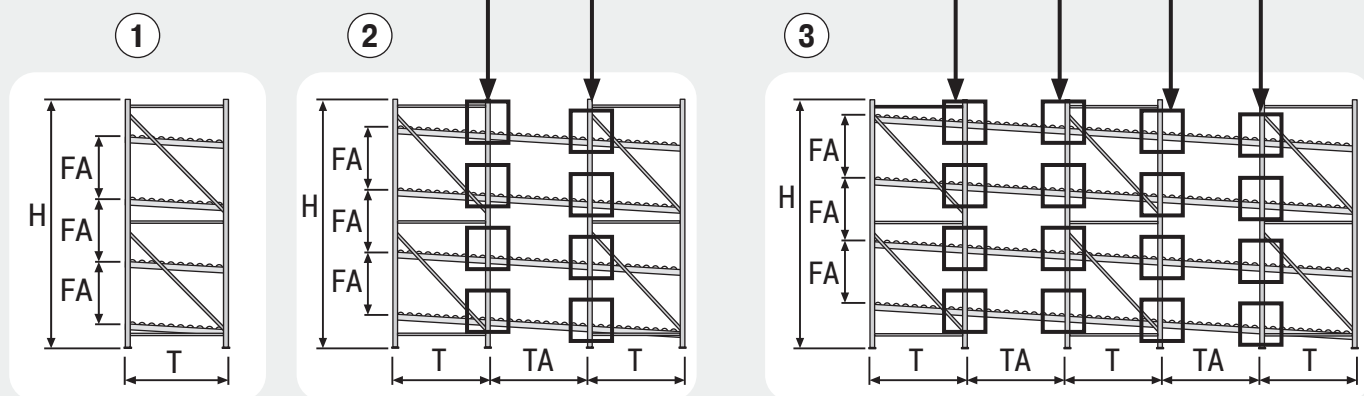
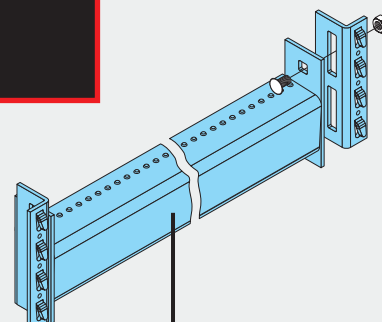
		1.350 mm		1.800 mm
	Q	Qmax	Q	Qmax
①	330 kg	2.300 kg	220 kg	1.100 kg
②	750 kg	3.750 kg	550 kg	2.750 kg
③	1.250 kg	6.250 kg	900 kg	4.500 kg

T=TA	max. kg	
	RT 28 mm	RT 42 mm
624 mm	160 Kg	120 Kg
650 mm	152 Kg	125 Kg
824 mm	110 Kg	110 Kg
850 mm	105 Kg	105 Kg
1.024 mm	75 Kg	75 Kg
1.050 mm	70 Kg	70 Kg
1.224 mm	53 Kg	53 Kg
1.250 mm	50 Kg	50 Kg
1.424 mm	40 Kg	40 Kg
1.270 mm	45 Kg	45 Kg

SDS-T solution



! $\Sigma Q \leq Q_{max.}$

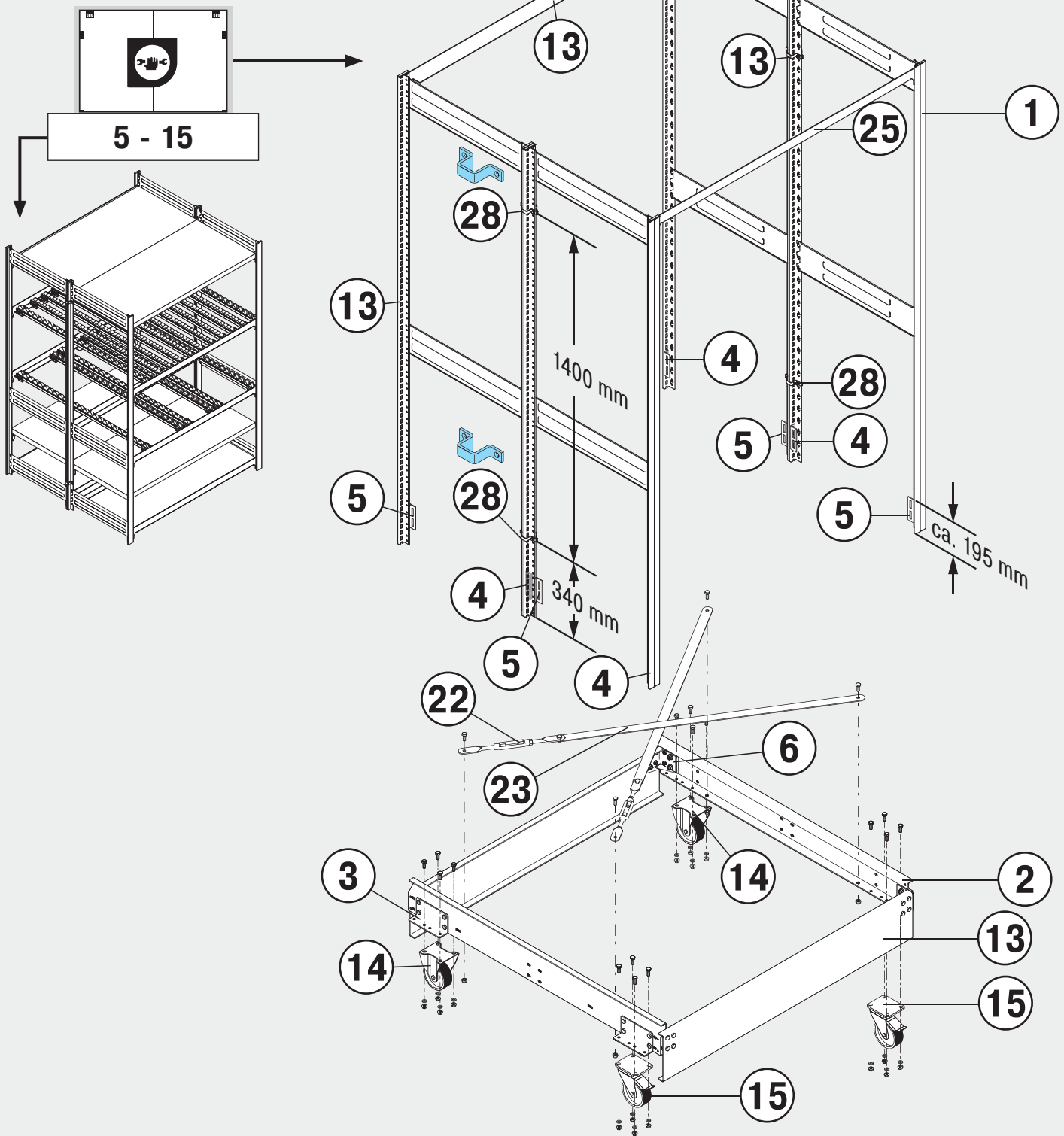


H = 1.999/2.199 mm
FA max. = 500 mm

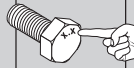
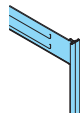






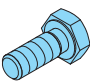

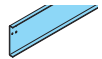


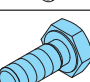

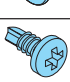




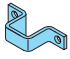



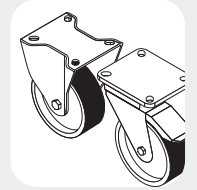
SDS-T direct verfahrbar/mobile

BEREITSTELLREGAL | SUPPLY RACKING

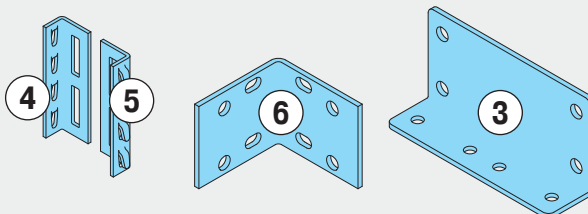



SDS-T direct

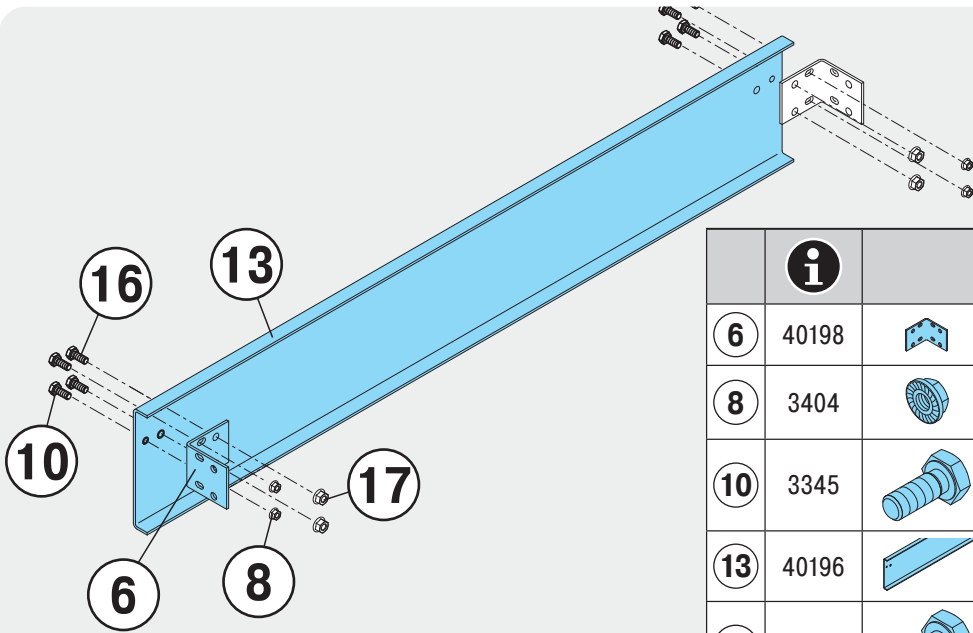
	i				
1	40197				4x
2	40194		Z4 x 129 x 1250		2x
3	25317		80 x 44 x 4		4x
4	7207		Re		4x
5	7208		Li		4x
6	40198		80 x 80 x 4		4x
8	3404		EN 1661-M 8	8	24x
10	3345		ISO4017 M8 x 20	8.8	40x
11	3399		ISO 7042-M 8	8	16x
13	40196		197.5 x 26.2 x 4		2x
14	16902				2x
15	16903				2x
16	3351		ISO4017 M10 x 20	8.8	22x
17	14090		EN 1661-M10	8	24x
18	11855		ISO15481		12x
22	3743				2x
23	33272		35 x 3 x 1125		2x
24	22960		ISO 7042-M10	8	6x
25	7711				10x
28	15969				8x
29	3431		ISO 7089-A		16x

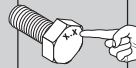


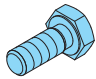
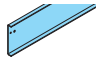
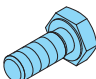



BEREITSTELLREGAL | SUPPLY RACKING

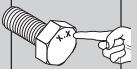


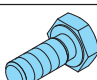



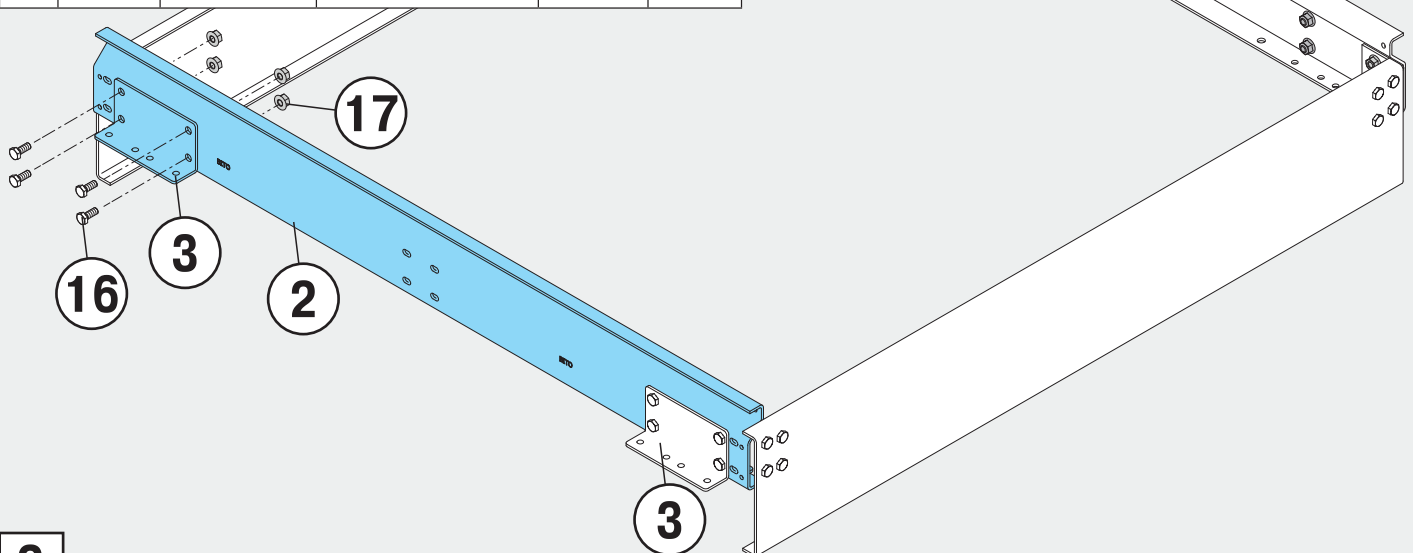
M6-8.8	8 Nm	
M8-8.8	22 Nm	
M10-8.8	45 Nm	
M10-10.9	70 Nm	
M12-8.8	70 Nm	
M12-10.9	110 Nm	



	i				
6	40198		80 x 80 x 4		4x
8	3404		EN 1661-M 8	8	8x
10	3345		ISO4017 M8 x 20	8.8	8x
13	40196		197.5 x 26.2 x 4		2x
16	3351		ISO4017 M10 x 20	8.8	8x
17	14090		EN 1661-M10	8	8x

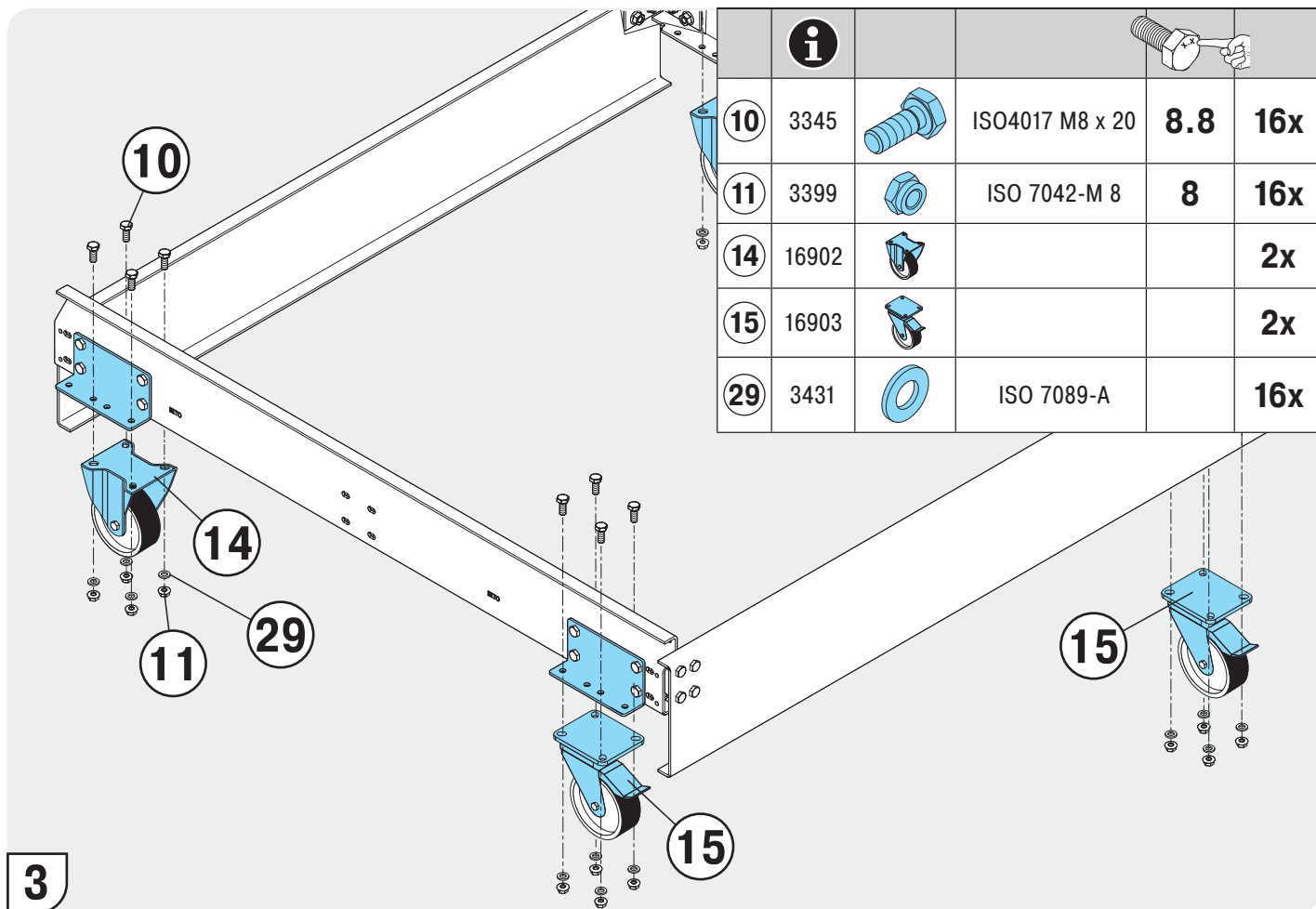
1

	i				
2	40194		Z4 x 129 x 1250		2x
3	25317		80 x 44 x 4		4x
16	3351		ISO4017 M10 x 20	8.8	16x
17	14090		EN 1661-M10	8	16x



2

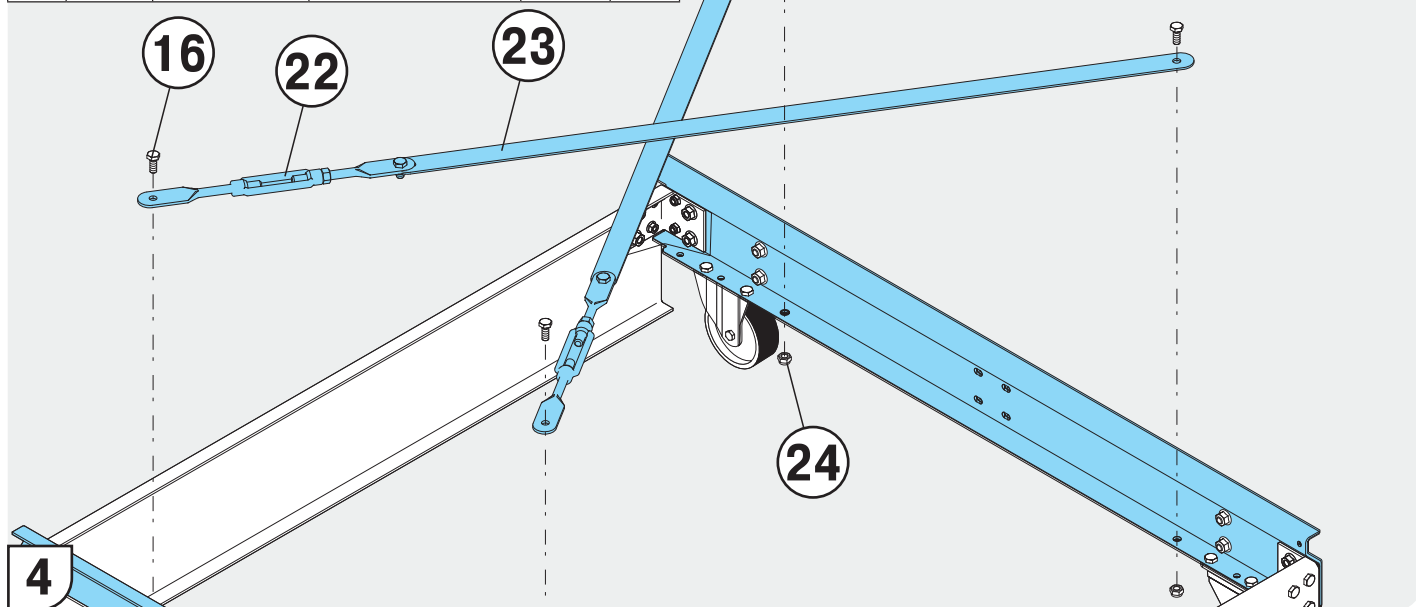
SDS-T direct



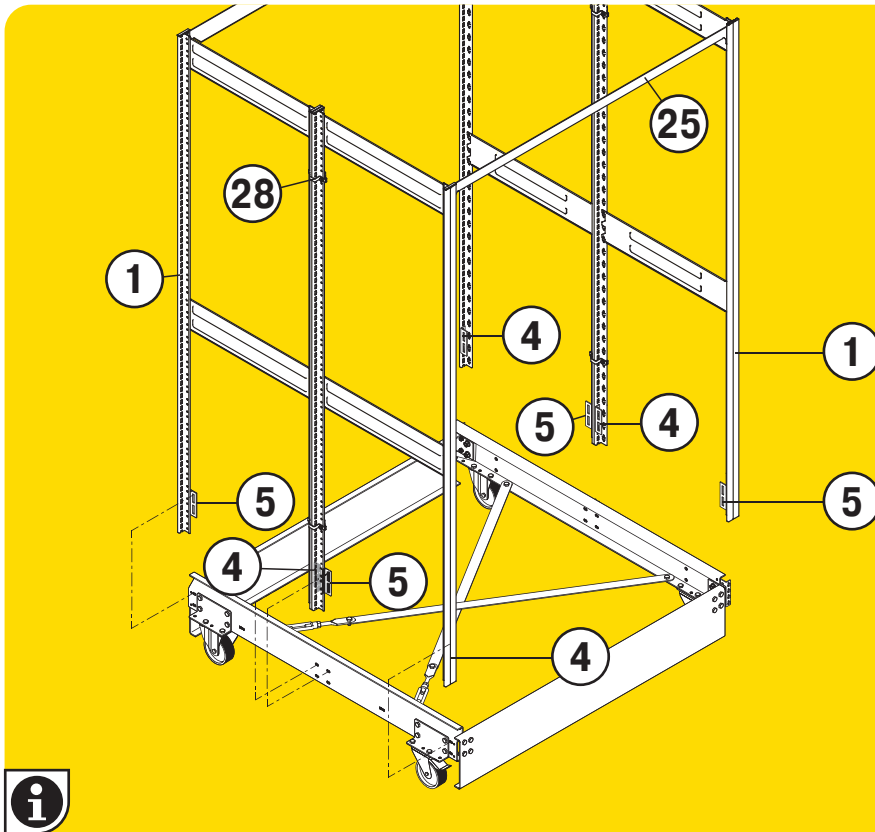
	i				
10	3345		ISO4017 M8 x 20	8.8	16x
11	3399		ISO 7042-M 8	8	16x
14	16902				2x
15	16903				2x
29	3431		ISO 7089-A		16x

3

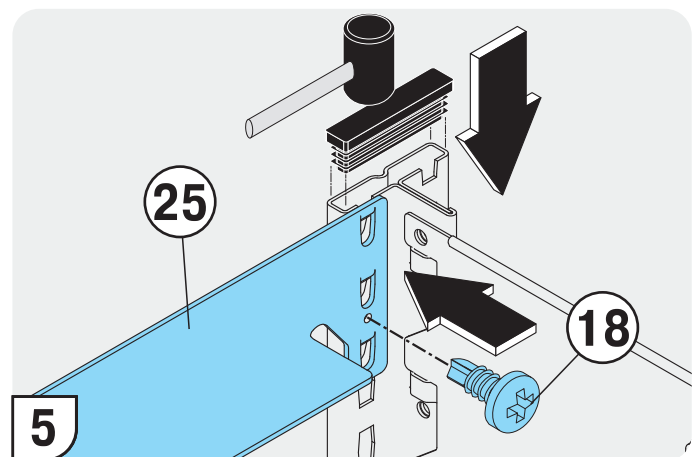
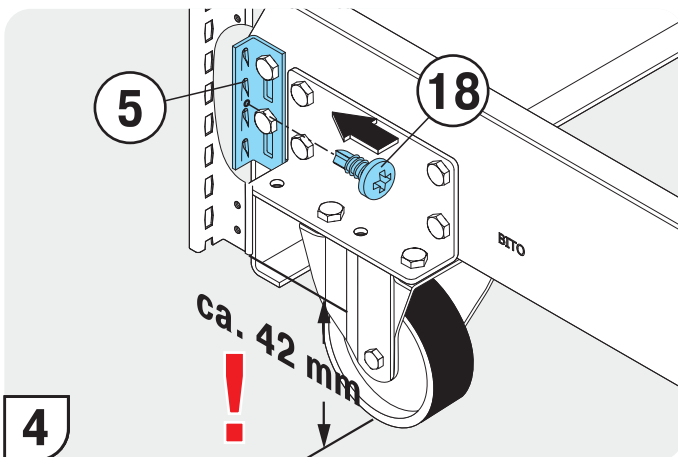
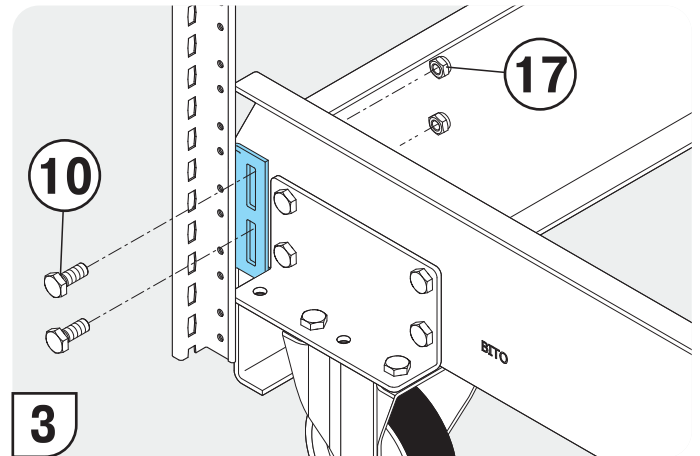
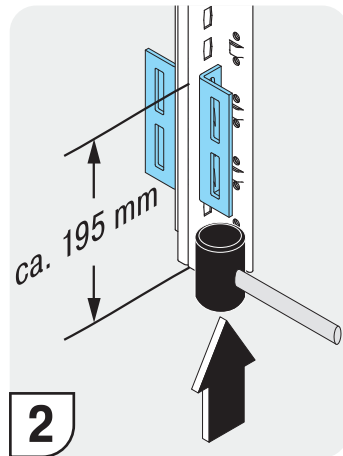
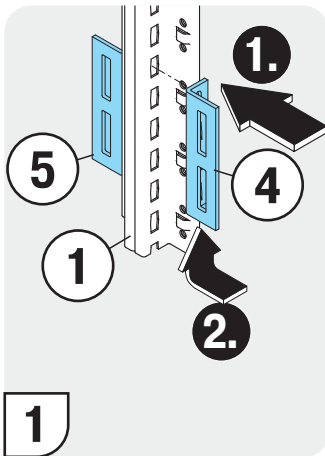
	i				
16	3351		ISO4017 M10 x 20	8.8	4x
22	3743				2x
23	33272		35 x 3 x 1125		2x
24	22960		ISO 7042-M10	8	4x



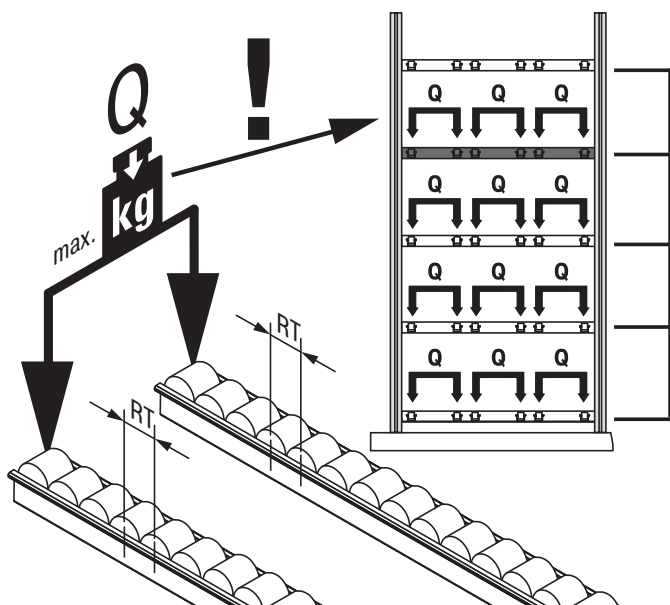
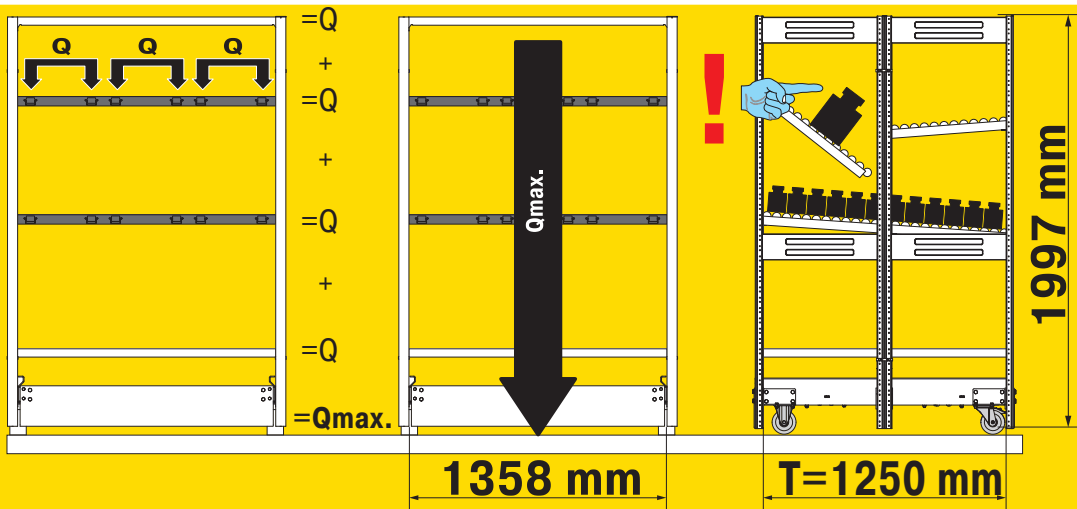
4



	i				
1	40197				2x
4	7207		Re		4x
5	7208		Li		4x
10	3345		ISO4017 M8 x 20	8.8	16x
17	14090		EN 1661-M10	8	16x
18	11855		ISO15481		8x
25	7711				2x
28	15969				8x



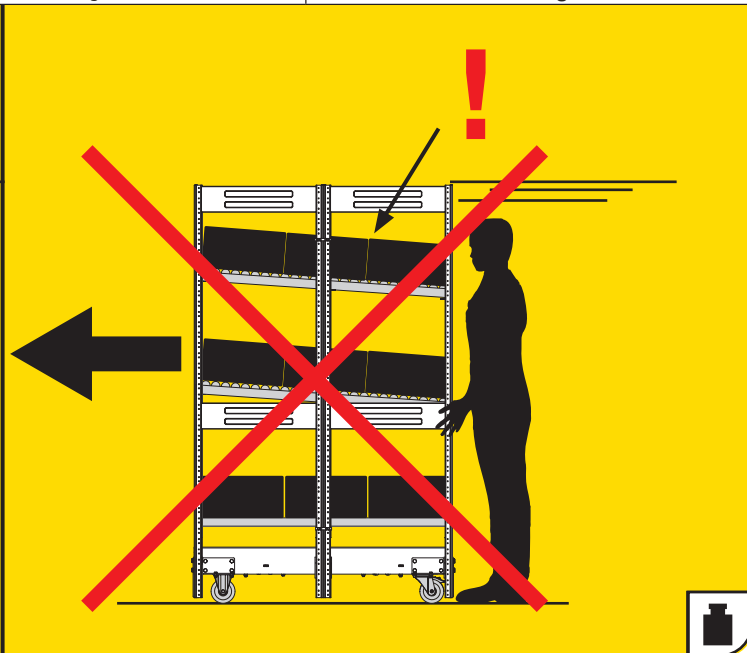
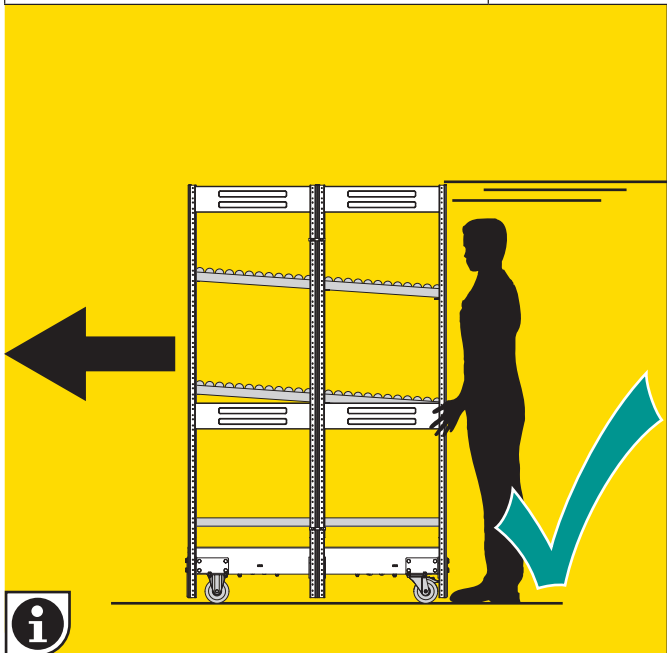
SDS-T direct



! $\Sigma Q \leq Q_{max.}$

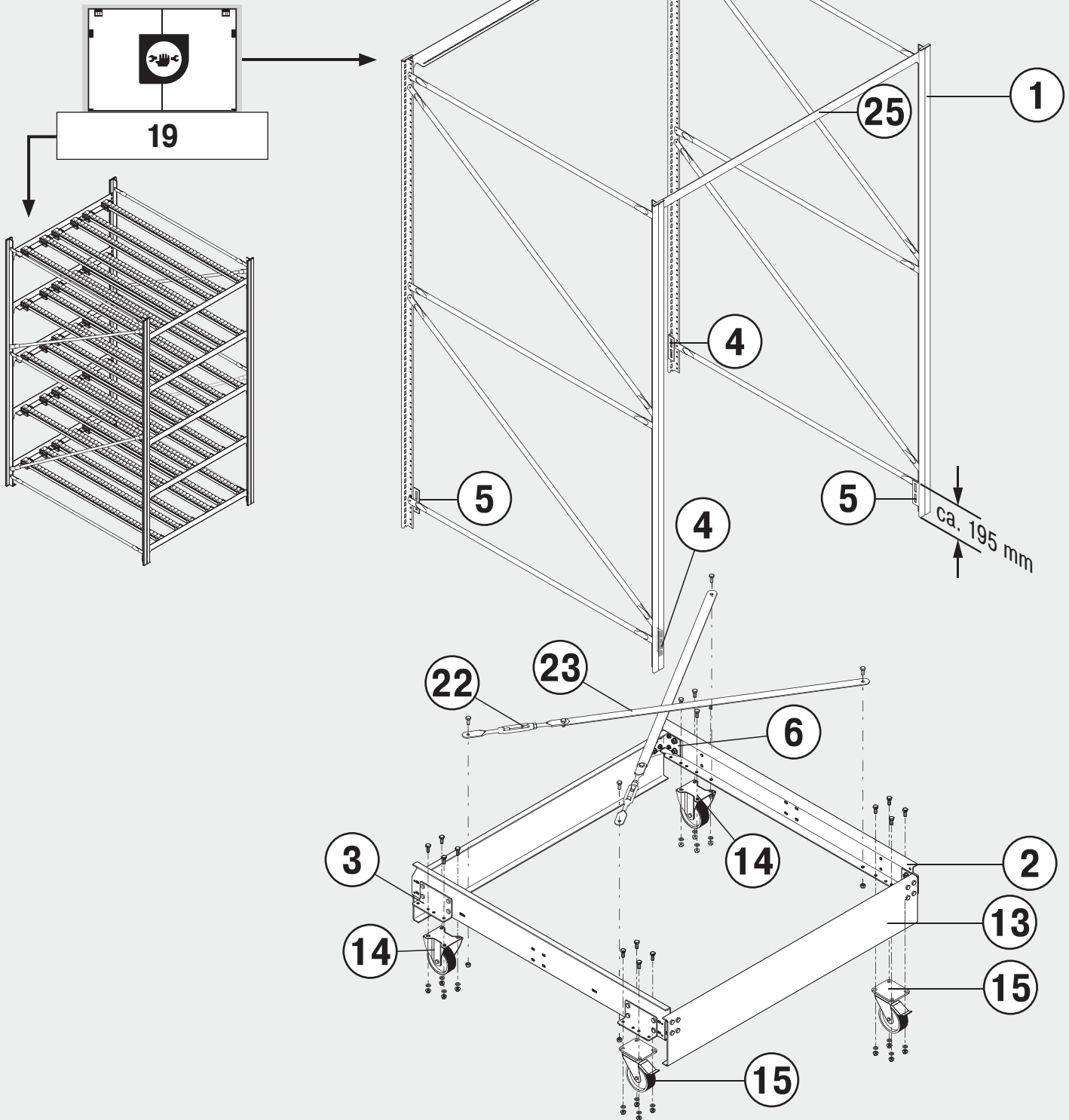
$Q_{max.} = 1 \times 1000 \text{ kg!}$

T=TA	max. kg	
	RT 28 mm	RT 42 mm
1.250 mm	50 Kg	50 Kg

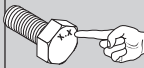
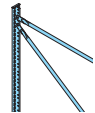
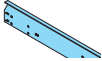

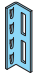





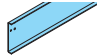


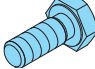

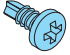







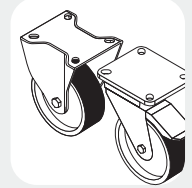
SDS-T solution verfahrbar/mobile

BEREITSTELLREGAL | SUPPLY RACKING

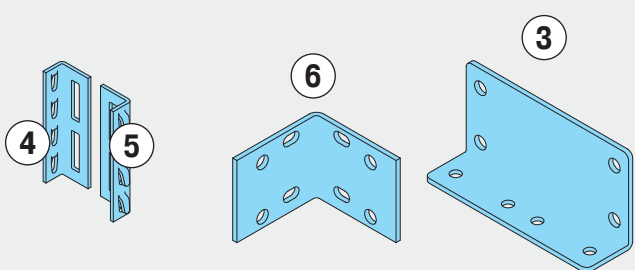


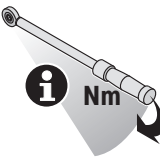
SDS-T solution

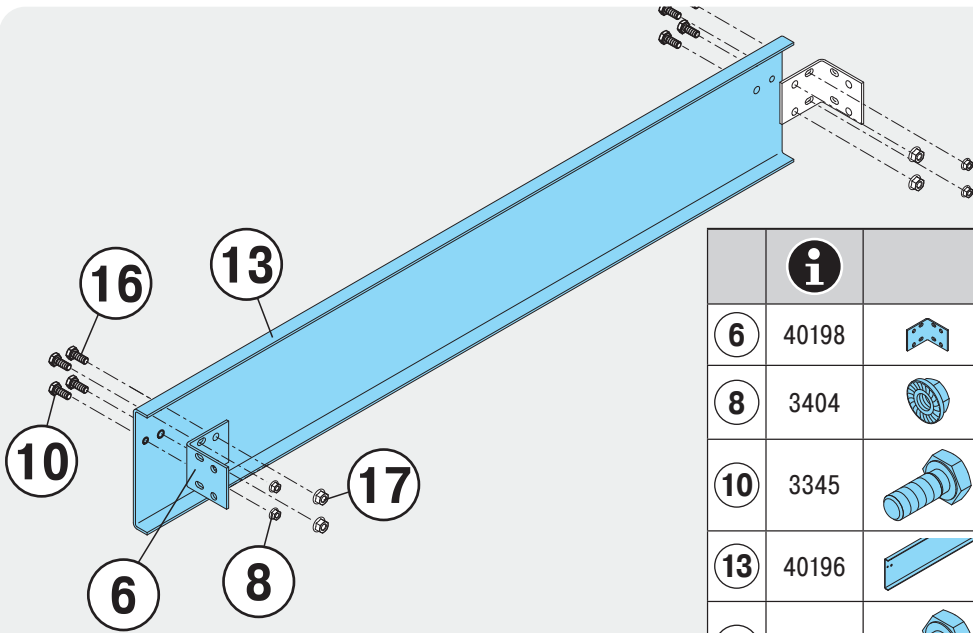
	i				
1	40192				2x
2	40194		Z4 x 129 x 1250		2x
3	25317		80 x 44 x 4		4x
4	7207		Re		2x
5	7208		Li		2x
6	40198		80 x 80 x 4		4x
8	3404		EN 1661-M 8	8	24x
10	3345		ISO4017 M8 x 20	8.8	40x
11	3399		ISO 7042-M 8	8	16x
13	40196		197.5 x 26.2 x 4		2x
14	16902				2x
15	16903				2x
16	3351		ISO4017 M10 x 20	8.8	22x
17	14090		EN 1661-M10	8	24x
18	11855		ISO15481		8x
22	3743				2x
23	25336		35 x 3 x 1256		2x
24	22960		ISO 7042-M10	8	6x
25	7711				10x
29	3431		ISO 7089-A		16x



BEREITSTELLREGAL | SUPPLY RACKING



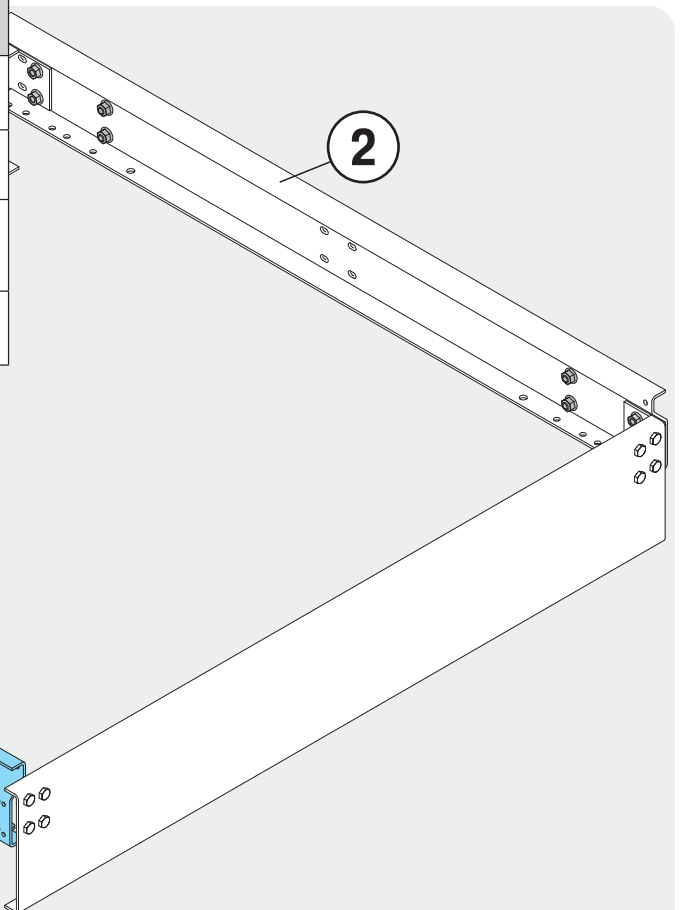
M6-8.8	8 Nm	
M8-8.8	22 Nm	
M10-8.8	45 Nm	
M10-10.9	70 Nm	
M12-8.8	70 Nm	
M12-10.9	110 Nm	



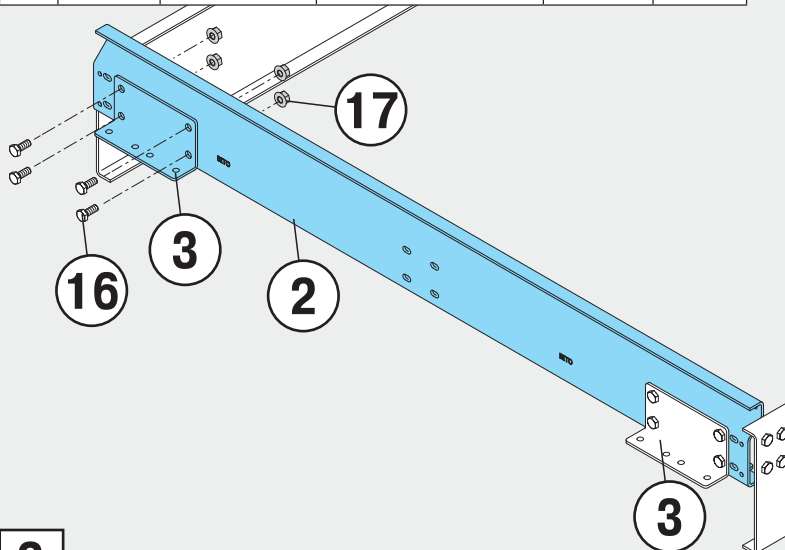
	i				
6	40198		80 x 80 x 4		4x
8	3404		EN 1661-M 8	8	8x
10	3345		ISO4017 M8 x 20	8.8	8x
13	40196		197.5 x 26.2 x 4		2x
16	3351		ISO4017 M10 x 20	8.8	8x
17	14090		EN 1661-M10	8	8x

1

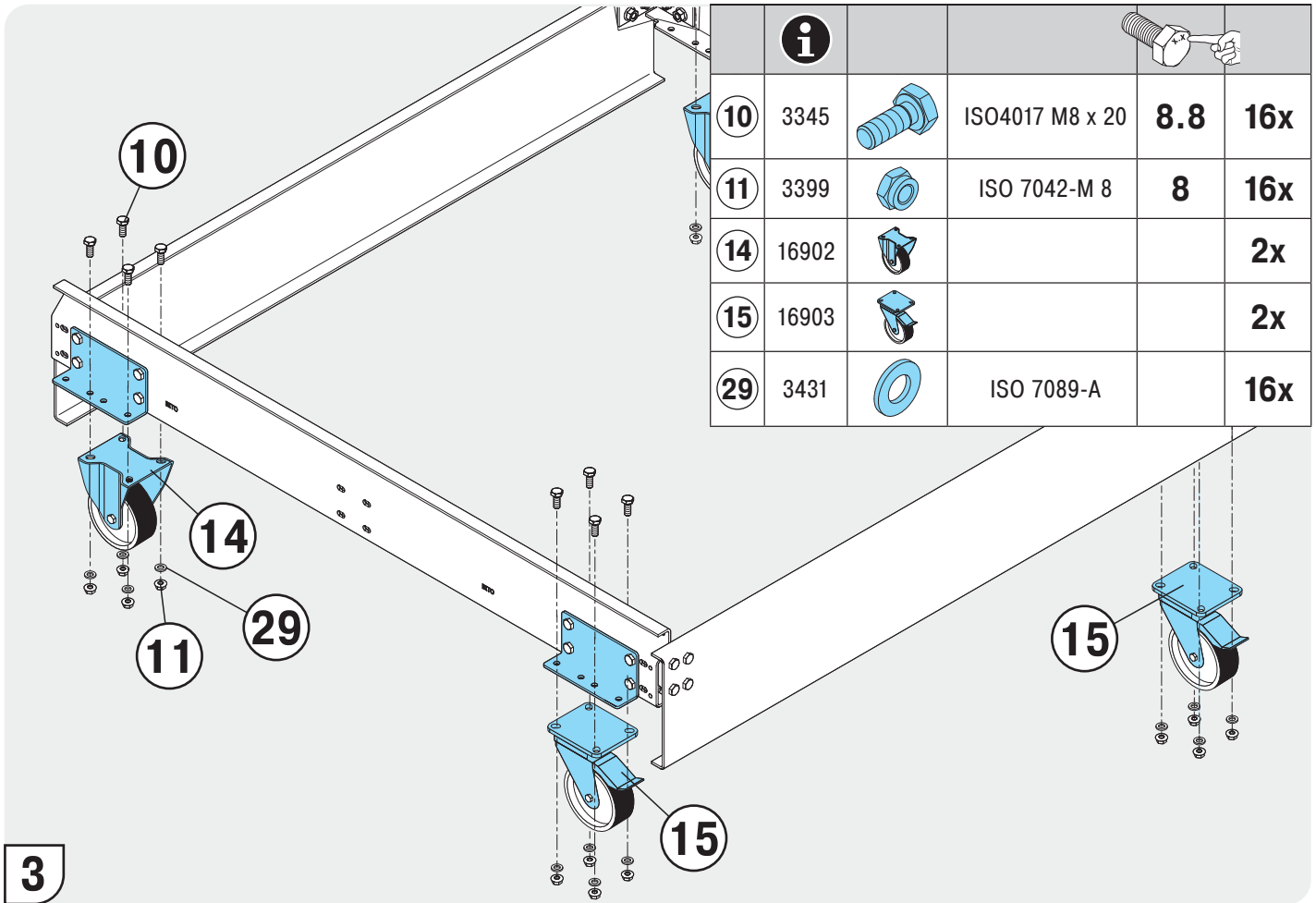
	i				
2	40194		Z4 x 129 x 1250		2x
3	25317		80 x 44 x 4		4x
16	3351		ISO4017 M10 x 20	8.8	16x
17	14090		EN 1661-M10	8	16x



2



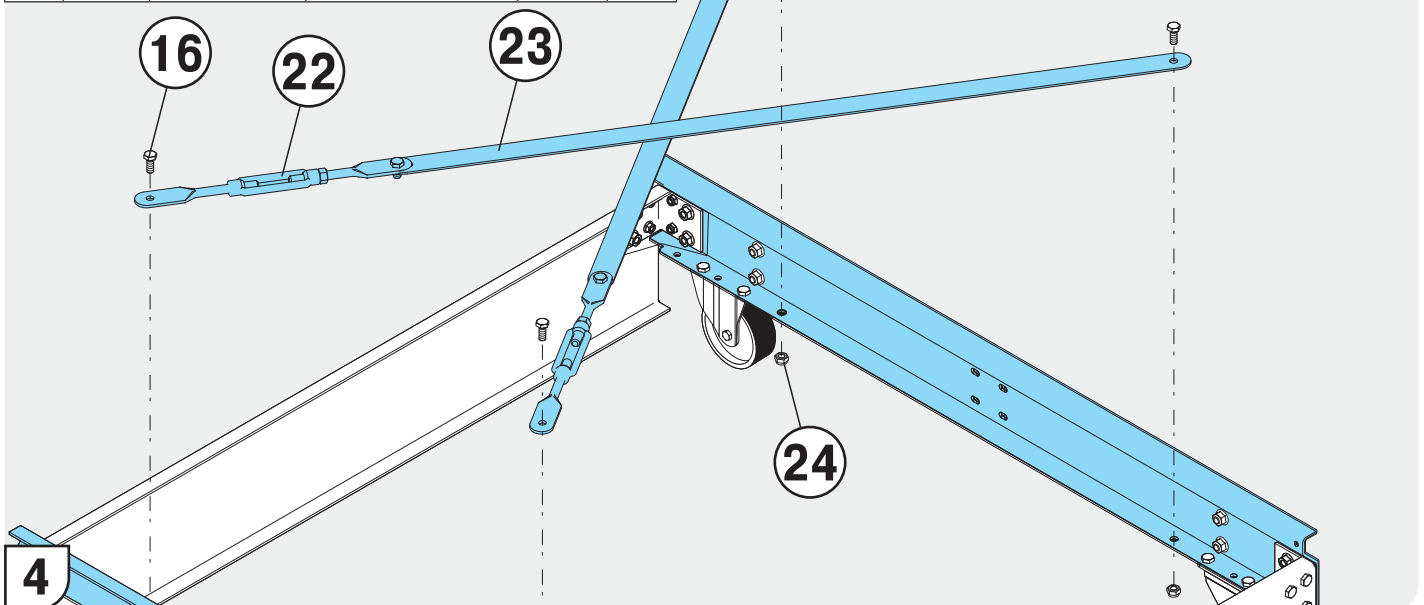
SDS-T solution



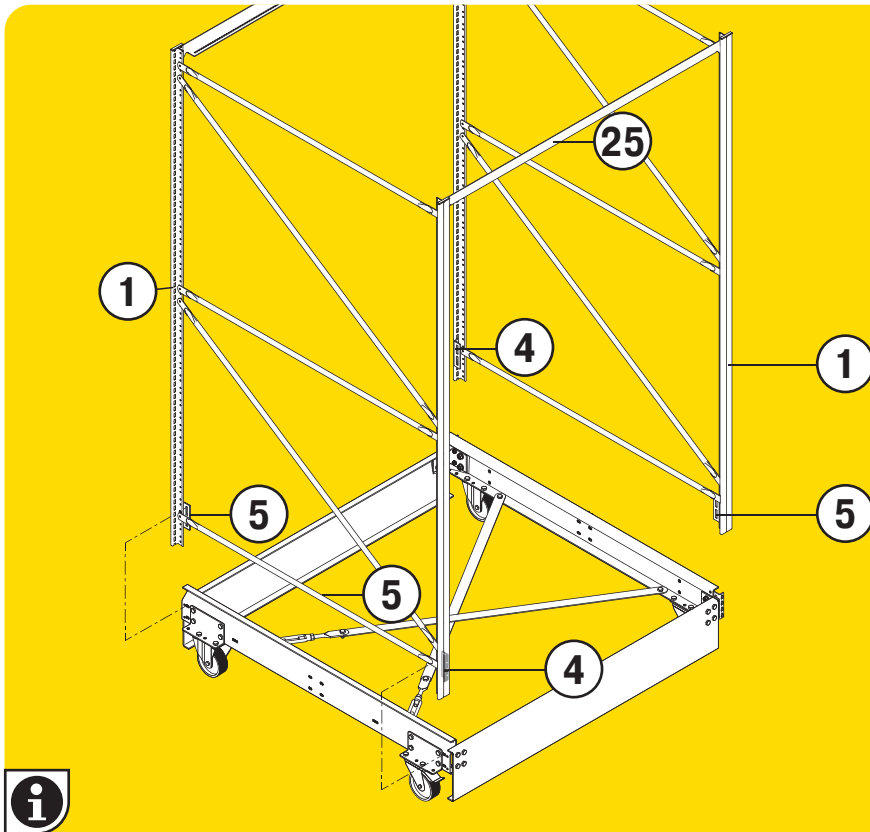
	i				
10	3345		ISO4017 M8 x 20	8.8	16x
11	3399		ISO 7042-M 8	8	16x
14	16902				2x
15	16903				2x
29	3431		ISO 7089-A		16x

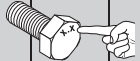
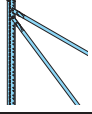


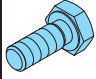
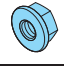
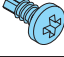

3

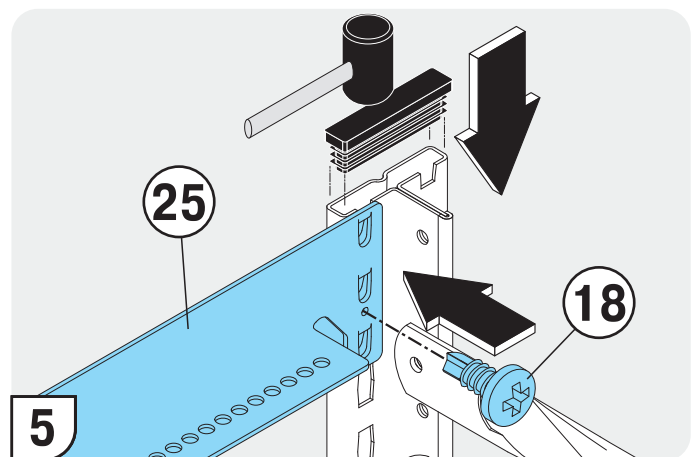
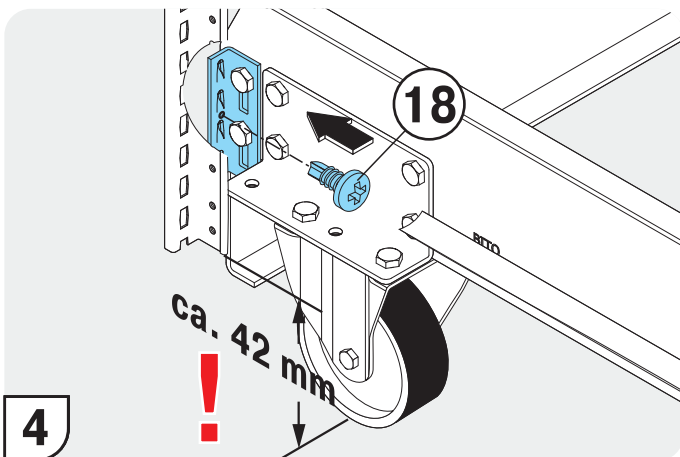
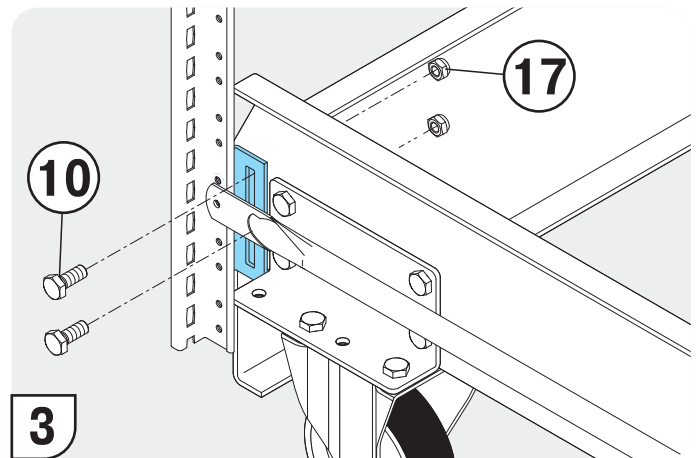
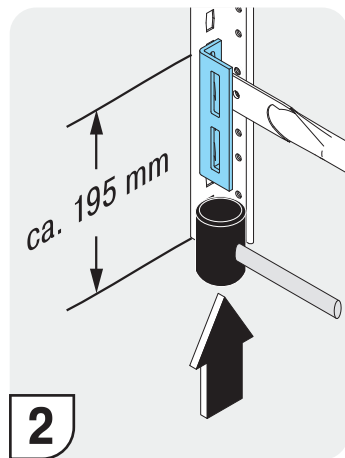
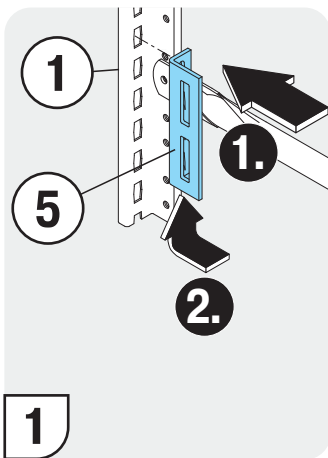
	i				
16	3351		ISO4017 M10 x 20	8.8	4x
22	3743				2x
23	25336		35 x 3 x 1256		2x
24	22960		ISO 7042-M10	8	4x



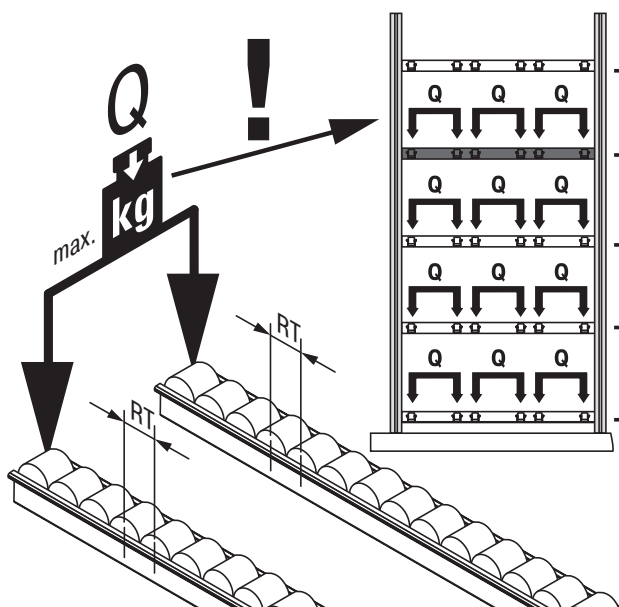
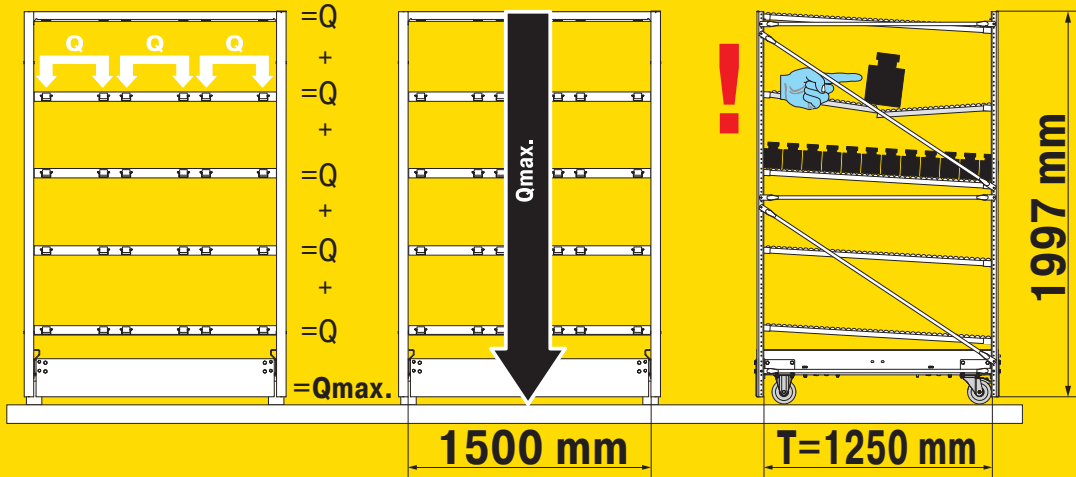
4



	i				
1	40197				2x
4	7207		Re		4x
5	7208		Li		4x
10	3345		ISO4017 M8 x 20	8.8	16x
17	14090		EN 1661-M10	8	16x
18	11855		ISO15481		8x
25	7711				2x



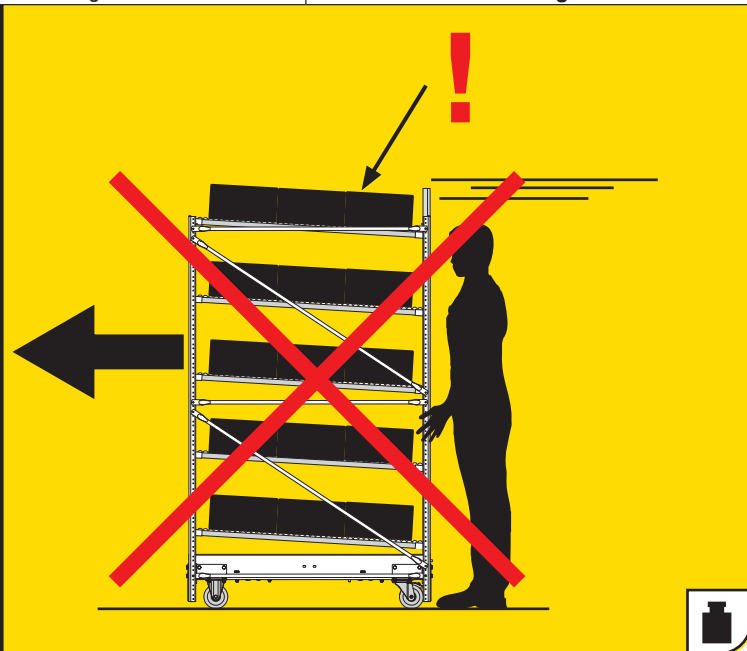
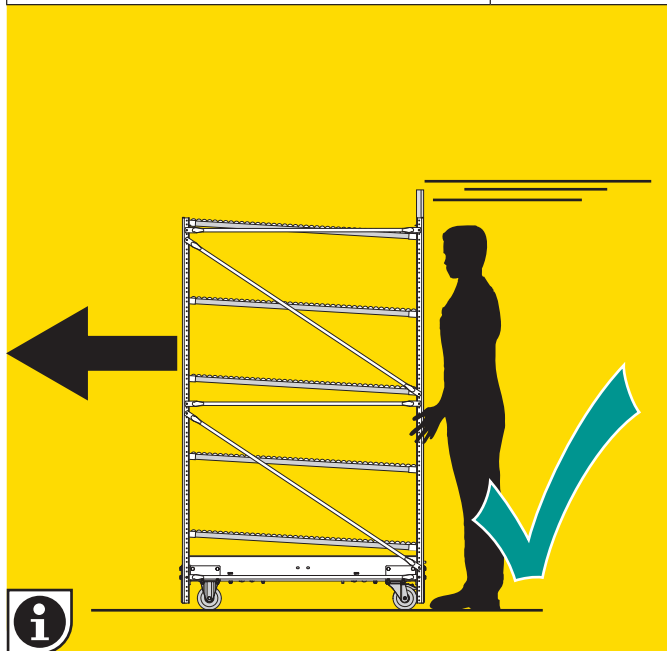
SDS-T solution



! $\Sigma Q \leq Q_{max.}$

$Q_{max.} = 1 \times 1000 \text{ kg!}$

T=TA	max. kg	
	RT 28 mm	RT 42 mm
1.250 mm	50 Kg	50 Kg





WE TAKE THE TIME
TO GIVE ADVICE.

+49 (6753) 122-922

**BITO-LAGERTECHNIK
BITTMANN GMBH**

Obertor 29
D-55590 Meisenheim

Tel. +49 6753 122 - 0
Fax +49 6753 122 - 399

info@bito.com

www.bitto.com



You can also join us online.



www.bitto.com

A **BIT** OF YOUR LIFE.

BITO
LAGERTECHNIK