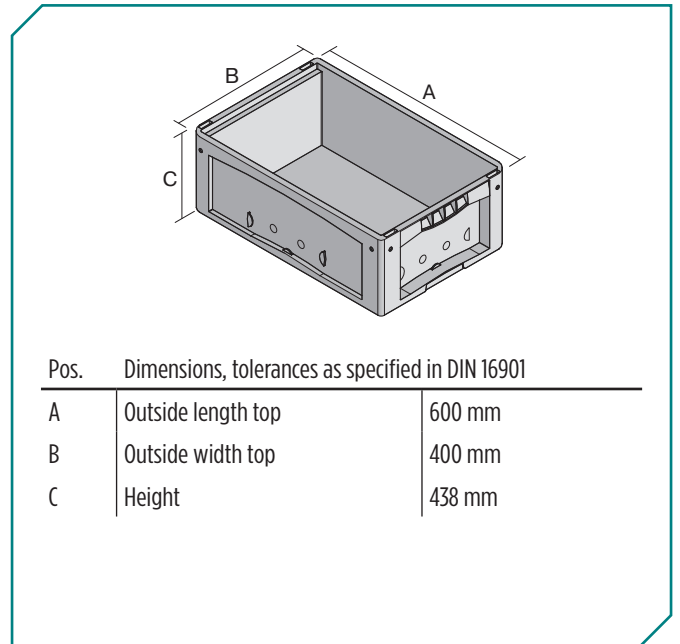


Small parts containers KLT with ribbed base, with hinged two-part lid
KLTD64420R | Data sheet



Product features	*Load capacity as specified in EN 13117
Weight	5.06 kg
*Stacking load	500 kg
*Load capacity	50 kg
Volume	74 litres
Warranty	5 year BITO QUALITY
ESD	ESD version upon request
Temperature range	-20°C to +80°C
Food safety	✓
Material	PP
Stock item	✓
Pcs/pack	1
colour	turquoise
Ref. no.	9-16820

Dimensions, tolerances as specified in DIN 16901	
Outside length top	600 mm
Outside width top	400 mm
Height	438 mm
Inside length top	541 mm
Inside width top	368 mm
Inside height	400 mm

Other colours / special colours on request

Information & Service
www.bito.com



Small parts containers KLT with ribbed base, with hinged two-part lid

KLTD64420R | Accessories



Labels

suited for BITOBOX XL and KLT with a height of at least 170 mm

W 210 x H 74 mm

43-14557



Security seals

for European size stacking containers XL and small parts containers KLT

9-16271



Slot-in divider strips

Material thickness 5 mm

L 1150 x H 50 mm

43-18417



Covers for palletised loads

L 1220 x W 820 mm

9-18421



Label covers

for European size stacking containers XL and small parts containers KLT

W 209 x H 67 mm

9-20053



Label covers

for small parts containers KLT

for European size stacking containers XL

firm fit

W 218 x H 80 mm

9-20054



Transport dollies

rubber wheels

L 620 x W 420 mm

43-21883



Document pockets

self-adhesive

3 sides open

L 175 x W 105 mm

6-5031