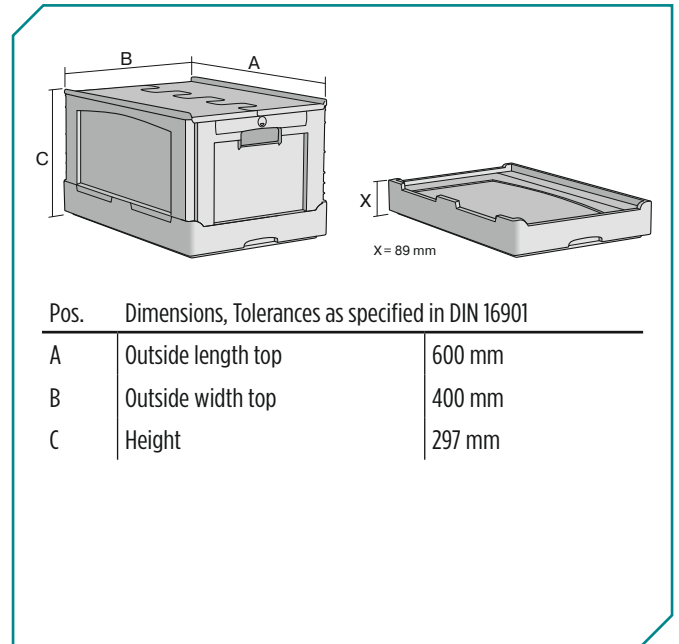


Folding boxes EQ - with fold-up handles, with standard base and hinged two-part lid EQD64281L | Data sheet



Features	*Load capacity as specified in EN 13117
Proper weight	3.02 kg
*Stacking load	180 kg
*Load capacity	20 kg
Volume	57 Litres
Warranty	5 year BITO QUALITY
ESD	No
Temperature range	-20°C to +90°C
Food safety	✓
Material	PP
Stock item	-
Pcs/pack	1
Colour	blue/grey
Ref. no.	51-31474

Dimensions, Tolerances as specified in DIN 16901	
Outside length top	600 mm
Outside width top	400 mm
Height	297 mm
Inside length top	568 mm
Inside width top	368 mm
Inside length base	557 mm
Inside width base	357 mm
Inside height	275 mm

Other colours / special colours on request

Information & Service
www.bitto.com

BITO
STORAGE
SYSTEMS

Folding boxes EQ - with fold-up handles, with standard base and hinged two-part lid

EQD64281L | Accessories



Transport dolly
polypropylene wheels
L 620 x W 420 mm
43-1491



Drop-on lids
suited for BITO folding boxes EQ
L 592 x W 392 mm
51-31437



Security seals
suited for BITO folding boxes EQ
51-31438



Document pockets
self-adhesive
3 sides open
L 175 x W 105 mm
6-5031