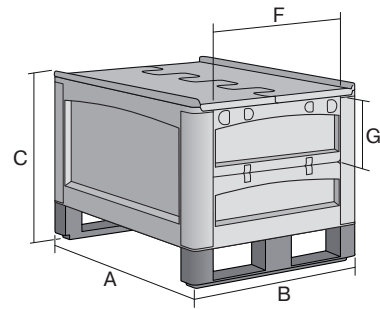


# Heavy duty containers SL, with half-drop door on the short side and with hinged two-part lid

## SLDK86624K | Data sheet



Pos. Dimensions, tolerances as specified in DIN 16901

Pos.	Dimensions, tolerances as specified in DIN 16901	
A	Outside length top	800 mm
B	Outside width top	600 mm
C	Height	741 mm

Product features	*Load capacity as specified in EN 13117
Weight	20.00 kg
*Stacking load	1500 kg
*Load capacity	500 kg
Volume	223 litres
Drainage holes	upon request
Warranty	5 year BITO QUALITY
ESD	No
Food safety	✓
Material	PP

Other colours / special colours on request

Dimensions, tolerances as specified in DIN 16901	
Outside length top	800 mm
Outside width top	600 mm
Height	741 mm
Inside length top	739 mm
Inside width top	539 mm
Inside length base	725 mm
Inside width base	525 mm
Inside height	573 mm
Stacking height	2880 mm
Label dimensions L x W	210 x 60 mm

Printed message	
Pad printing area on short side (front)	250 x 100 mm
Pad printing area on long side	250 x 100 mm
Screen printing area on short side	260 x 100 mm
Screen printing area on long side	460 x 100 mm
Hot foil printing area on short side (front)	250 x 100 mm
Hot foil printing area on long side	250 x 100 mm

Information & Service  
[www.bito.com](http://www.bito.com)

**BITO**  
LAGERTECHNIK

Heavy duty containers SL, with half-drop door on the short side and with hinged two-part lid

## SLDK86624K | Accessories

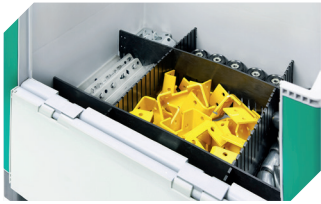


### Non-slip grip matting

for heavy duty containers SL

L 720 x W 520 x H 8 mm

**52-30380**

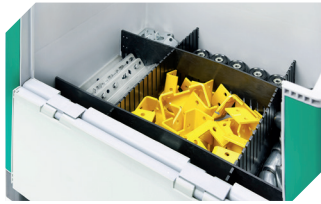


### Slot-in divider strips

crosswise

L 524 x W 5 x H 180 mm

**52-30384**



### Slot-in divider strips

lengthwise

L 724 x W 5 x H 180 mm

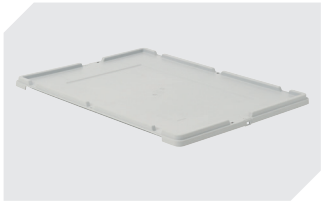
**52-30385**



### Label holders

W 240 x H 80 mm

**52-30386**



### Drop-on lid

L 800 x W 600 mm

**52-30500**



### Document pockets

self-adhesive

3 sides open

L 175 x W 105 mm

**6-5031**