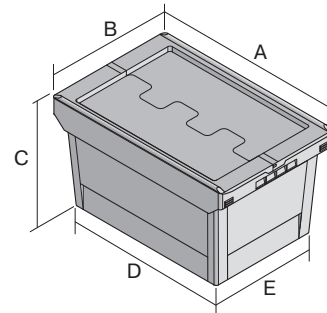


Multi-purpose containers MB, with locking system

MBD64321BS2 | Data sheet



Pos. Dimensions, tolerances as specified in DIN 16901

Pos.	Dimensions, tolerances as specified in DIN 16901	
A	Outside length top	610 mm
B	Outside width top	400 mm
C	Height	340 mm
D	Base length outside	505 mm
E	Base width outside	335 mm

Product features	*Load capacity as specified in EN 13117
Weight	3.67 kg
*Stacking load	300 kg
*Load capacity	35 kg
Volume	58 litres
ESD	No
Food safety	-
Material	PP
Stock item	✓
Pcs/pack	1
colour	dove blue
Ref. no.	6-18128

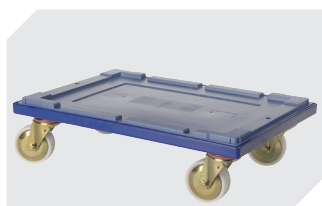
Other colours / special colours on request

Dimensions, tolerances as specified in DIN 16901	
Outside length top	610 mm
Outside width top	400 mm
Height	340 mm

Information & Service
www.bitocom



Multi-purpose containers MB, with locking system **MBD64321BS2** | Accessories



Transport dollies

for multi-purpose containers sized

600 x 400 mm

L 620 x W 420 mm

6-15510

Information & Service
www.bitto.com

BITO
S T O R A G E
S Y S T E M S