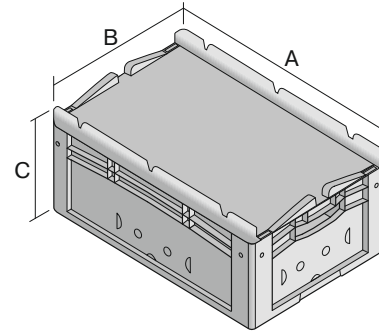
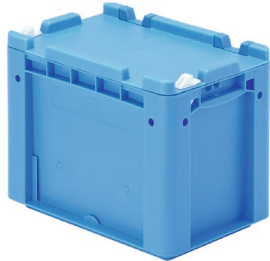


European size stacking containers XL, hinged on one side and closed with 2 snap-on fixtures on the other side

XL3221ASDV | Data sheet



| Pos. | Dimensions, Tolerances as specified in DIN 16901 | |
|------|--|--------|
| A | Outside length top | 300 mm |
| B | Outside width top | 200 mm |
| C | Height | 238 mm |

| Features | *Load capacity as specified in EN 13117 |
|-------------------|---|
| Proper weight | 0.97 kg |
| *Load capacity | 15 kg |
| Volume | 8.3 Litres |
| Warranty | 5 year BITO QUALITY |
| ESD | ESD version upon request |
| Temperature range | -20°C to +90°C |
| Food safety | ✓ |
| Material | PP |
| Stock item | ✓ |
| Pcs/pack | 1 |
| Colour | blue |
| Ref. no. | 43-30413 |

| Dimensions, Tolerances as specified in DIN 16901 | |
|--|--------|
| Outside length top | 300 mm |
| Outside width top | 200 mm |
| Height | 238 mm |
| Inside length top | 268 mm |
| Inside width top | 168 mm |
| Inside height | 217 mm |

Other colours / special colours on request

European size stacking containers XL, hinged on one side and closed with 2 snap-on fixtures on the other side

XL32221ASDV | Accessories



Covers for palletised containers

L 1220 x W 820 mm

9-18421