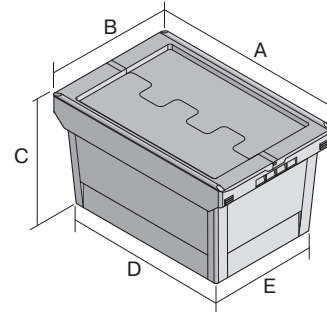


Multi-purpose containers MB, with hinged interlocking lid suited for strap-sealing MBDU84421 | Data sheet



Pos. Dimensions, tolerances as specified in DIN 16901

Pos.	Dimensions, tolerances as specified in DIN 16901	
A	Outside length top	810 mm
B	Outside width top	400 mm
C	Height	449 mm
D	Base length outside	705 mm
E	Base width outside	335 mm

Product features	*Load capacity as specified in EN 13117
Weight	5.97 kg
*Stacking load	200 kg
*Load capacity	35 kg
Volume	102 litres
Warranty	5 year BITO QUALITY
ESD	ESD version upon request
Temperature range	-20°C to +80°C
Food safety	✓
Material	PP
Stock item	✓
Pcs/pallet	42
Pcs/pack	1
colour	dove blue
Ref. no.	6-22648

Other colours / special colours on request

Dimensions, tolerances as specified in DIN 16901	
Outside length top	810 mm
Outside width top	400 mm
Height	449 mm
Inside length top	740 mm
Inside width top	367 mm
Inside length base	697 mm
Inside width base	324 mm
Inside height	400 mm
Height of stacking rim	100 mm

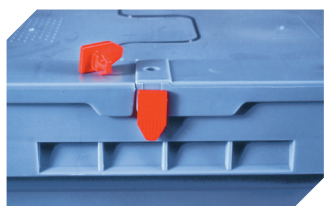
Printed message	
Pad printing area on short side (front)	240 x 100 mm
Pad printing area on short side (rear)	240 x 100 mm
Pad printing area on long side	250 x 100 mm
Screen printing area on short side	210 x 180 mm
Screen printing area on short side (rear)	210 x 180 mm
Screen printing area on long side	580 x 160 mm
Hot foil printing area on short side (front)	240 x 100 mm
Hot foil printing area on short side (rear)	240 x 100 mm
Hot foil printing area on long side	250 x 100 mm
Injection mold printing area on long side	235 x 70 mm

Information & Service
www.bito.com

BITO
STORAGE
SYSTEMS

Multi-purpose containers MB, with hinged interlocking lid suited for strap-sealing

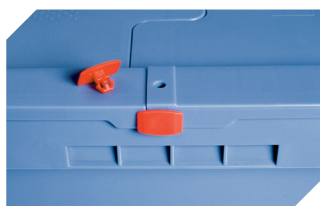
MBDU84421 | Accessories



Security seals
MBP1 - suited for BITOBOX MB
6-10810



Connector clips
6-15625



Security seals
MBP2 - suited for BITOBOX MB
6-15705



Security seals
MBP2-L - suited for BITOBOX MB,
XL, SL
6-19162



Locking clips
suited for BITOBOX MB
6-20299



Document pockets
self-adhesive
2 sides open
L 145 x W 100 mm
46-21108



Barcoded security seals
MBP3 - suited for BITOBOX MBs in all
sizes and XLs 800 x 600 mm
6-31550



Document pockets
self-adhesive
3 sides open
L 175 x W 105 mm
6-5031