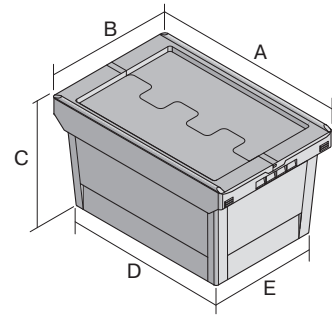


Multi-purpose containers MB with double base, with rubber tyred swivel castors and hinged two-part lid

MBD86421DROLL-G | Data sheet



Pos. Dimensions, tolerances as specified in DIN 16901

| | | |
|---|--------------------|--------|
| A | Outside length top | 800 mm |
| B | Outside width top | 600 mm |
| C | Height | 553 mm |

Product features *Load capacity as specified in EN 13117

| | |
|-------------------|---------------------|
| Weight | 10.66 kg |
| *Stacking load | 200 kg |
| *Load capacity | 50 kg |
| Volume | 151 litres |
| Warranty | 5 year BITO QUALITY |
| ESD | No |
| Temperature range | -20°C to +80°C |
| Food safety | ✓ |
| Material | PP |
| Stock item | ✓ |
| Pcs/pack | 1 |
| colour | dove blue |
| Ref. no. | 6-19490 |

Other colours / special colours on request

Dimensions, tolerances as specified in DIN 16901

| | |
|--------------------|--------|
| Outside length top | 800 mm |
| Outside width top | 600 mm |
| Height | 553 mm |

Information & Service
www.bitto.com

BITO
STORAGE
SYSTEMS

Multi-purpose containers MB with double base, with rubber tyred swivel castors and hinged two-part lid

MBD8642IDROLL-G | Accessories



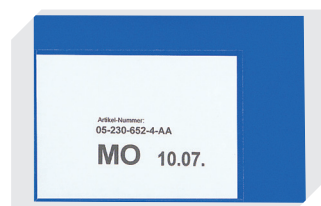
Label covers
for multi-purpose containers MB
W 60 x H 80.4 mm
6-15244



Connector clips
6-15625



Transport dollies
for multi-purpose containers sized
800 x 400 mm and 800 x 600 mm
L 720 x W 540 mm
6-19439



Document pockets
self-adhesive
2 sides open
L 145 x W 100 mm
46-21108



Document pockets
self-adhesive
3 sides open
L 175 x W 105 mm
6-5031