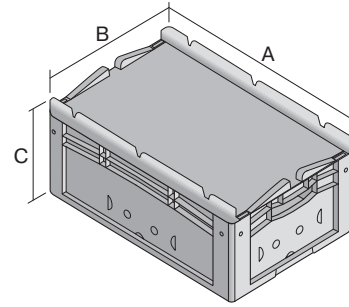


European size stacking containers XL, hinged on one side and closed with 2 snap locks on the other side

XL43121ASDV | Data sheet



Pos. Dimensions, tolerances as specified in DIN 16901

| | | |
|---|--------------------|--------|
| A | Outside length top | 400 mm |
| B | Outside width top | 300 mm |
| C | Height | 138 mm |

| Product features | *Load capacity as specified in EN 13117 |
|-------------------|---|
| Weight | 1.35 kg |
| *Stacking load | 250 kg |
| *Load capacity | 30 kg |
| Volume | 9.7 litres |
| Warranty | 5 year BITO QUALITY |
| ESD | ESD version upon request |
| Temperature range | -20°C to +80°C |
| Food safety | ✓ |
| Material | PP |
| Stock item | ✓ |
| Pcs/pack | 1 |
| colour | blue |
| Ref. no. | 43-22258 |

Other colours / special colours on request

| Dimensions, tolerances as specified in DIN 16901 | |
|--|-------------|
| Outside length top | 400 mm |
| Outside width top | 300 mm |
| Height | 138 mm |
| Inside length top | 368 mm |
| Inside width top | 268 mm |
| Inside length base | 359 mm |
| Inside width base | 259 mm |
| Inside height | 117 mm |
| Printed message | |
| Pad printing area on long side | 10 x 230 mm |
| Hot foil printing area on long side | 10 x 230 mm |
| Injection mold printing area on long side | 25 x 135 mm |

Information & Service
www.bito.com

BITO
LAGERTECHNIK

European size stacking containers XL, hinged on one side and closed with 2 snap locks on the other side

XL43121ASDV | Accessories



Covers for palletised loads

L 1220 x W 820 mm

9-18421

Information & Service
www.bito.com

BITO
LAGERTECHNIK