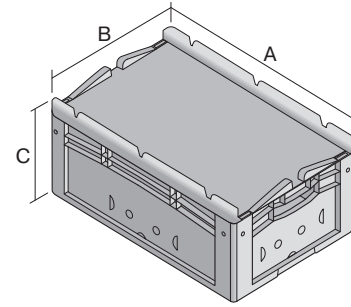


European size stacking containers XL, hinged on one side and closed with 2 snap-on fixtures on the other side

## XL43221ASDV | Data sheet



Pos. Dimensions, tolerances as specified in DIN 16901

Pos.	Dimensions, tolerances as specified in DIN 16901	
A	Outside length top	400 mm
B	Outside width top	300 mm
C	Height	238 mm

Product features	*Load capacity as specified in EN 13117
Weight	1.72 kg
*Stacking load	250 kg
*Load capacity	30 kg
Volume	19 litres
Warranty	5 year BITO QUALITY
ESD	ESD version upon request
Temperature range	-20°C to +90°C
Food safety	✓
Material	PP
Stock item	✓
Pcs/pack	1
colour	blue
Ref. no.	43-22260

Other colours / special colours on request

Dimensions, tolerances as specified in DIN 16901	
Outside length top	400 mm
Outside width top	300 mm
Height	238 mm
Inside length top	368 mm
Inside width top	268 mm
Inside length base	359 mm
Inside width base	259 mm
Inside height	217 mm

Printed message	
Pad printing area on short side (front)	40 x 180 mm
Pad printing area on short side (rear)	40 x 180 mm
Pad printing area on long side	40 x 230 mm
Hot foil printing area on short side (front)	40 x 180 mm
Hot foil printing area on short side (rear)	40 x 230 mm
Hot foil printing area on long side	40 x 230 mm
Injection mold printing area on long side	25 x 130 mm

Information & Service  
[www.bitto.com](http://www.bitto.com)

**BITO**  
 LAGERTECHNIK

European size stacking containers XL, hinged on one side and closed with 2 snap-on fixtures on the other side

## XL43221ASDV | Accessories



### Covers for palletised loads

L 1220 x W 820 mm

**9-18421**



### Grip closures

for European size stacking containers XL  
with a height of 170, 220 and 270 mm

**43-31450**