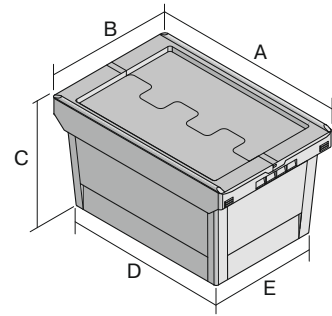


Multi-purpose containers MB - Mail custom solution, with hinged two-part lid

MBD64221POST | Data sheet



Pos. Dimensions, tolerances as specified in DIN 16901

Pos.	Dimensions, tolerances as specified in DIN 16901	
A	Outside length top	610 mm
B	Outside width top	400 mm
C	Height	240 mm
D	Base length outside	505 mm
E	Base width outside	335 mm

Product features	*Load capacity as specified in EN 13117
Proper weight	2.77 kg
*Load capacity	30 kg
Volume	38 Litres
ESD	No
Food safety	-
Material	PP
Stock item	-
Pcs/pack	1
Colour	RAL 1007 Daffodil yellow
Ref. no.	6-17266

Dimensions, tolerances as specified in DIN 16901	
Outside length top	610 mm
Outside width top	400 mm
Height	240 mm

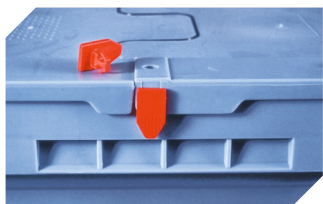
Other colours / special colours on request

Information & Service
www.bitocom

BITO
 STORAGE
 SYSTEMS

Multi-purpose containers MB - Mail custom solution, with hinged two-part lid

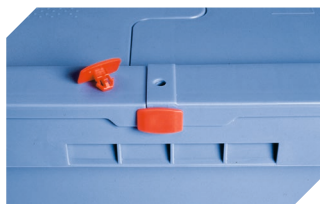
MBD64221POST | Accessories



Security seals
MBP1 - suited for BITOBOX MB
6-10810



Transport dolly
for multi-purpose containers sized
600 x 400 mm
L 620 x W 420 mm
6-15510



Security seals
MBP2 - suited for BITOBOX MB
6-15705



Security seals
MBP2-N - suited for BITOBOX MB,
XL, SL
6-19162



Locking clips
suited for BITOBOX MB
6-20299



Barcoded security seals
MBP3 - suited for BITOBOX MB and XL
800 x 600 mm
6-31550