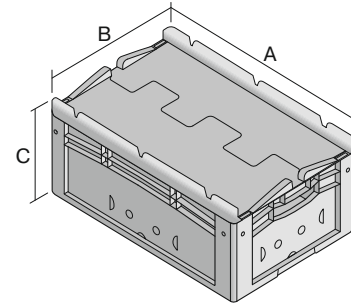


European size stacking containers XL with ribbed base RX, with hinged two-part lid XLD64221RX | Data sheet



Pos. Dimensions, Tolerances as specified in DIN 16901

Pos.	Dimensions, Tolerances as specified in DIN 16901	
A	Outside length top	600 mm
B	Outside width top	400 mm
C	Height	238 mm

Features	*Load capacity as specified in EN 13117
Proper weight	3.06 kg
*Stacking load	300 kg
*Load capacity	50 kg
Volume	38 Litres
Warranty	5 year BITO QUALITY
ESD	ESD version upon request
Temperature range	-20°C to +90°C
Food safety	✓
Material	PP
Stock item	-
Pcs/pack	1
Colour	blue
Ref. no.	43-30269

Other colours / special colours on request

Dimensions, Tolerances as specified in DIN 16901	
Outside length top	600 mm
Outside width top	400 mm
Height	238 mm
Inside length top	568 mm
Inside width top	368 mm
Inside length base	559 mm
Inside width base	359 mm
Inside height	202 mm

Printed message	
Pad printing area on short side (front)	40 x 250 mm
Pad printing area on short side (rear)	40 x 250 mm
Pad printing area on long side	40 x 250 mm
Hot foil printing area on short side (front)	40 x 250 mm
Hot foil printing area on short side (rear)	40 x 250 mm
Hot foil printing area on long side	40 x 250 mm
Injection mold printing area on long side	25 x 180 mm

Information & Service
www.bitto.com

BITO
STORAGE
SYSTEMS

European size stacking containers XL with ribbed base RX, with hinged two-part lid XLD64221RX | Accessories



Security seals

for European size stacking containers XL
and small parts containers KLT

9-16271



Covers for palletised containers

L 1220 x W 820 mm

9-18421



Drop-on lids

for European size stacking containers XL

L 600 x W 400 mm

43-20301



Drop-on lids

for European size stacking containers XL

L 600 x W 400 mm

43-20494



Transport dolly

rubber wheels

L 620 x W 420 mm

43-21883



Grip closures

suited for bins with a height of 170,
220 and 270 mm

43-31450