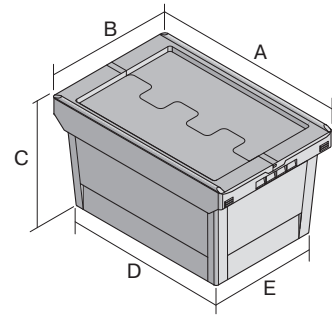


Multi-purpose containers MB, with locking system

MBD86421D BS1 | Data sheet



Pos. Dimensions, tolerances as specified in DIN 16901

Pos.	Dimensions, tolerances as specified in DIN 16901	
A	Outside length top	800 mm
B	Outside width top	600 mm
C	Height	453 mm
D	Base length outside	690 mm
E	Base width outside	508 mm

Product features

Weight	9.39 kg
*Stacking load	300 kg
*Load capacity	200 kg
Volume	147 litres
ESD	No
Food safety	-
Material	PP
Stock item	-
Pcs/pack	1
colour	bin colour dove blue - base in black
Ref. no.	6-20293

Dimensions, tolerances as specified in DIN 16901

Outside length top	800 mm
Outside width top	600 mm
Height	453 mm
Inside length base	682 mm
Inside width base	500 mm

Other colours / special colours on request

All written or verbal information about product properties and product application are given to the best of our knowledge. This information is based on our experience and cannot be warranted as the sole binding product properties. It is the customer's responsibility to check whether the ordered goods are suitable for the intended use. All measurements are subject to variations within the scope of the applicable manufacturing tolerances.

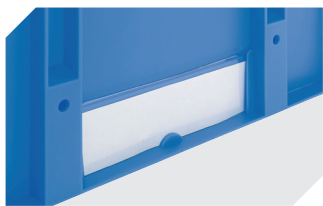
* Load capacity data according to EN 13117 refer to an ambient temperature of 23 °C.

Information & Service
www.bito.com

BITO
 STORAGE
 SYSTEMS

Multi-purpose containers MB, with locking system

MBD86421D BS1 | Accessories



Label covers
for multi-purpose containers MB
W 60 x H 80.4 mm
6-15244



Transport dollies
for multi-purpose containers sized
800 x 400 mm and 800 x 600 mm
L 720 x W 540 mm
6-19439