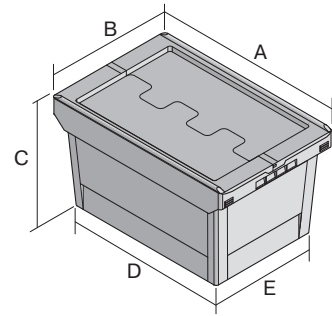


# Multi-purpose containers MB, with hinged two-part lid

## MBD64421 | Data sheet



Pos. Dimensions, tolerances as specified in DIN 16901

Pos.	Dimensions, tolerances as specified in DIN 16901	
A	Outside length top	610 mm
B	Outside width top	400 mm
C	Height	440 mm
D	Base length outside	505 mm
E	Base width outside	335 mm

Product features	*Load capacity as specified in EN 13117
Weight	4.46 kg
*Stacking load	200 kg
*Load capacity	35 kg
Volume	74 litres
Warranty	5 year BITO QUALITY
ESD	ESD version upon request
Temperature range	-20°C to +80°C
Food safety	✓
Material	PP
Stock item	✓
Pcs/pallet	56
Pcs/pack	1
colour	dove blue
Ref. no.	6-11122

Other colours / special colours on request

Dimensions, tolerances as specified in DIN 16901	
Outside length top	610 mm
Outside width top	400 mm
Height	440 mm
Inside length top	540 mm
Inside width top	371 mm
Inside length base	498 mm
Inside width base	329 mm
Height of stacking rim	100 mm

Printed message	
Pad printing area on short side (front)	240 x 100 mm
Pad printing area on short side (rear)	240 x 100 mm
Pad printing area on long side	250 x 100 mm
Screen printing area on short side	210 x 180 mm
Screen printing area on short side (rear)	210 x 180 mm
Screen printing area on long side	380 x 160 mm
Hot foil printing area on short side (front)	240 x 100 mm
Hot foil printing area on short side (rear)	240 x 100 mm
Hot foil printing area on long side	250 x 100 mm
Injection mold printing area on long side	235 x 70 mm

Information & Service  
[www.bitto.com](http://www.bitto.com)

**BITO**  
 STORAGE  
 SYSTEMS

# Multi-purpose containers MB, with hinged two-part lid

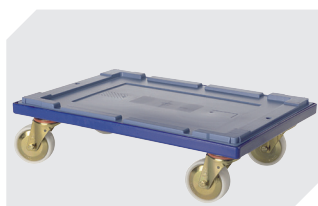
## MBD64421 | Accessories



**Security seals**  
MBP1 - suited for BITOBOX MB  
**6-10810**



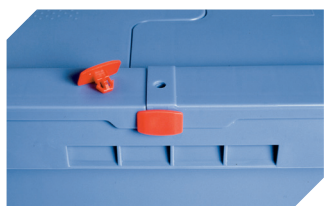
**Rails for A4 hanging files**  
for multi-purpose containers MB  
**6-11920**



**Transport dollies**  
for multi-purpose containers sized  
600 x 400 mm  
L 620 x W 420 mm  
**6-15510**



**Connector clips**  
**6-15625**



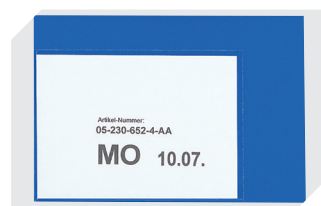
**Security seals**  
MBP2 - suited for BITOBOX MB  
**6-15705**



**Security seals**  
MBP2-L - suited for BITOBOX MB,  
XL, SL  
**6-19162**



**Locking clips**  
suited for BITOBOX MB  
**6-20299**



**Document pockets**  
self-adhesive  
2 sides open  
L 145 x W 100 mm  
**46-21108**



**Barcoded security seals**  
MBP3 - suited for BITOBOX MBs in all  
sizes and XLs 800 x 600 mm  
**6-31550**



**Document pockets**  
self-adhesive  
3 sides open  
L 175 x W 105 mm  
**6-5031**