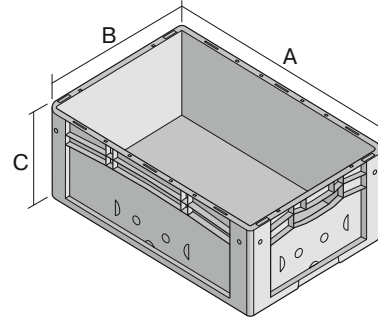


# European size stacking containers XL with double base

## XL64221D | Data sheet



| Pos. | Dimensions, Tolerances as specified in DIN 16901 |        |
|------|--|--------|
| A    | Outside length top                               | 600 mm |
| B    | Outside width top                                | 400 mm |
| C    | Height   | 220 mm |

| Features          | *Load capacity as specified in EN 13117 |
|-------------------|---|
| Proper weight     | 2.42 kg                                 |
| *Stacking load    | 300 kg                                  |
| *Load capacity    | 100 kg                                  |
| Volume            | 40 Litres                               |
| Warranty          | 5 year BITO QUALITY                     |
| ESD               | ESD version upon request                |
| Temperature range | -20°C to +60°C                          |
| Food safety       | -                                       |
| Material          | PP                                      |
| Stock item        | -                                       |
| Pcs/pack          | 1                                       |
| Colour            | blue                                    |
| Ref. no.          | 43-19031                                |

| Dimensions, Tolerances as specified in DIN 16901 |        |
|--|--------|
| Outside length top                               | 600 mm |
| Outside width top                                | 400 mm |
| Height   | 220 mm |
| Inside length top                                | 568 mm |
| Inside width top                                 | 368 mm |
| Inside length base                               | 559 mm |
| Inside width base                                | 359 mm |
| Inside height                                    | 202 mm |

Other colours / special colours on request

| Printed message                              |             |
|--|-------------|
| Pad printing area on short side (front)      | 40 x 250 mm |
| Pad printing area on short side (rear)       | 40 x 250 mm |
| Pad printing area on long side               | 40 x 250 mm |
| Hot foil printing area on short side (front) | 40 x 250 mm |
| Hot foil printing area on short side (rear)  | 40 x 250 mm |
| Hot foil printing area on long side          | 40 x 250 mm |
| Injection mold printing area on long side    | 40 x 250 mm |

# European size stacking containers XL with double base

## XL64221D | Accessories



**Covers for palletised containers**  
L 1220 x W 820 mm  
**9-18421**



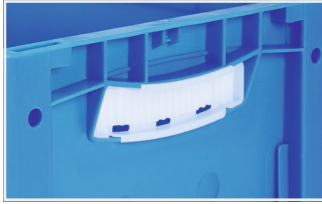
**Drop-on lids**  
for European size stacking  
containers XL  
L 600 x W 400 mm  
**43-20301**



**Drop-on lids**  
for European size stacking  
containers XL  
L 600 x W 400 mm  
**43-20494**



**Transport dolly**  
rubber wheels  
L 620 x W 420 mm  
**43-21883**



**Grip closures**  
suited for bins with a height of 170,  
220 and 270 mm  
**43-31450**