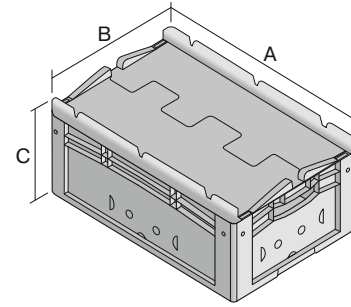


# European size stacking containers XL, with hinged two-part lid

## XLD86521 | Data sheet



Pos. Dimensions, Tolerances as specified in DIN 16901

Pos.	Dimensions, Tolerances as specified in DIN 16901	
A	Outside length top	800 mm
B	Outside width top	600 mm
C	Height	538 mm

Features	*Load capacity as specified in EN 13117
Proper weight	10.15 kg
*Stacking load	800 kg
*Load capacity	60 kg
Volume	213 Litres
Warranty	5 year BITO QUALITY
ESD	ESD version upon request
Temperature range	-20°C to +90°C
Food safety	✓
Material	PP
Stock item	✓
Pcs/pack	1
Colour	blue
Ref. no.	43-22577

Other colours / special colours on request

Dimensions, Tolerances as specified in DIN 16901	
Outside length top	800 mm
Outside width top	600 mm
Height	538 mm
Inside length top	762 mm
Inside width top	562 mm
Inside height	515 mm

Printed message	
Pad printing area on short side (front)	100 x 180 mm
Pad printing area on short side (rear)	100 x 180 mm
Pad printing area on long side	100 x 180 mm
Hot foil printing area on short side (front)	100 x 180 mm
Hot foil printing area on short side (rear)	100 x 180 mm
Hot foil printing area on long side	100 x 180 mm
Injection mold printing area on long side	25 x 100 mm

Information & Service  
[www.bitto.com](http://www.bitto.com)

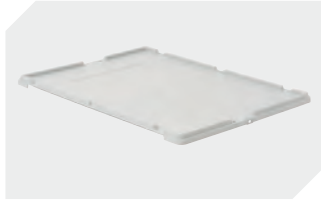
**BITO**  
 STORAGE  
 SYSTEMS

# European size stacking containers XL, with hinged two-part lid

## XLD86521 | Accessories



**Transport dolly**  
for containers sized 800 x 600 mm  
L 800 x W 600 mm  
**43-1150**



**Drop-on lid**  
for European size stacking containers XL  
L 800 x W 600 mm  
**43-14853**



**Security seals**  
MBP2 - suited for BITOBOX MB  
**6-15705**



**Covers for palletised containers**  
L 1220 x W 820 mm  
**9-18421**